

4 3 2 1

F

F

E

E

D

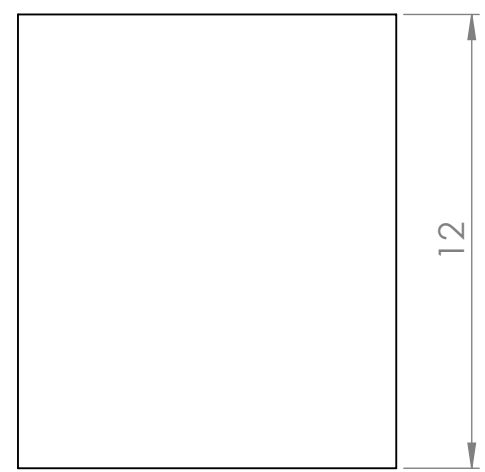
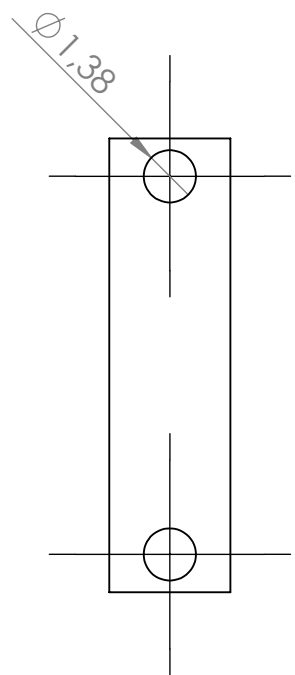
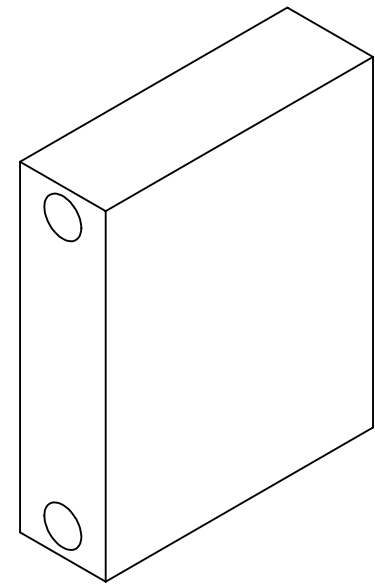
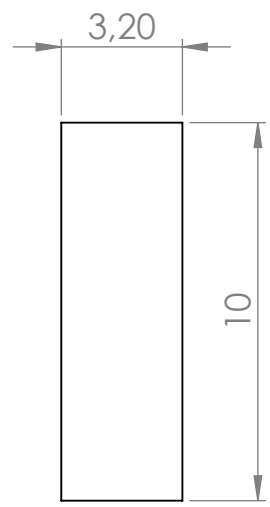
D

C

C

B

B



UNLESS OTHERWISE SPECIFIED: DIMENSIONS ARE IN MILLIMETERS SURFACE FINISH: TOLERANCES: LINEAR: ANGULAR:	FINISH:	DEBURR AND BREAK SHARP EDGES	DO NOT SCALE DRAWING	REVISION

NAME	SIGNATURE	DATE	TITLE:
DRAWN			
CHK'D			
APPV'D			
MFG			
Q.A			

MATERIAL:	DWG NO.	A4
WEIGHT:	SCALE:5:1	

Protótipo

SHEET 1 OF 1

4 3 2 1

A

A