

PLC_1 [CPU 1212C DC/DC/DC]

PLC_1

General\Project information

Name	PLC_1	Author	Tiago
Comment		PositionNumber	1

General\Catalog information

Short designation	CPU 1212C DC/DC/DC	Description	Work memory 25 KB; 24VDC power supply with DI8 x 24VDC SINK/SOURCE, DQ6 x 24VDC and AI2 on board; 4 high-speed counters (expandable with digital signal board) and 2 pulse outputs on board; signal board expands on-board I/O; up to 3 communications modules for serial communication; up to 2 signal modules for I/O expansion; 0.1 ms/1000 instructions; PROFINET interface for programming, HMI and PLC to PLC communication
Order number	6ES7 212-1AD30-0XB0	Firmware version	V2.2

PROFINET interface\General\Project information

Name	PROFINET interface_1	Comment	
-------------	----------------------	----------------	--

PROFINET interface\Anchor (ParameterNode_E1_Menu)

The TreeNode Parameter-Node_E1_Menu was not filled by some ACF			
--	--	--	--

PROFINET interface\Advanced\Anchor (ParameterInterfaceOptionsMenu)

The TreeNode ParameterInterfaceOptionsMenu was not filled by some ACF			
---	--	--	--

PROFINET interface\Advanced\Anchor (ParameterRealtimeSettingsMenu)

The TreeNode ParameterRealtimeSettingsMenu was not filled by some ACF			
---	--	--	--

PROFINET interface\Advanced\Port (X1) (P1)\General\Project information

Name	Port_1	Comment	
-------------	--------	----------------	--

PROFINET interface\Advanced\Port (X1) (P1)\Anchor (PortInterconnectionMenu)

The TreeNode PortInterconnectionMenu was not filled by some ACF			
---	--	--	--

PROFINET interface\Advanced\Port (X1) (P1)\Anchor (PortOptionsMenu)

The TreeNode PortOptionsMenu was not filled by some ACF			
---	--	--	--

Owner	Project name	Abastecimento de água V11 - 1212C - Final	Date	6/21/2012
Operator	Project Path	D:\Documents and Settings\Tiago\Desktop\Dissertação Mestrado V11\Abastecimento de água V11 - 1212C - Final		
Designed By	Description 1st			
Checked By	Description 2nd	Language	en-US	
Approved By	1st View	Version	Sheet 1 - 1	

A

PROFINET interface\Advanced\Port (X1) (P1)\Hardware identifier\Hardware identifier			
Hardware identifier		65	
PROFINET interface\Time synchronization			
Enable time-of-day synchronization using NTP mode	Enable time-of-day synchronization in NTP mode.	Server 1	0.0.0.0
Server 2	0.0.0.0	Server 3	0.0.0.0
Server 4	0.0.0.0	Update interval	10sec

B

IO address overview			
outputs		true	
inputs		true	
outputs		true	
Type	AddrFrom	AddrTo	Module
true	true	true	true
PIP	DP	PN	Rack
true	true	true	true
Slot			
true			

C

DI8/DQ6\General\Project information			
Name	DI8/DQ6_1		Comment
DI8/DQ6\Digital inputs\Input filters			
I0.0 - I0.3	6.40ms		I0.4 - I0.7
			6.40ms

D

DI8/DQ6\Digital inputs\Channel0			
Channel address	I0.0		Enable rising edge detection
			0
Enable falling edge detection	0		Enable pulse catch
			0
DI8/DQ6\Digital inputs\Channel1			
Channel address	I0.1		Enable rising edge detection
			0
Enable falling edge detection	0		Enable pulse catch
			0

E

DI8/DQ6\Digital inputs\Channel2			
Channel address	I0.2		Enable rising edge detection
			0
Enable falling edge detection	0		Enable pulse catch
			0
DI8/DQ6\Digital inputs\Channel3			
Channel address	I0.3		Enable rising edge detection
			0
Enable falling edge detection	0		Enable pulse catch
			0
DI8/DQ6\Digital inputs\Channel4			
Channel address	I0.4		Enable rising edge detection
			0
Enable falling edge detection	0		Enable pulse catch
			0
DI8/DQ6\Digital inputs\Channel5			
Channel address	I0.5		Enable rising edge detection
			0
Enable falling edge detection	0		Enable pulse catch
			0
DI8/DQ6\Digital inputs\Channel6			
Channel address	I0.6		Enable rising edge detection
			0
Enable falling edge detection	0		Enable pulse catch
			0

F

Owner	Project name Abastecimento de água V11 - 1212C - Final	Date 6/21/2012
Operator	Project Path D:\Documents and Settings\Tiago\Desktop\Dissertação Mestrado V11\Abastecimento de água V11 - 1212C - Final	
	Location	
Designed By	Description 1st	
Checked By	Description 2nd	Language en-US
Approved By	1st View	Version
		Sheet 1 - 2

A

DI8/DQ6\Digital inputs\Channel7			
Channel address	I0.7	Enable rising edge detection	0
Enable falling edge detection	0	Enable pulse catch	0

B

DI8/DQ6\Digital outputs\Channel0			
Channel address	Q0.0	Substitute a value of 1 on a change from RUN to STOP.	0
DI8/DQ6\Digital outputs\Channel1			
Channel address	Q0.1	Substitute a value of 1 on a change from RUN to STOP.	0
DI8/DQ6\Digital outputs\Channel2			
Channel address	Q0.2	Substitute a value of 1 on a change from RUN to STOP.	0

C

DI8/DQ6\Digital outputs\Channel3			
Channel address	Q0.3	Substitute a value of 1 on a change from RUN to STOP.	0
DI8/DQ6\Digital outputs\Channel4			
Channel address	Q0.4	Substitute a value of 1 on a change from RUN to STOP.	0
DI8/DQ6\Digital outputs\Channel5			
Channel address	Q0.5	Substitute a value of 1 on a change from RUN to STOP.	0

D

DI8/DQ6\I/O addresses\Input addresses			
Start address	0	End address	0
Process image	Cyclic PI		
DI8/DQ6\I/O addresses\Output addresses			
Start address	0	End address	0
Process image	Cyclic PI		

E

DI8/DQ6\Hardware identifier\Hardware identifier			
Hardware identifier	265		
AI2\General\Project information			
Name	AI2_1	Comment	
AI2\Analog inputs\Noise reduction			
Integration time	50 Hz (20 ms)		
AI2\Analog inputs\Channel0			
Channel address	IW64	Measurement type	Voltage
Voltage range	0 to 10 V	Smoothing	Weak (4 cycles)
		Enable overflow diagnostics	1
AI2\Analog inputs\Channel1			
Channel address	IW66	Measurement type	Voltage
Voltage range	0 to 10 V	Smoothing	Weak (4 cycles)

F

Owner	Project name Abastecimento de água V11 - 1212C - Final	Date 6/21/2012
Operator	Project Path D:\Documents and Settings\Tiago\Desktop\Dissertação Mestrado V11\Abastecimento de água V11 - 1212C - Final	
Designed By	Location	
Checked By	Description 1st	Language en-US
Approved By	Description 2nd	Version
	1st View	Sheet 1 - 3

A

		Enable overflow diagnostics	1
--	--	-----------------------------	---

AI2\I/O addresses\Input addresses			
--	--	--	--

Start address	64	End address	67
---------------	----	-------------	----

Process image	Cyclic PI		
---------------	-----------	--	--

AI2\Hardware identifier\Hardware identifier			
--	--	--	--

Hardware identifier	264		
---------------------	-----	--	--

AQ1 signal board\General\Project information			
---	--	--	--

Name	AQ1 x 12 bits_1	Comment	
------	-----------------	---------	--

AQ1 signal board\Analog outputs			
--	--	--	--

Reaction to CPU STOP	Use substitute value		
----------------------	----------------------	--	--

B

AQ1 signal board\Analog outputs\Channel0			
---	--	--	--

Channel address	QW80	Analog output type	Voltage
-----------------	------	--------------------	---------

Voltage range	+/- 10 V	Substitute value for channel on a change from RUN to STOP	0V
---------------	----------	---	----

		Enable short-circuit diagnostics	1
--	--	----------------------------------	---

		Enable underflow diagnostics	1
--	--	------------------------------	---

AQ1 signal board\I/O addresses\Output addresses			
--	--	--	--

Start address	80	End address	81
---------------	----	-------------	----

Process image	Cyclic PI		
---------------	-----------	--	--

C

AQ1 signal board\Hardware identifier\Hardware identifier			
---	--	--	--

Hardware identifier	268		
---------------------	-----	--	--

High speed counters (HSC)High speed counter (HSC)1\General\Enable			
--	--	--	--

Enable this high speed counter	0		
--------------------------------	---	--	--

High speed counters (HSC)High speed counter (HSC)1\General\Project information			
---	--	--	--

Name	HSC_1	Comment	
------	-------	---------	--

High speed counters (HSC)High speed counter (HSC)1\Function			
--	--	--	--

Type of counting	Count	Operating phase	Single phase
------------------	-------	-----------------	--------------

Input source	Integrated CPU input		
--------------	----------------------	--	--

Counting direction is specified by	User program (internal direction control)	Initial counting direction	Count up
------------------------------------	---	----------------------------	----------

		Frequency measuring period	-/sec
--	--	----------------------------	-------

High speed counters (HSC)High speed counter (HSC)1\Reset to initial values\Reset values			
--	--	--	--

Initial counter value	0	Initial reference value	0
-----------------------	---	-------------------------	---

High speed counters (HSC)High speed counter (HSC)1\Reset to initial values\Reset options			
---	--	--	--

Use external reset input	0	Reset signal level	-/-
--------------------------	---	--------------------	-----

High speed counters (HSC)High speed counter (HSC)1\Event configuration\			
--	--	--	--

Generate interrupt for counter value equals reference value event.	0	RidPrefixCvE-qualsPv	49152
--	---	----------------------	-------

Event name	0	Hardware interrupt	0
------------	---	--------------------	---

D

E

F

Owner	Project name Abastecimento de água V11 - 1212C - Final	Date 6/21/2012
Operator	Project Path D:\Documents and Settings\Tiago\Desktop\Dissertação Mestrado V11\Abastecimento de água V11 - 1212C - Final	
Designed By	Location	
Checked By	Description 1st	Language en-US
Approved By	Description 2nd	Version
	1st View	Sheet 1 - 4

A

Counter value equal to reference value0	Counter value equal to reference value0	ValueNull	0
---	---	-----------	---

B

High speed counters (HSC)\High speed counter (HSC)1\Event configuration\			
Generate interrupt for external reset event.	0	RidPrefixExternal-Reset	49408
Event name	0	Hardware interrupt	0
External reset0	External reset0	ValueNull	0
EventPriority	6		

C

High speed counters (HSC)\High speed counter (HSC)1\Event configuration\			
Generate interrupt for change of direction event.	0	RidPrefixDirection-Change	49280
Event name	0	Hardware interrupt	0
Change of direction0	Change of direction0	ValueNull	0
EventPriority	6		
High speed counters (HSC)\High speed counter (HSC)1\Hardware inputs			
Clock generator input	---	Direction input	---
Reset input	---	Speed	100.00000kHz
High speed counters (HSC)\High speed counter (HSC)1\I/O addresses\Input addresses			
Start address	1000	End address	1003
Process image	Cyclic PI		
High speed counters (HSC)\High speed counter (HSC)1\Hardware identifier\Hardware identifier			
Hardware identifier	258		

D

High speed counters (HSC)\High speed counter (HSC)2\General\Enable			
Enable this high speed counter	0		
High speed counters (HSC)\High speed counter (HSC)2\General\Project information			
Name	HSC_2	Comment	
High speed counters (HSC)\High speed counter (HSC)2\Function			
Type of counting	Count	Operating phase	Single phase
Input source	Integrated CPU input		
Counting direction is specified by	User program (internal direction control)	Initial counting direction	Count up
		Frequency measuring period	-/-sec
High speed counters (HSC)\High speed counter (HSC)2\Reset to initial values\Reset values			
Initial counter value	0	Initial reference value	0
High speed counters (HSC)\High speed counter (HSC)2\Reset to initial values\Reset options			
Use external reset input	0	Reset signal level	-/-

E

High speed counters (HSC)\High speed counter (HSC)2\Event configuration\			
Generate interrupt for counter value equals reference value event.	0	RidPrefixCvE-qualsPv	49152
Event name	0	Hardware interrupt	0

F

Owner	Project name Abastecimento de água V11 - 1212C - Final	Date 6/21/2012
Operator	Project Path D:\Documents and Settings\Tiago\Desktop\Dissertação Mestrado V11\Abastecimento de água V11 - 1212C - Final	
Designed By	Location	
Checked By	Description 1st	Language en-US
Approved By	Description 2nd	Version
	1st View	Sheet 1 - 5

A

Counter value equal to reference value1	Counter value equal to reference value1	ValueNull	0
---	---	-----------	---

B

High speed counters (HSC)High speed counter (HSC)2\Event configuration\			
Generate interrupt for external reset event.	0	RidPrefixExternal-Reset	49408
Event name	0	Hardware interrupt	0
External reset1	External reset1	ValueNull	0
EventPriority	6		

C

High speed counters (HSC)High speed counter (HSC)2\Event configuration\			
Generate interrupt for change of direction event.	0	RidPrefixDirection-Change	49280
Event name	0	Hardware interrupt	0
Change of direction1	Change of direction1	ValueNull	0
EventPriority	6		
High speed counters (HSC)High speed counter (HSC)2\Hardware inputs			
Clock generator input	---	Direction input	---
Reset input	---	Speed	100.00000kHz
High speed counters (HSC)High speed counter (HSC)2\I/O addresses\Input addresses			
Start address	1004	End address	1007
Process image	Cyclic PI		
High speed counters (HSC)High speed counter (HSC)2\Hardware identifier\Hardware identifier			
Hardware identifier	259		

D

High speed counters (HSC)High speed counter (HSC)3\General\Enable			
Enable this high speed counter	0		
High speed counters (HSC)High speed counter (HSC)3\General\Project information			
Name	HSC_3	Comment	
High speed counters (HSC)High speed counter (HSC)3\Function			
Type of counting	Count	Operating phase	Single phase
Input source	Integrated CPU input		
Counting direction is specified by	User program (internal direction control)	Initial counting direction	Count up
		Frequency measuring period	-/-sec
High speed counters (HSC)High speed counter (HSC)3\Reset to initial values\Reset values			
Initial counter value	0	Initial reference value	0
High speed counters (HSC)High speed counter (HSC)3\Reset to initial values\Reset options			
Use external reset input	0	Reset signal level	-/-

E

High speed counters (HSC)High speed counter (HSC)3\Event configuration\			
Generate interrupt for counter value equals reference value event.	0	RidPrefixCvE-qualsPv	49152
Event name	0	Hardware interrupt	0

F

Owner	Project name Abastecimento de água V11 - 1212C - Final	Date 6/21/2012
Operator	Project Path D:\Documents and Settings\Tiago\Desktop\Dissertação Mestrado V11\Abastecimento de água V11 - 1212C - Final	
	Location	
Designed By	Description 1st	
Checked By	Description 2nd	Language en-US
Approved By	1st View	Version
		Sheet 1 - 6

A

Counter value equal to reference value2	Counter value equal to reference value2	ValueNull	0
--	---	------------------	---

B

High speed counters (HSC)\High speed counter (HSC)3\Event configuration\			
Generate interrupt for external reset event.	0	RidPrefixExternal-Reset	49408
Event name	0	Hardware interrupt	0
External reset2	External reset2	ValueNull	0
EventPriority	6		

C

High speed counters (HSC)\High speed counter (HSC)3\Event configuration\			
Generate interrupt for change of direction event.	0	RidPrefixDirection-Change	49280
Event name	0	Hardware interrupt	0
Change of direction2	Change of direction2	ValueNull	0
EventPriority	6		
High speed counters (HSC)\High speed counter (HSC)3\Hardware inputs			
Clock generator input	---	Direction input	---
Reset input	---	Speed	100.00000kHz
High speed counters (HSC)\High speed counter (HSC)3\I/O addresses\Input addresses			
Start address	1008	End address	1011
Process image	Cyclic PI		
High speed counters (HSC)\High speed counter (HSC)3\Hardware identifier\Hardware identifier			
Hardware identifier	260		
High speed counters (HSC)\High speed counter (HSC)4\General\Enable			
Enable this high speed counter	0		

D

High speed counters (HSC)\High speed counter (HSC)4\General\Project information			
Name	HSC_4	Comment	
High speed counters (HSC)\High speed counter (HSC)4\Function			
Type of counting	Count	Operating phase	Single phase
Input source	Integrated CPU input		
Counting direction is specified by	User program (internal direction control)	Initial counting direction	Count up
		Frequency measuring period	-/-sec
High speed counters (HSC)\High speed counter (HSC)4\Reset to initial values\Reset values			
Initial counter value	0	Initial reference value	0
High speed counters (HSC)\High speed counter (HSC)4\Reset to initial values\Reset options			
Use external reset input	0	Reset signal level	-/-

E

High speed counters (HSC)\High speed counter (HSC)4\Event configuration\			
Generate interrupt for counter value equals reference value event.	0	RidPrefixCvE-qualsPv	49152
Event name	0	Hardware interrupt	0

F

Owner	Project name Abastecimento de água V11 - 1212C - Final	Date 6/21/2012
Operator	Project Path D:\Documents and Settings\Tiago\Desktop\Dissertação Mestrado V11\Abastecimento de água V11 - 1212C - Final	
	Location	
Designed By	Description 1st	
Checked By	Description 2nd	Language en-US
Approved By	1st View	Version
		Sheet 1 - 7

A

Counter value equal to reference value3	Counter value equal to reference value3	ValueNull	0
---	---	-----------	---

B

High speed counters (HSC)\High speed counter (HSC)4\Event configuration\			
Generate interrupt for external reset event.	0	RidPrefixExternal-Reset	49408
Event name	0	Hardware interrupt	0
External reset3	External reset3	ValueNull	0
EventPriority	6		

C

High speed counters (HSC)\High speed counter (HSC)4\Event configuration\			
Generate interrupt for change of direction event.	0	RidPrefixDirection-Change	49280
Event name	0	Hardware interrupt	0
Change of direction3	Change of direction3	ValueNull	0
EventPriority	6		
High speed counters (HSC)\High speed counter (HSC)4\Hardware inputs			
Clock generator input	---	Direction input	---
Reset input	---	Speed	30.00000kHz
High speed counters (HSC)\High speed counter (HSC)4\I/O addresses\Input addresses			
Start address	1012	End address	1015
Process image	Cyclic PI		
High speed counters (HSC)\High speed counter (HSC)4\Hardware identifier\Hardware identifier			
Hardware identifier	261		

D

High speed counters (HSC)\High speed counter (HSC)5\General\Enable			
Enable this high speed counter	0		
High speed counters (HSC)\High speed counter (HSC)5\General\Project information			
Name	HSC_5	Comment	
High speed counters (HSC)\High speed counter (HSC)5\Function			
Type of counting	Count	Operating phase	Single phase
Input source	Integrated CPU input		
Counting direction is specified by	User program (internal direction control)	Initial counting direction	Count up
		Frequency measuring period	-/-sec
High speed counters (HSC)\High speed counter (HSC)5\Reset to initial values\Reset values			
Initial counter value	0	Initial reference value	0
High speed counters (HSC)\High speed counter (HSC)5\Reset to initial values\Reset options			
Use external reset input	0	Reset signal level	-/-

E

High speed counters (HSC)\High speed counter (HSC)5\Event configuration\			
Generate interrupt for counter value equals reference value event.	0	RidPrefixCvE-qualsPv	49152
Event name	0	Hardware interrupt	0

F

Owner	Project name Abastecimento de água V11 - 1212C - Final	Date 6/21/2012
Operator	Project Path D:\Documents and Settings\Tiago\Desktop\Dissertação Mestrado V11\Abastecimento de água V11 - 1212C - Final	
Designed By	Location	
Checked By	Description 1st	Language en-US
Approved By	Description 2nd	Version
	1st View	Sheet 1 - 8

A

Counter value equal to reference value4	Counter value equal to reference value4	ValueNull	0
--	---	------------------	---

B

High speed counters (HSC)\High speed counter (HSC)5\Event configuration\			
Generate interrupt for external reset event.	0	RidPrefixExternal-Reset	49408
Event name	0	Hardware interrupt	0
External reset4	External reset4	ValueNull	0
EventPriority	6		

C

High speed counters (HSC)\High speed counter (HSC)5\Event configuration\			
Generate interrupt for change of direction event.	0	RidPrefixDirection-Change	49280
Event name	0	Hardware interrupt	0
Change of direction4	Change of direction4	ValueNull	0
EventPriority	6		
High speed counters (HSC)\High speed counter (HSC)5\Hardware inputs			
Clock generator input	---	Direction input	---
Reset input	---	Speed	30.00000kHz
High speed counters (HSC)\High speed counter (HSC)5\I/O addresses\Input addresses			
Start address	1016	End address	1019
Process image	Cyclic PI		
High speed counters (HSC)\High speed counter (HSC)5\Hardware identifier\Hardware identifier			
Hardware identifier	262		
High speed counters (HSC)\High speed counter (HSC)6\General\Enable			
Enable this high speed counter	0		

D

High speed counters (HSC)\High speed counter (HSC)6\General\Project information			
Name	HSC_6	Comment	
High speed counters (HSC)\High speed counter (HSC)6\Function			
Type of counting	Count	Operating phase	Single phase
Input source	Integrated CPU input		
Counting direction is specified by	User program (internal direction control)	Initial counting direction	Count up
		Frequency measuring period	-/-sec
High speed counters (HSC)\High speed counter (HSC)6\Reset to initial values\Reset values			
Initial counter value	0	Initial reference value	0
High speed counters (HSC)\High speed counter (HSC)6\Reset to initial values\Reset options			
Use external reset input	0	Reset signal level	-/-

E

High speed counters (HSC)\High speed counter (HSC)6\Event configuration\			
Generate interrupt for counter value equals reference value event.	0	RidPrefixCvE-qualsPv	49152
Event name	0	Hardware interrupt	0

F

Owner	Project name Abastecimento de água V11 - 1212C - Final	Date 6/21/2012
Operator	Project Path D:\Documents and Settings\Tiago\Desktop\Dissertação Mestrado V11\Abastecimento de água V11 - 1212C - Final	
	Location	
Designed By	Description 1st	
Checked By	Description 2nd	Language en-US
Approved By	1st View	Version
		Sheet 1 - 9

A

Counter value equal to reference value5	Counter value equal to reference value5	ValueNull	0
---	---	-----------	---

EventPriority 6

High speed counters (HSC)\High speed counter (HSC)6\Event configuration\

Generate interrupt for external reset event.	0	RidPrefixExternal-Reset	49408
--	---	-------------------------	-------

Event name 0

External reset5 External reset5

Hardware interrupt 0

ValueNull 0

High speed counters (HSC)\High speed counter (HSC)6\Event configuration\

B

Generate interrupt for change of direction event.	0	RidPrefixDirection-Change	49280
---	---	---------------------------	-------

Event name 0

Change of direction5 Change of direction5

Hardware interrupt 0

ValueNull 0

High speed counters (HSC)\High speed counter (HSC)6\Hardware inputs

C

Clock generator input ---

Direction input ---

Reset input ---

Speed 30.00000kHz

High speed counters (HSC)\High speed counter (HSC)6\I/O addresses\Input addresses

Start address 1020

End address 1023

Process image Cyclic PI

High speed counters (HSC)\High speed counter (HSC)6\Hardware identifier\Hardware identifier

Hardware identifier 263

Pulse generators (PTO/PWM)\PTO1/PWM1\General\Enable

Enable this pulse generator 0

D

Pulse generators (PTO/PWM)\PTO1/PWM1\General\Project information

Name Pulse_1

Comment

Pulse generators (PTO/PWM)\PTO1/PWM1\Parameter assignment\Pulse options

Pulse generator PWM

Output source Integrated CPU output

Timebase Milliseconds

Pulse duration format Hundredths

Cycle time 100ms

Initial pulse duration 50Hundredths

Pulse generators (PTO/PWM)\PTO1/PWM1\Hardware outputs

Pulse output Q0.0

Pulse generators (PTO/PWM)\PTO1/PWM1\I/O addresses\Output addresses

Start address 1000

End address 1001

Process image Cyclic PI

Pulse generators (PTO/PWM)\PTO1/PWM1\Hardware identifier\Hardware identifier

Hardware identifier 266

E

Pulse generators (PTO/PWM)\PTO2/PWM2\General\Enable

Enable this pulse generator 0

Pulse generators (PTO/PWM)\PTO2/PWM2\General\Project information

Name Pulse_2

Comment

Pulse generators (PTO/PWM)\PTO2/PWM2\Parameter assignment\Pulse options

Pulse generator PWM

Output source Integrated CPU output

F

Owner	Project name Abastecimento de água V11 - 1212C - Final	Date 6/21/2012
Operator	Project Path D:\Documents and Settings\Tiago\Desktop\Dissertação Mestrado V11\Abastecimento de água V11 - 1212C - Final	
Designed By	Location	
Checked By	Description 1st	Language en-US
Approved By	Description 2nd	Version
	1st View	Sheet 1 - 10

A	Timebase	Milliseconds	Pulse duration format	Hundredths
	Cycle time	100ms	Initial pulse duration	50Hundredths
B	Pulse generators (PTO/PWM)\PTO2/PWM2\Hardware outputs			
	Pulse output	Q0.2		
	Pulse generators (PTO/PWM)\PTO2/PWM2\I/O addresses\Output addresses			
	Start address	1002	End address	1003
	Process image	Cyclic PI		
	Pulse generators (PTO/PWM)\PTO2/PWM2\Hardware identifier\Hardware identifier			
	Hardware identifier	267		
	Startup			
	Startup after POWER ON	Warm restart - mode prior to POWER OFF	Supported hardware compatibility	Allow any substitute
	Parameter assignment time for distributed I/O	60000ms		
C	Cycle			
	Scan cycle monitoring time	150ms	Enable minimum cycle time for cyclic OBs	0
	Minimum cycle time	1ms		
	Communication load			
	Cycle load due to communication	20%		
	System and clock memory\System memory bits			
	Enable the use of system memory byte	1	Address of system memory byte (MBx)	3000
	First cycle	%M3000.0 (FirstScan)	Diagnostics status changed	%M3000.1 (DiagStatusUpdate)
	Always 1 (high)	%M3000.2 (AlwaysTRUE)	Always 0 (low)	%M3000.3 (AlwaysFALSE)
	System and clock memory\Clock memory bits			
Enable the use of clock memory byte	1	Address of clock memory byte (MBx)	3200	
10 Hz clock	%M3200.0 (Clock_10Hz)	5 Hz clock	%M3200.1 (Clock_5Hz)	
2.5 Hz clock	%M3200.2 (Clock_2.5Hz)	2 Hz clock	%M3200.3 (Clock_2Hz)	
1.25 Hz clock	%M3200.4 (Clock_1.25Hz)	1 Hz clock	%M3200.5 (INCREMENTA.SEGUNDOS)	
0.625 Hz clock	%M3200.6 (Clock_0.625Hz)	0.5 Hz clock	%M3200.7 (Clock_0.5Hz)	
D	Web server			
	Enable Web server on this module	True	Permit access only with HTTPS	False
	Web server\Automatic update			
	Enable	True	Update interval	10s
	Web server\ParameterWebServerUserDefinedWebPagesMenu			
E	ParameterWebServerUserDefinedWebPagesMenu	was not filled by one ACF		

F	Owner	Project name	Abastecimento de água V11 - 1212C - Final	Date	6/21/2012
	Operator	Project Path	D:\Documents and Settings\Tiago\Desktop\Dissertação Mestrado V11\Abastecimento de água V11 - 1212C - Final		
	Designed By	Description 1st			
	Checked By	Description 2nd	Language	en-US	
	Approved By	1st View	Version	Sheet 1 - 11	

A

Time of day\Local time

Time zone (GMT +01:00) Berlin, Bern, Brussels, Rome, Stockholm, Vienna

Time of day\Daylight saving time

Activate daylight saving time	0	Difference between standard and daylight-saving time (in minutes)	60
		Start of daylight saving time	

B

Starting week of the month:	first	Starting day of the month	Sunday
------------------------------------	-------	----------------------------------	--------

Starting month	January	Starting time	0
-----------------------	---------	----------------------	---

		Start of standard time	
--	--	-------------------------------	--

Starting week of the month:	first	Starting day of the month	Sunday
------------------------------------	-------	----------------------------------	--------

Starting month	January	Starting time	0
-----------------------	---------	----------------------	---

Protection

Level of protection No protection

Protection\Password for read/write access

Password		Confirm password	
-----------------	--	-------------------------	--

Anchor (ParameterCommunicationMenu)

C

The TreeNode ParameterCommunicationMenu was not filled by some ACF

Anchor (AddressesOverviewMenu)

The AddressesOverviewMenu was not filled by some ACF

D

Web server\User-defined web pages

Application name	HTML source path	Default HTML page	Files with dynamic content	Web DB number	Fragment DB number
Home	D:\Documents and Settings\Tiago\Desktop\Dissertação_Mestrado\Programa\Abastecimento de água V11 - 1212C - Final\WEB	Visualizacao.htm	.htm;.html;.js	333	334

E

F

Owner	Project name Abastecimento de água V11 - 1212C - Final	Date 6/21/2012
Operator	Project Path D:\Documents and Settings\Tiago\Desktop\Dissertação Mestrado V11\Abastecimento de água V11 - 1212C - Final	
	Location	
Designed By	Description 1st	
Checked By	Description 2nd	Language en-US
Approved By	1st View	Version Sheet 1 - 12

PLC_1 [CPU 1212C DC/DC/DC] / Program blocks

Programa [OB1]

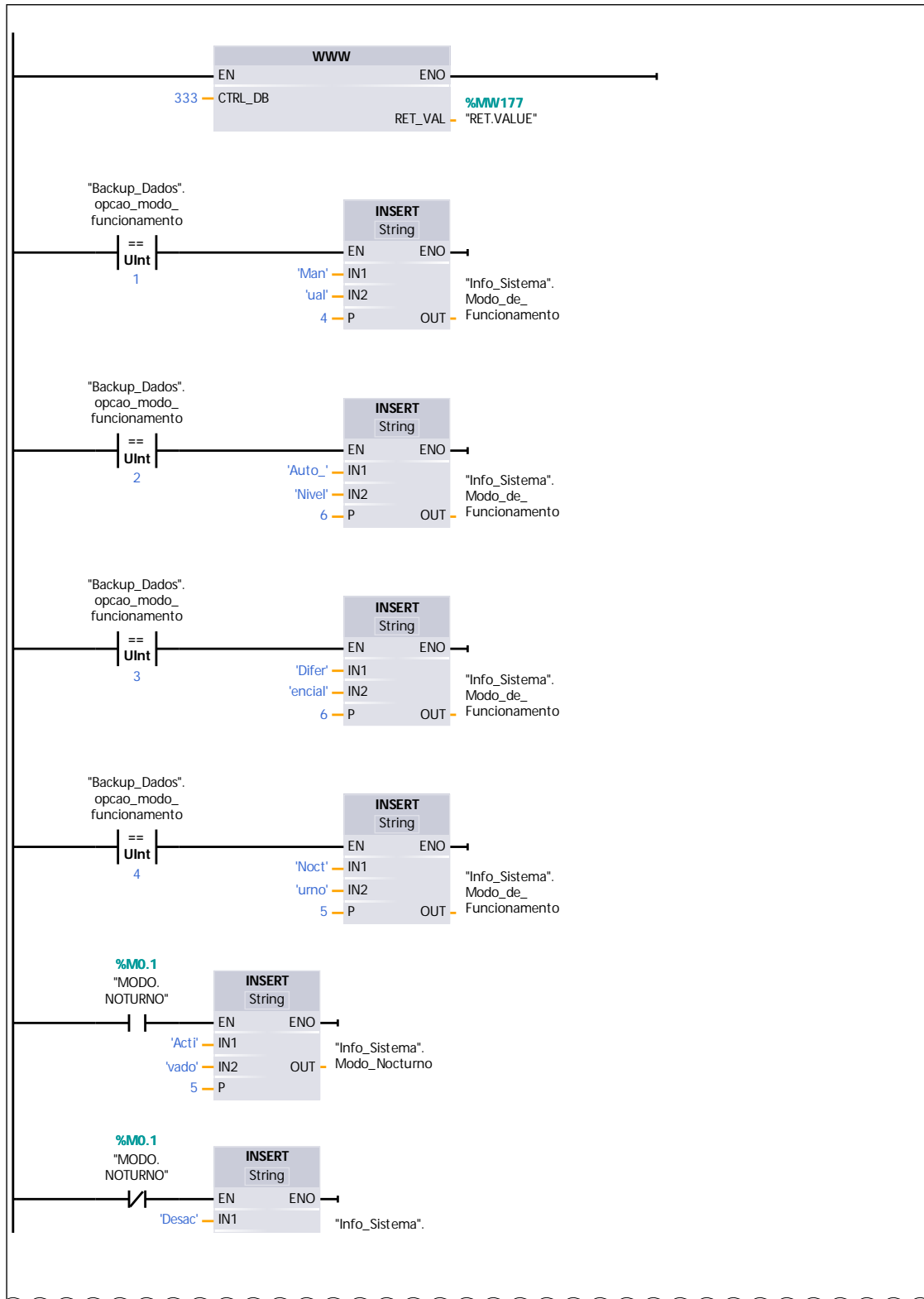
Programa Properties			
General			
Name	Programa	Number	1
Type	OB.ProgramCycle	Language	LAD
Information			
Title	"Main Program Sweep (Cycle)"	Author	
Comment		Family	
Version	0.1	User-defined ID	
Name	Data type	Offset	Comment
Temp			

Network 1: USER WEB PAGE

- Criação de página WEB do utilizador

Owner	Project name	Abastecimento de água V11 - 1212C - Final	Date	6/21/2012
	Operator	Project Path D:\Documents and Settings\Tiago\Desktop\Dissertação Mestrado V11\Abastecimento de água V11 - 1212C - Final		
Designed By	Location			
Checked By	Description 1st	Language en-US		
Approved By	Description 2nd	1st View	Version	Sheet 2 - 1

Network 1: USER WEB PAGE (1.1 / 7.1)

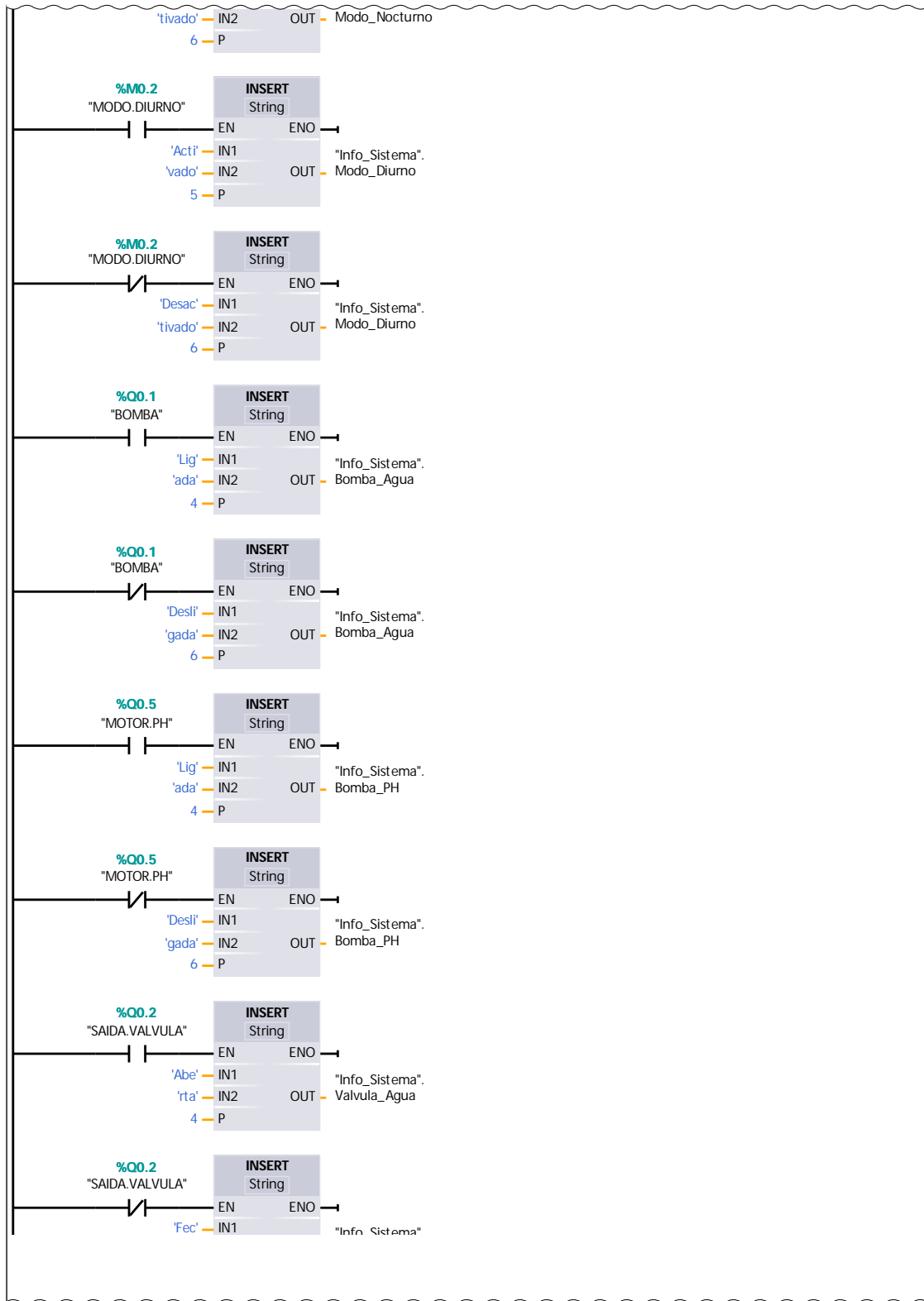


2.1 (page 2 - 3)

Owner	Project name	Abastecimento de água V11 - 1212C - Final	Date	6/21/2012
	Project Path	D:\Documents and Settings\Tiago\Desktop\Dissertação Mestrado V11\Abastecimento de água V11 - 1212C - Final		
Operator	Location			
	Description 1st			
Designed By	Description 2nd		Language	en-US
Checked By	1st View	Version	Sheet 2 - 2	
Approved By				

Network 1: USER WEB PAGE (2.1 / 7.1)

1.1 (page 2 - 2)

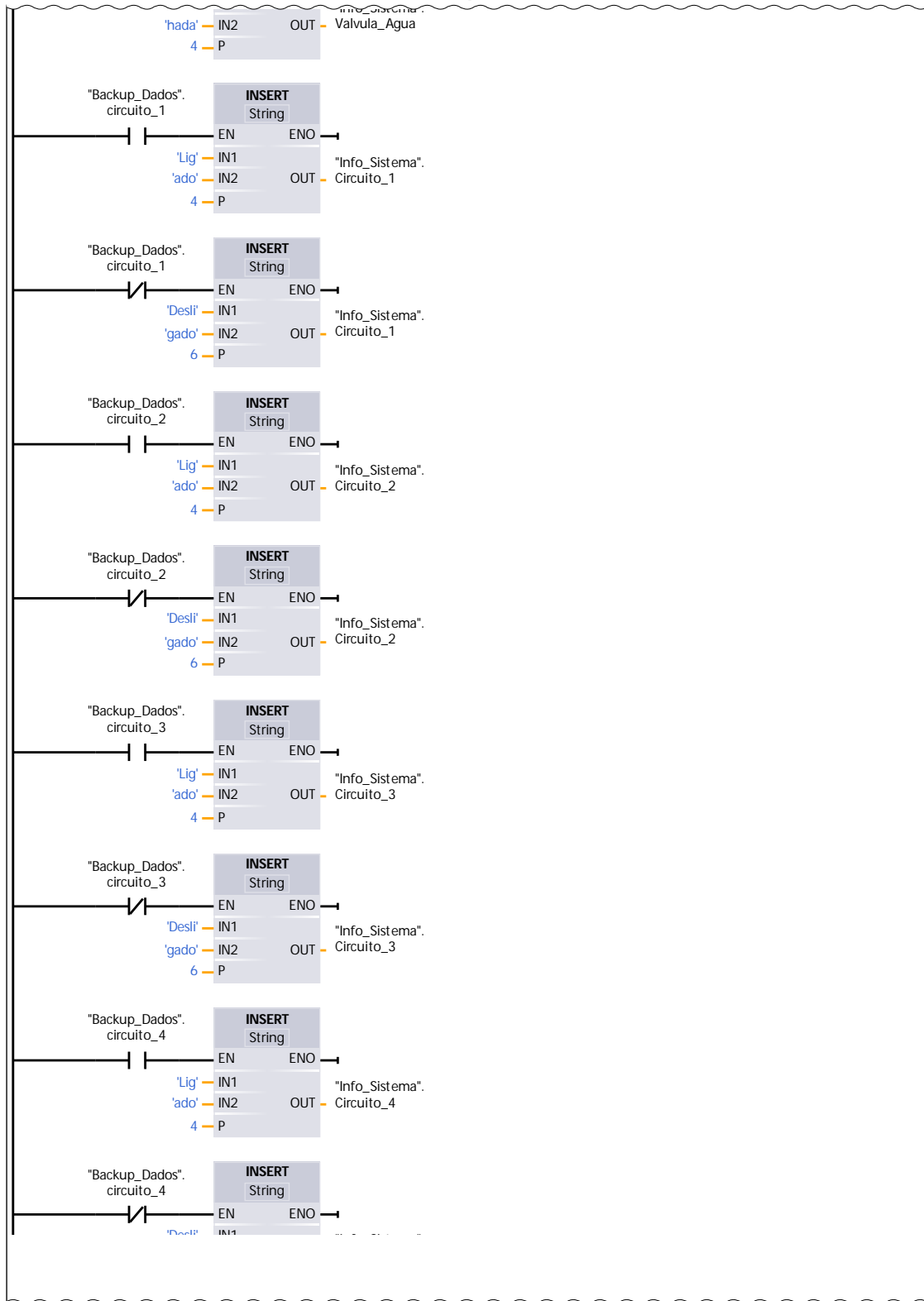


3.1 (page 2 - 4)

Owner	Project name	Abastecimento de água V11 - 1212C - Final	Date	6/21/2012
	Project Path	D:\Documents and Settings\Tiago\Desktop\Dissertação Mestrado V11\Abastecimento de água V11 - 1212C - Final		
Operator	Location			
	Description 1st			
Designed By	Description 2nd			
Checked By	Language		en-US	
Approved By	1st View	Version	Sheet 2 - 3	

Network 1: USER WEB PAGE (3.1 / 7.1)

2.1 (page 2 - 3)

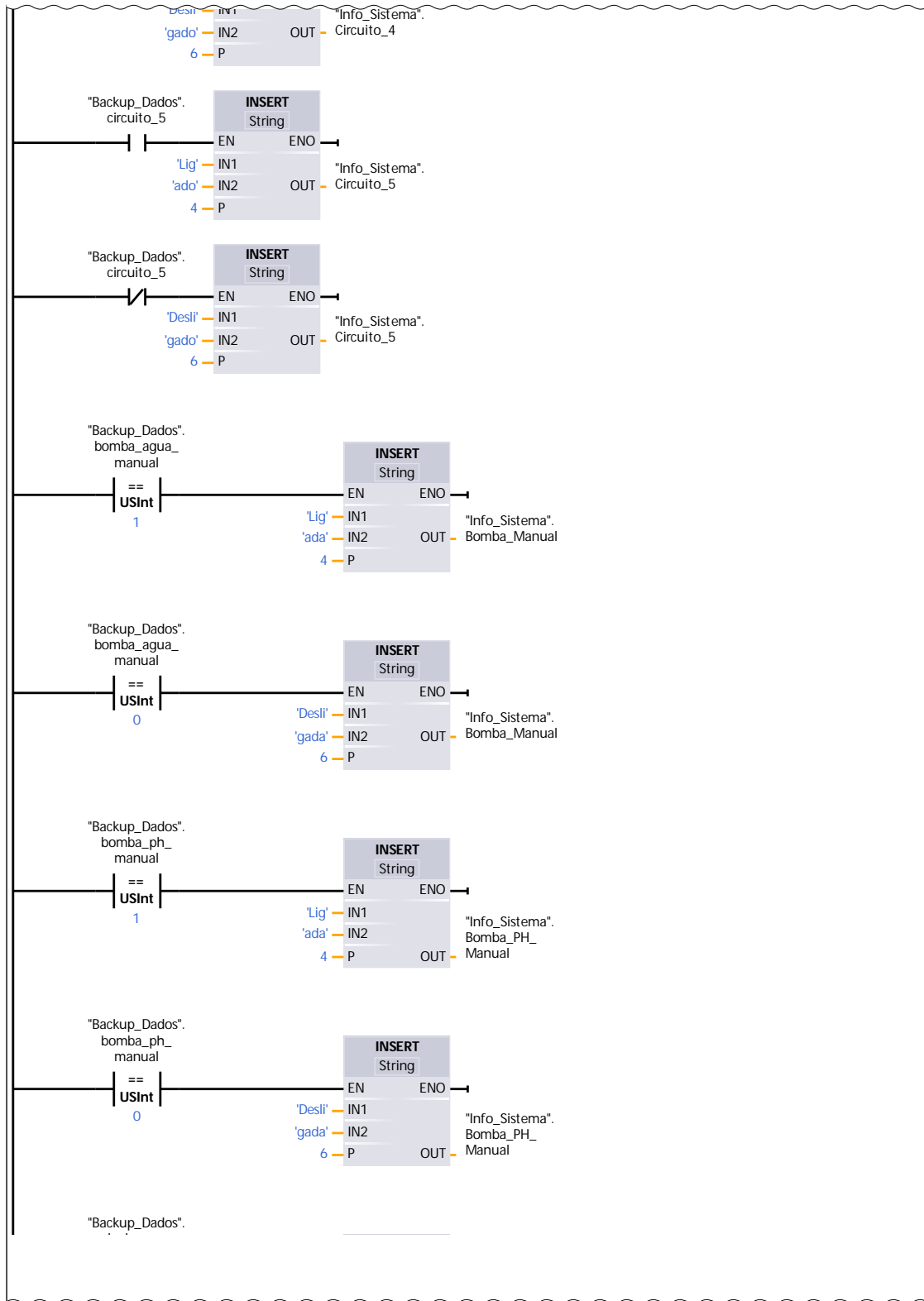


4.1 (page 2 - 5)

Owner	Project name	Abastecimento de água V11 - 1212C - Final	Date	6/21/2012
	Operator	Project Path D:\Documents and Settings\Tiago\Desktop\Dissertação Mestrado V11\Abastecimento de água V11 - 1212C - Final		
Designed By	Location			
Checked By	Description 1st	Language en-US		
Approved By	Description 2nd	1st View	Version	Sheet 2 - 4

Network 1: USER WEB PAGE (4.1 / 7.1)

3.1 (page 2 - 4)

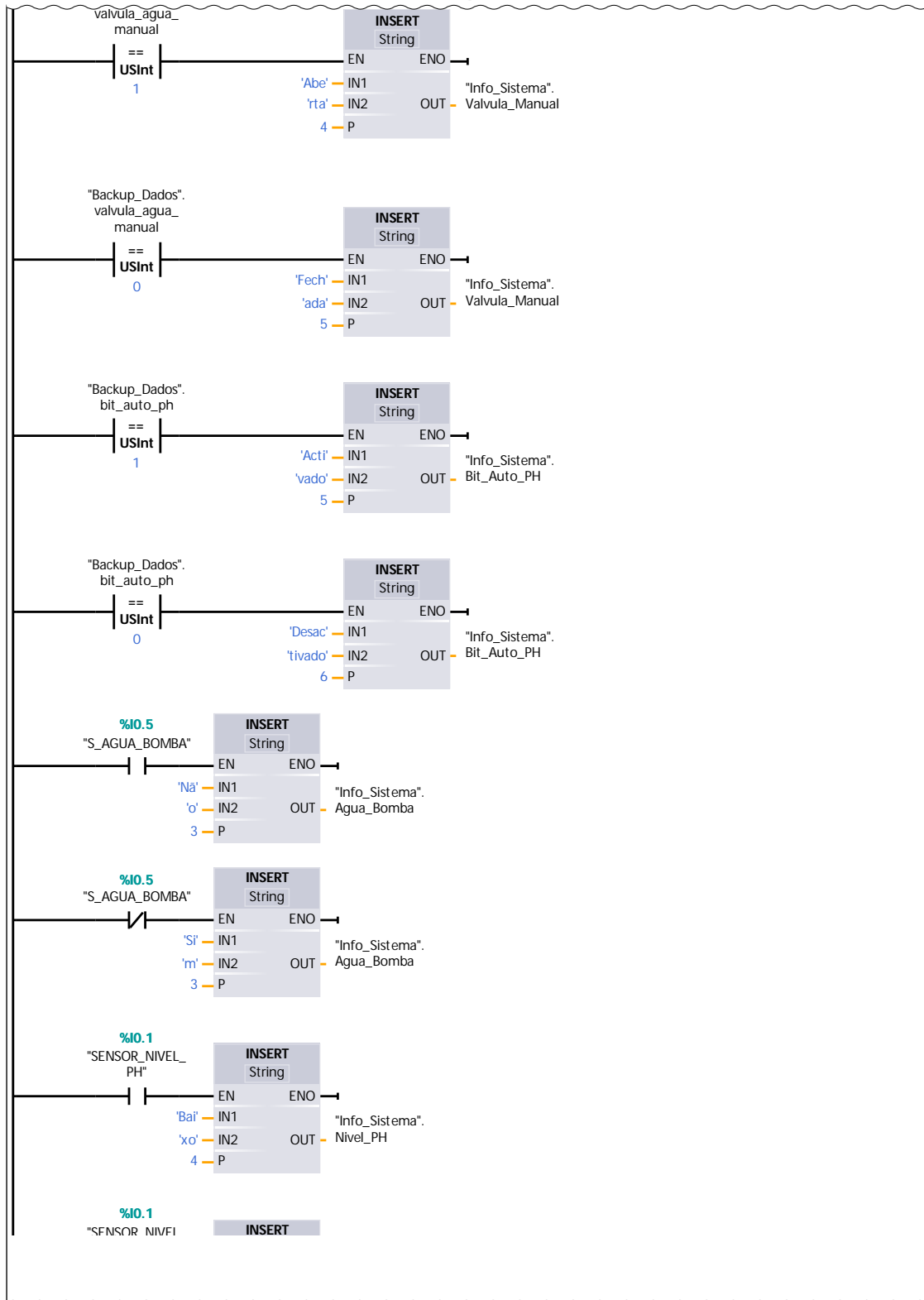


5.1 (page 2 - 6)

Owner	Project name	Abastecimento de água V11 - 1212C - Final	Date	6/21/2012	
	Operator	Project Path D:\Documents and Settings\Tiago\Desktop\Dissertação Mestrado V11\Abastecimento de água V11 - 1212C - Final			
Designed By	Location				
	Description 1st				
	Checked By		Description 2nd		Language
Approved By	1st View		Version	Sheet 2 - 5	

Network 1: USER WEB PAGE (5.1 / 7.1)

4.1 (page 2 - 5)

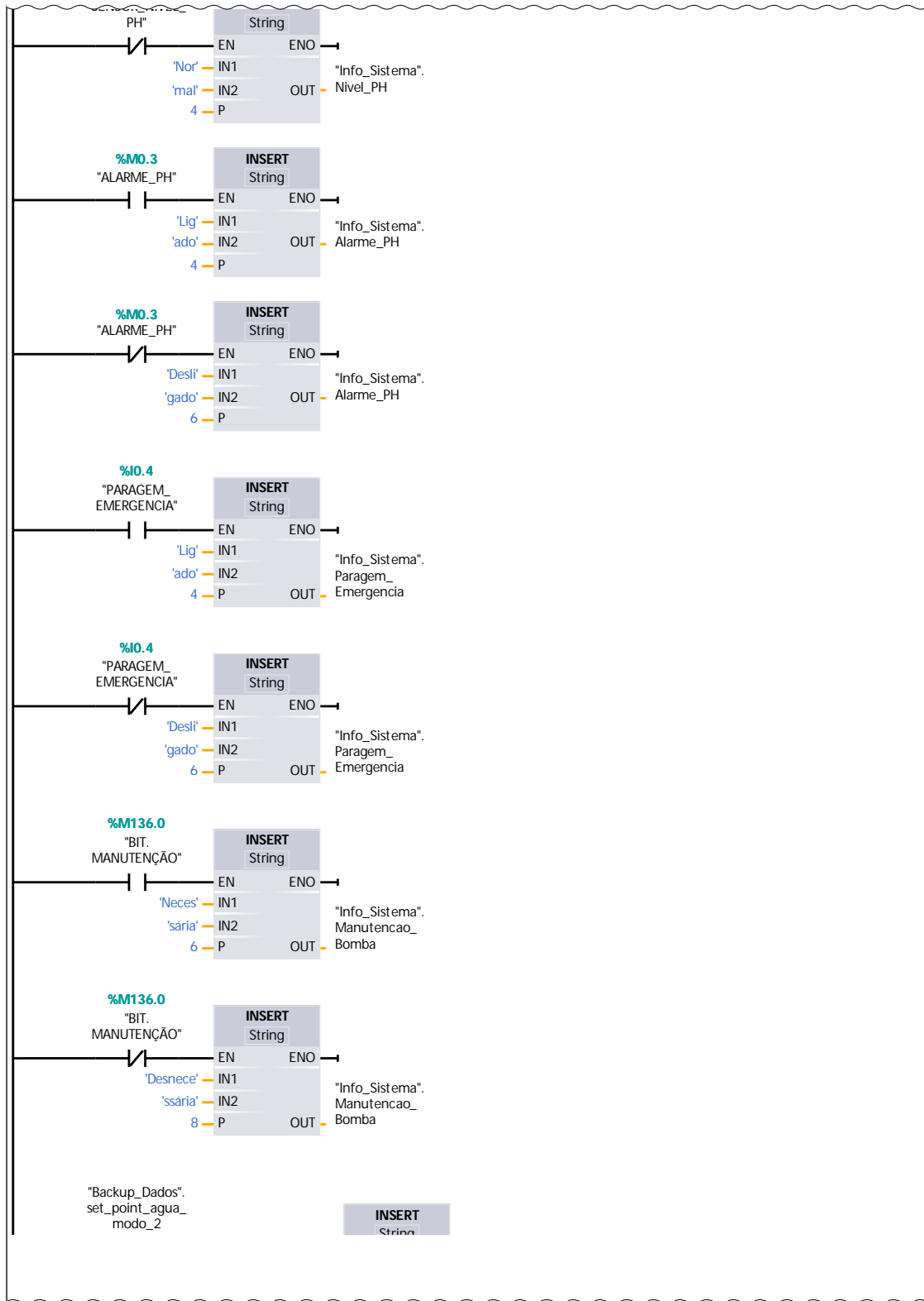


6.1 (page 2 - 7)

Owner	Project name	Abastecimento de água V11 - 1212C - Final	Date	6/21/2012
	Project Path	D:\Documents and Settings\Tiago\Desktop\Dissertação Mestrado V11\Abastecimento de água V11 - 1212C - Final		
Operator	Location			
	Description 1st			
Designed By	Description 2nd		Language	en-US
Checked By	1st View	Version	Sheet 2 - 6	

Network 1: USER WEB PAGE (6.1 / 7.1)

5.1 (page 2 - 6)

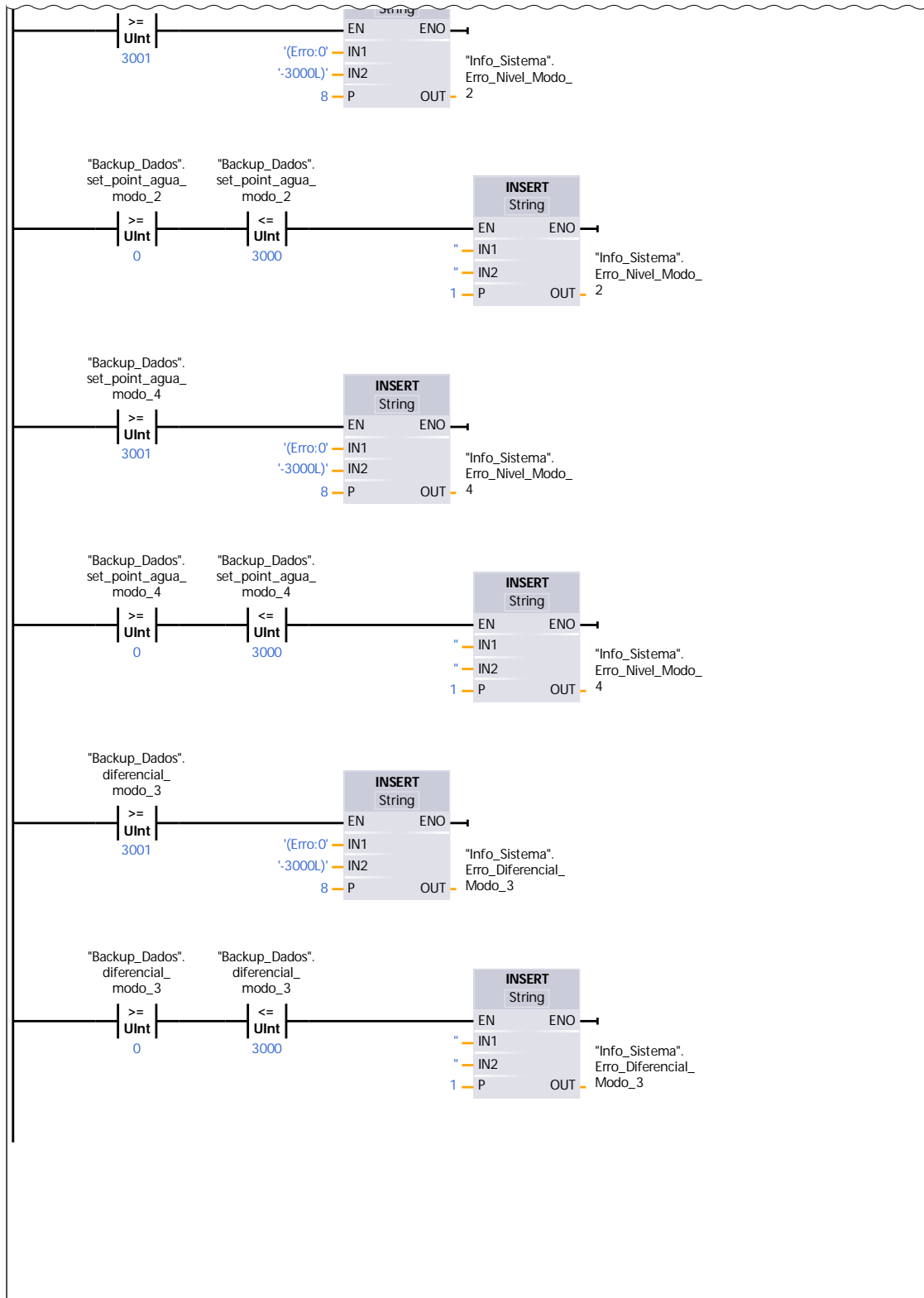


7.1 (page 2 - 8)

Owner	Project name	Abastecimento de água V11 - 1212C - Final	Date	6/21/2012
	Project Path	D:\Documents and Settings\Tiago\Desktop\Dissertação Mestrado V11\Abastecimento de água V11 - 1212C - Final		
Operator	Location			
	Description 1st			
Designed By	Description 2nd			
Checked By	Language		en-US	
Approved By	1st View	Version	Sheet 2 - 7	

Network 1: USER WEB PAGE (7.1 / 7.1)

6.1 (page 2 - 7)



Owner	Project name	Abastecimento de água V11 - 1212C - Final	Date	6/21/2012
	Operator	Project Path D:\Documents and Settings\Tiago\Desktop\Dissertação Mestrado V11\Abastecimento de água V11 - 1212C - Final		
Designed By	Location			
Checked By	Description 1st		Language	
Approved By	Description 2nd		en-US	
	1st View	Version	Sheet 2 - 8	

Symbol	Address	Type	Comment
4	4	Int	
1	1	Int	
"MODO.DIURNO"	%M0.2	Bool	
3	3	Int	
"S_AGUA_BOMBA"	%IO.5	Bool	
"PARAGEM_EMERGENCIA"	%IO.4	Bool	
"BOMBA"	%Q0.1	Bool	
"MODO.NOTURNO"	%M0.1	Bool	
"ALARME_PH"	%M0.3	Bool	
"SAIDA.VALVULA"	%Q0.2	Bool	
6	6	Int	
"SENSOR_NIVEL_PH"	%IO.1	Bool	
"MOTOR.PH"	%Q0.5	Bool	
5	5	Int	
"BIT.MANUTENÇÃO"	%M136.0	Bool	
"Backup_Dados"	%DB4	Block_DB	
"Backup_Dados".bomba_agua_manual		USInt	
"Backup_Dados".valvula_agua_manual		USInt	
"Backup_Dados".bomba_ph_manual		USInt	
"Backup_Dados".opcao_modofuncionamento		UInt	
"Backup_Dados".set_point_aguamodo_2		UInt	
"Backup_Dados".set_point_aguamodo_4		UInt	
"Backup_Dados".diferencial_modos_3		UInt	
"Backup_Dados".bit_auto_ph		USInt	
"Backup_Dados".circuito_1		Bool	
"Backup_Dados".circuito_2		Bool	
"Backup_Dados".circuito_3		Bool	
"Backup_Dados".circuito_4		Bool	
"Backup_Dados".circuito_5		Bool	
1	1	USInt	
0	0	USInt	
"Info_Sistema"	%DB2	Block_DB	
'Desli'	'Desli'	String	
'gado'	'gado'	String	
333	333	UInt	

Owner	Project name	Abastecimento de água V11 - 1212C - Final	Date	6/21/2012
	Operator	Project Path D:\Documents and Settings\Tiago\Desktop\Dissertação Mestrado V11\Abastecimento de água V11 - 1212C - Final		
Designed By	Location			
	Description 1st			
Checked By	Description 2nd		Language	en-US
Approved By	1st View	Version	Sheet 2 - 9	

A

Symbol	Address	Type	Comment
"RET.VALUE"	%MW177	Word	
1	1	UInt	
"Info_Sistema".Modo_de_Funcionamento		String	
4	4	UInt	
3	3	UInt	
2	2	UInt	
'Man'	'Man'	String	
'ual'	'ual'	String	
'Noct'	'Noct'	String	
'urno'	'urno'	String	
'Nivel'	'Nivel'	String	
'Difer'	'Difer'	String	
'encial'	'encial'	String	
'Auto_'	'Auto_'	String	
"Info_Sistema".Modo_Nocturno		String	
"Info_Sistema".Modo_Diurno		String	
'Desac'	'Desac'	String	
'Acti'	'Acti'	String	
'vado'	'vado'	String	
'tivado'	'tivado'	String	
'Lig'	'Lig'	String	
'ada'	'ada'	String	
"Info_Sistema".Bomba_Agua		String	
'gada'	'gada'	String	
'ado'	'ado'	String	
"Info_Sistema".Bomba_PH		String	
'Abe'	'Abe'	String	
'rta'	'rta'	String	
'Fec'	'Fec'	String	
'hada'	'hada'	String	
"Info_Sistema".Valvula_Agua		String	
"Info_Sistema".Circuito_1		String	
"Info_Sistema".Circuito_2		String	
"Info_Sistema".Circuito_3		String	
"Info_Sistema".Circuito_4		String	
"Info_Sistema".Circuito_5		String	
"Info_Sistema".Bomba_Manual		String	
"Info_Sistema".Bomba_PH_Manual		String	

B

C

D

E

F

Owner	Project name	Abastecimento de água V11 - 1212C - Final	Date	6/21/2012
Operator	Project Path	D:\Documents and Settings\Tiago\Desktop\Dissertação Mestrado V11\Abastecimento de água V11 - 1212C - Final		
Designed By	Description 1st			
Checked By	Description 2nd	Language	en-US	
Approved By	1st View	Version	Sheet 2 - 10	

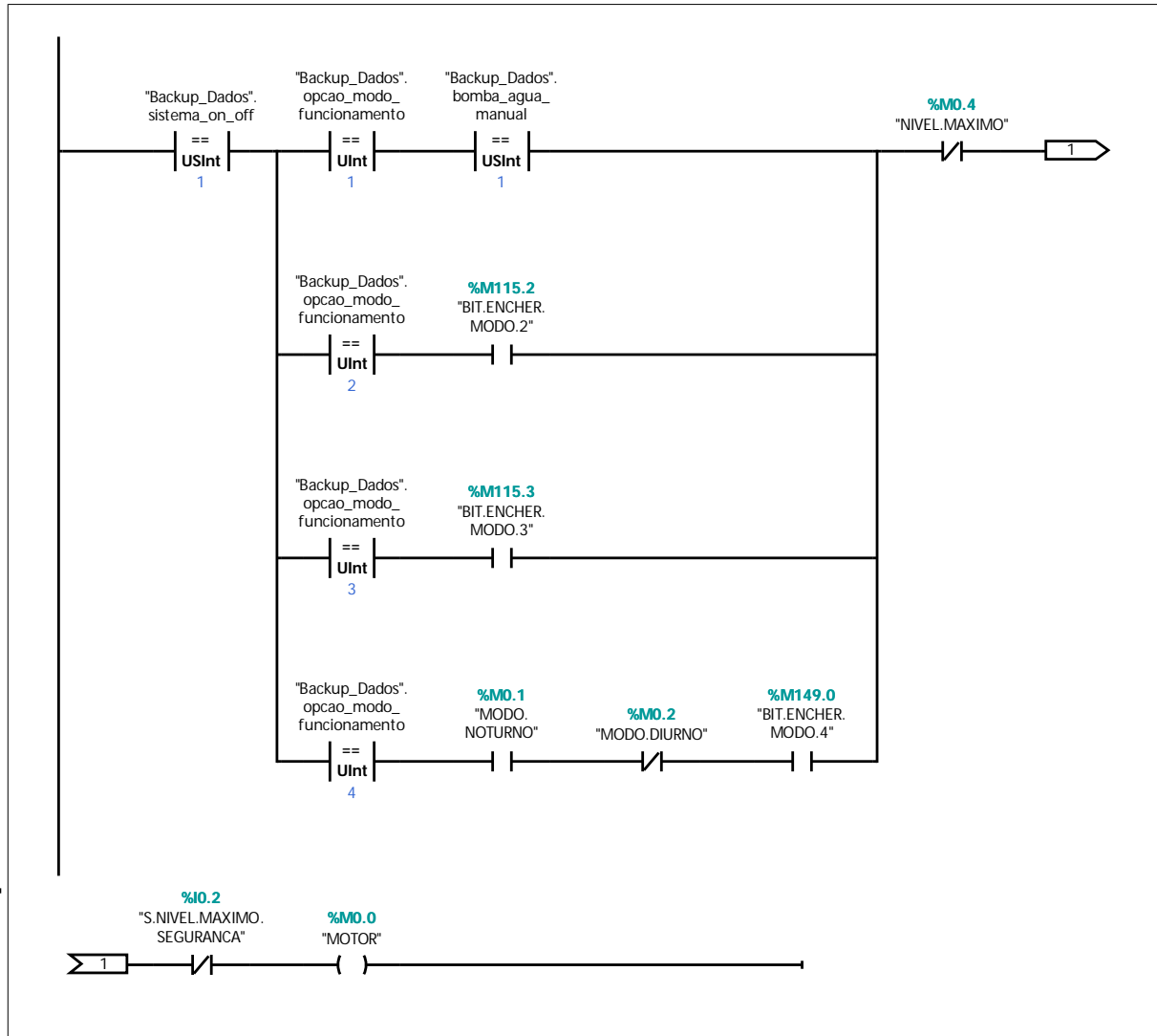
Symbol	Address	Type	Comment
"Info_Sistema".Valvula_Manual		String	
'Fech'	'Fech'	String	
"Info_Sistema".Bit_Auto_PH		String	
'Nã'	'Nã'	String	
'o'	'o'	String	
'Si'	'Si'	String	
'm'	'm'	String	
"Info_Sistema".Agua_Bomba		String	
'Bai'	'Bai'	String	
'xo'	'xo'	String	
'Nor'	'Nor'	String	
'mal'	'mal'	String	
"Info_Sistema".Nivel_PH		String	
"Info_Sistema".Alarme_PH		String	
"Info_Sistema".Paragem_Emergencia		String	
'Neces'	'Neces'	String	
'sária'	'sária'	String	
"Info_Sistema".Manutencao_Bomba		String	
'Desnece'	'Desnece'	String	
'ssária'	'ssária'	String	
8	8	Int	
3001	3001	UInt	
"Info_Sistema".Erro_Nivel_Modo_2		String	
"Info_Sistema".Erro_Nivel_Modo_4		String	
"Info_Sistema".Erro_Diferencial_Modo_3		String	
3000	3000	UInt	
0	0	UInt	
"	"	String	
'(Erro:0'	'(Erro:0'	String	
'-3000L)'	'-3000L)'	String	

Network 2: PARAGEM/ARRANQUE DO MOTOR DA BOMBA DE ÁGUA

- Situações que param ou ligam o motor da bomba de água

Owner	Project name	Abastecimento de água V11 - 1212C - Final	Date	6/21/2012
	Operator	Project Path D:\Documents and Settings\Tiago\Desktop\Dissertação Mestrado V11\Abastecimento de água V11 - 1212C - Final		
Designed By	Location			
Checked By	Description 1st	Language en-US		
Approved By	Description 2nd	1st View	Version	Sheet 2 - 11

Network 2: PARAGEM/ARRANQUE DO MOTOR DA BOMBA DE ÁGUA



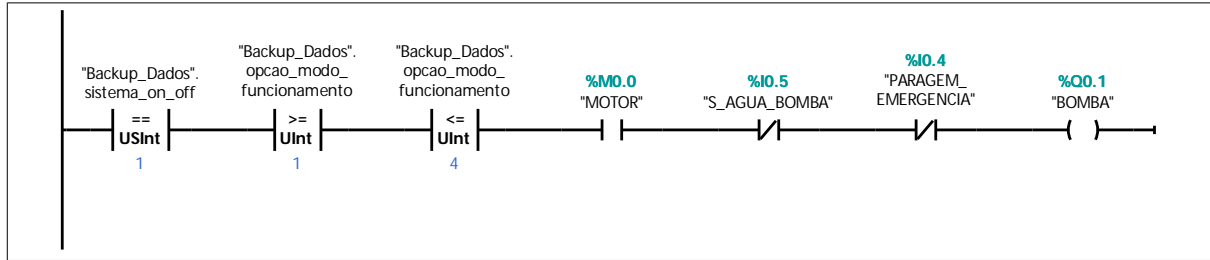
Symbol	Address	Type	Comment
2	2	Int	
"MOTOR"	%M0.0	Bool	
4	4	Int	
1	1	Int	
"MODO.DIURNO"	%M0.2	Bool	
"NIVEL.MAXIMO"	%M0.4	Bool	
3	3	Int	
"MODO.NOTURNO"	%M0.1	Bool	
"S.NIVEL.MAXIMO.SEGURANCA"	%I0.2	Bool	
"BIT.ENCHER.MODO.2"	%M115.2	Bool	
"BIT.ENCHER.MODO.3"	%M115.3	Bool	
"BIT.ENCHER.MODO.4"	%M149.0	Bool	

Owner	Project name	Abastecimento de água V11 - 1212C - Final	Date	6/21/2012
	Project Path	D:\Documents and Settings\Tiago\Desktop\Dissertação Mestrado V11\Abastecimento de água V11 - 1212C - Final		
Operator	Location			
Designed By	Description 1st			
Checked By	Description 2nd	Language	en-US	
Approved By	1st View	Version	Sheet 2 - 12	

Symbol	Address	Type	Comment
"Backup_Dados"	%DB4	Block_DB	
"Backup_Dados".bomba_agua_manual		USInt	
"Backup_Dados".opcao_modofuncionamento		UInt	
"Backup_Dados".sistema_on_off		USInt	

Network 3: ATIVAÇÃO/PARAGEM DA BOMBA DE ÁGUA

- Situações que ativam a bomba de água caso não existam impedimentos (falta de água na bomba, paragem forçada, etc)



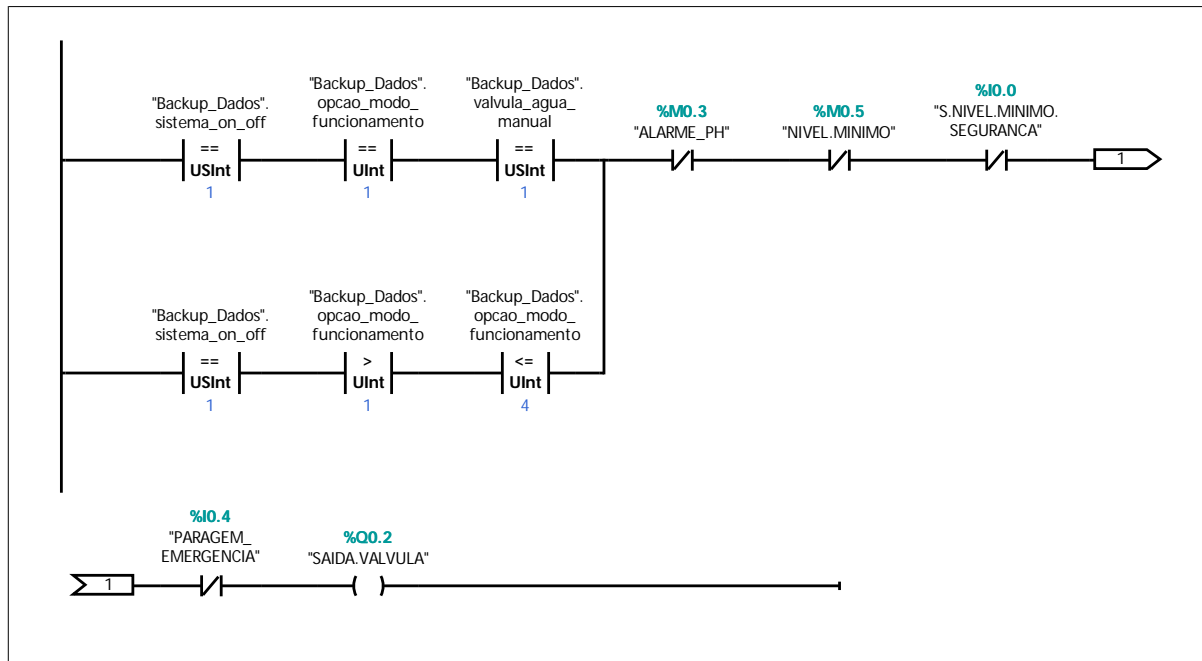
Symbol	Address	Type	Comment
"MOTOR"	%M0.0	Bool	
4	4	Int	
1	1	Int	
"S_AGUA_BOMBA"	%I0.5	Bool	
"PARAGEM_EMERGENCIA"	%I0.4	Bool	
"BOMBA"	%Q0.1	Bool	
"Backup_Dados"	%DB4	Block_DB	
"Backup_Dados".opcao_modofuncionamento		UInt	
"Backup_Dados".sistema_on_off		USInt	

Network 4: ABRE VÁLVULA DE FORNECIMENTO DE ÁGUA

- Ativa a válvula de saída da água no Modo Manual se word correspondente=1 ou fica sempre ativa se noutro modo, exceto se o pH for impróprio

Owner	Project name	Abastecimento de água V11 - 1212C - Final	Date	6/21/2012
	Operator	Project Path D:\Documents and Settings\Tiago\Desktop\Dissertação Mestrado V11\Abastecimento de água V11 - 1212C - Final		
Designed By	Location			
	Description 1st			
Checked By	Description 2nd		Language	en-US
Approved By	1st View		Version	Sheet 2 - 13

Network 4: ABRE VÁLVULA DE FORNECIMENTO DE ÁGUA

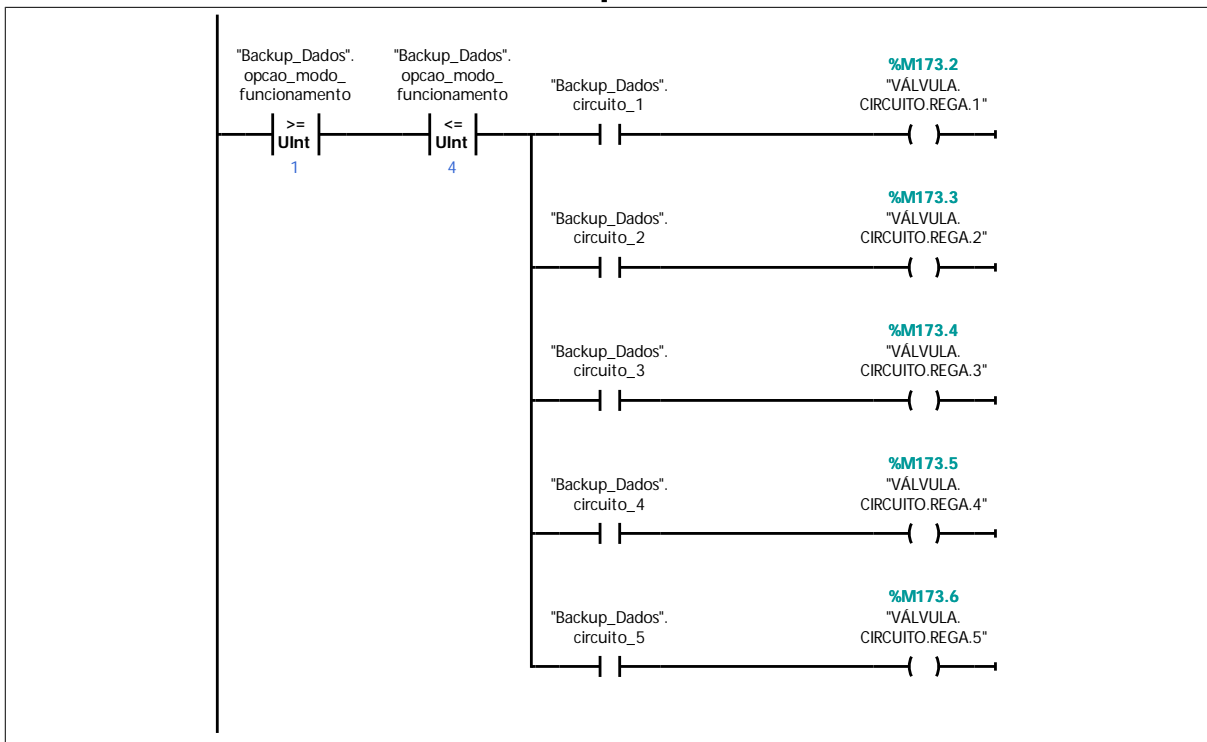


Symbol	Address	Type	Comment
4	4	Int	
1	1	Int	
"PARAGEM_EMERGENCIA"	%IO.4	Bool	
"ALARME_PH"	%MO.3	Bool	
"SAIDA.VALVULA"	%Q0.2	Bool	
"NIVEL.MINIMO"	%MO.5	Bool	
"S.NIVEL.MINIMO.SEGURANCA"	%IO.0	Bool	
"Backup_Dados"	%DB4	Block_DB	
"Backup_Dados".valvula_agua_manual		USInt	
"Backup_Dados".opcao_modos_funcionamento		UInt	
"Backup_Dados".sistema_on_off		USInt	

Network 5: ATIVA/DESATIVA CIRCUITOS DE REGA

- Permite o controlo manual dos circuitos de rega existentes

Owner	Project name	Abastecimento de água V11 - 1212C - Final	Date	6/21/2012
	Project Path	D:\Documents and Settings\Tiago\Desktop\Dissertação Mestrado V11\Abastecimento de água V11 - 1212C - Final		
Operator	Location			
	Description 1st			
Designed By	Description 2nd	Language	en-US	
Checked By	1st View	Version	Sheet 2 - 14	

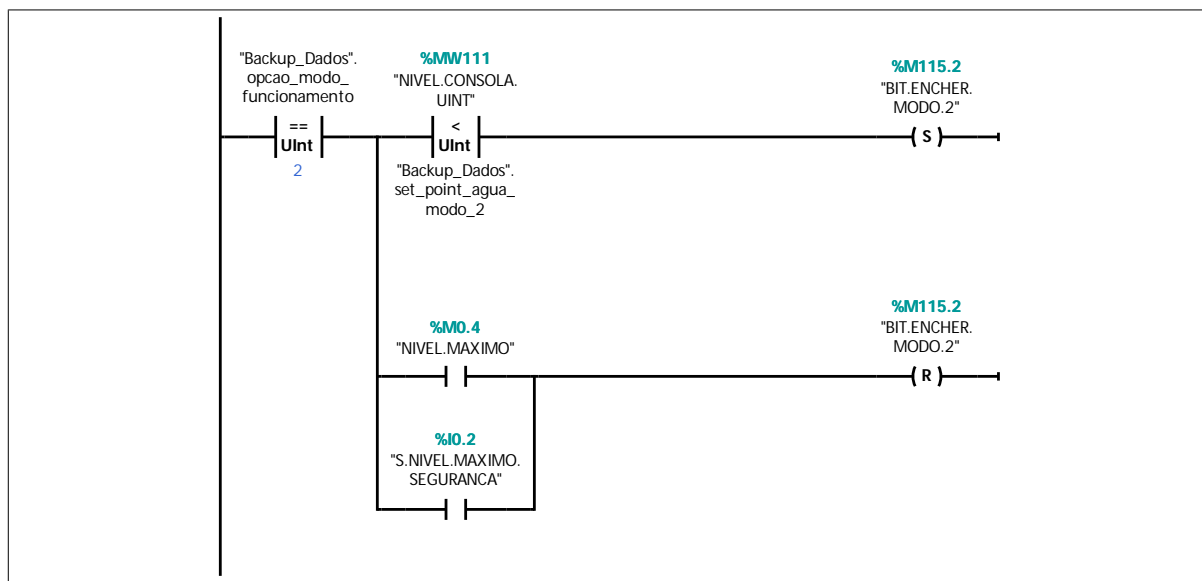


Symbol	Address	Type	Comment
4	4	Int	
1	1	Int	
"Backup_Dados"	%DB4	Block_DB	
"Backup_Dados".opcao_modofuncionamento		UInt	
"VÁLVULA.CIRCUITO.REGA.1"	%M173.2	Bool	
"VÁLVULA.CIRCUITO.REGA.2"	%M173.3	Bool	
"VÁLVULA.CIRCUITO.REGA.3"	%M173.4	Bool	
"VÁLVULA.CIRCUITO.REGA.4"	%M173.5	Bool	
"VÁLVULA.CIRCUITO.REGA.5"	%M173.6	Bool	
"Backup_Dados".circuito_1		Bool	
"Backup_Dados".circuito_2		Bool	
"Backup_Dados".circuito_3		Bool	
"Backup_Dados".circuito_4		Bool	
"Backup_Dados".circuito_5		Bool	

Owner	Project name	Abastecimento de água V11 - 1212C - Final	Date	6/21/2012
	Project Path	D:\Documents and Settings\Tiago\Desktop\Dissertação Mestrado V11\Abastecimento de água V11 - 1212C - Final		
Operator	Location			
Designed By	Description 1st			
Checked By	Description 2nd	Language	en-US	
Approved By	1st View	Version	Sheet 2 - 15	

Network 6: MODO 2

- Modo 2 de funcionamento

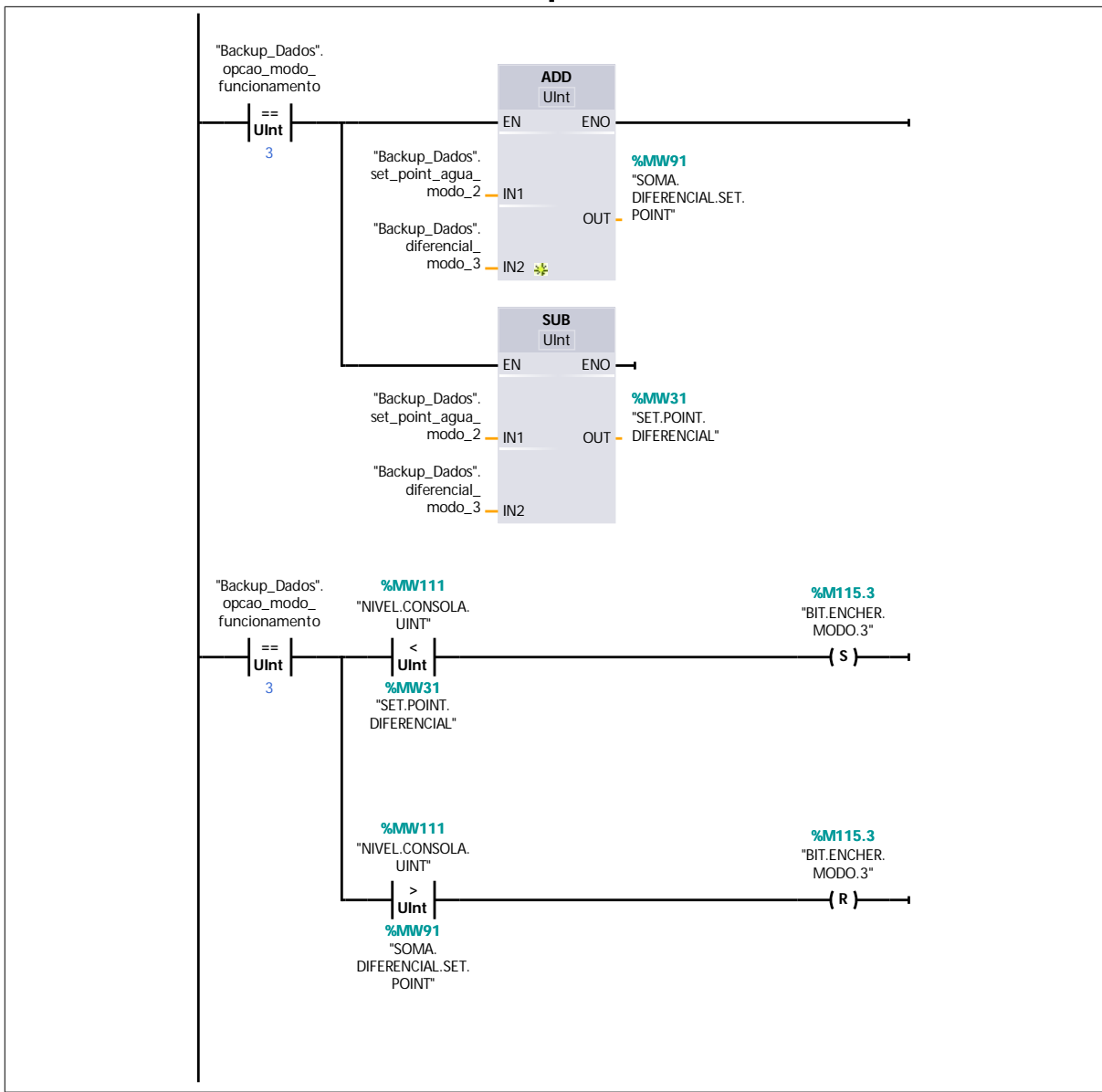


Symbol	Address	Type	Comment
2	2	Int	
"NIVEL.MAXIMO"	%MO.4	Bool	
"NIVEL.CONSO-LA.UINT"	%MW111	UInt	
"S.NIVEL.MAXIMO.SEGURANCA"	%IO.2	Bool	
"BIT.ENCHER.MODO.2"	%M115.2	Bool	
"Backup_Dados"	%DB4	Block_DB	
"Backup_Dados".opcao_modofuncionamento		UInt	
"Backup_Dados".set_point_aguamodo_2		UInt	

Network 7: MODO 3

- Modo 3 de funcionamento

Owner	Project name	Abastecimento de água V11 - 1212C - Final	Date	6/21/2012
	Operator	Project Path D:\Documents and Settings\Tiago\Desktop\Dissertação Mestrado V11\Abastecimento de água V11 - 1212C - Final		
Designed By	Location			
	Description 1st			
Checked By	Description 2nd		Language	en-US
Approved By	1st View	Version	Sheet 2 - 16	



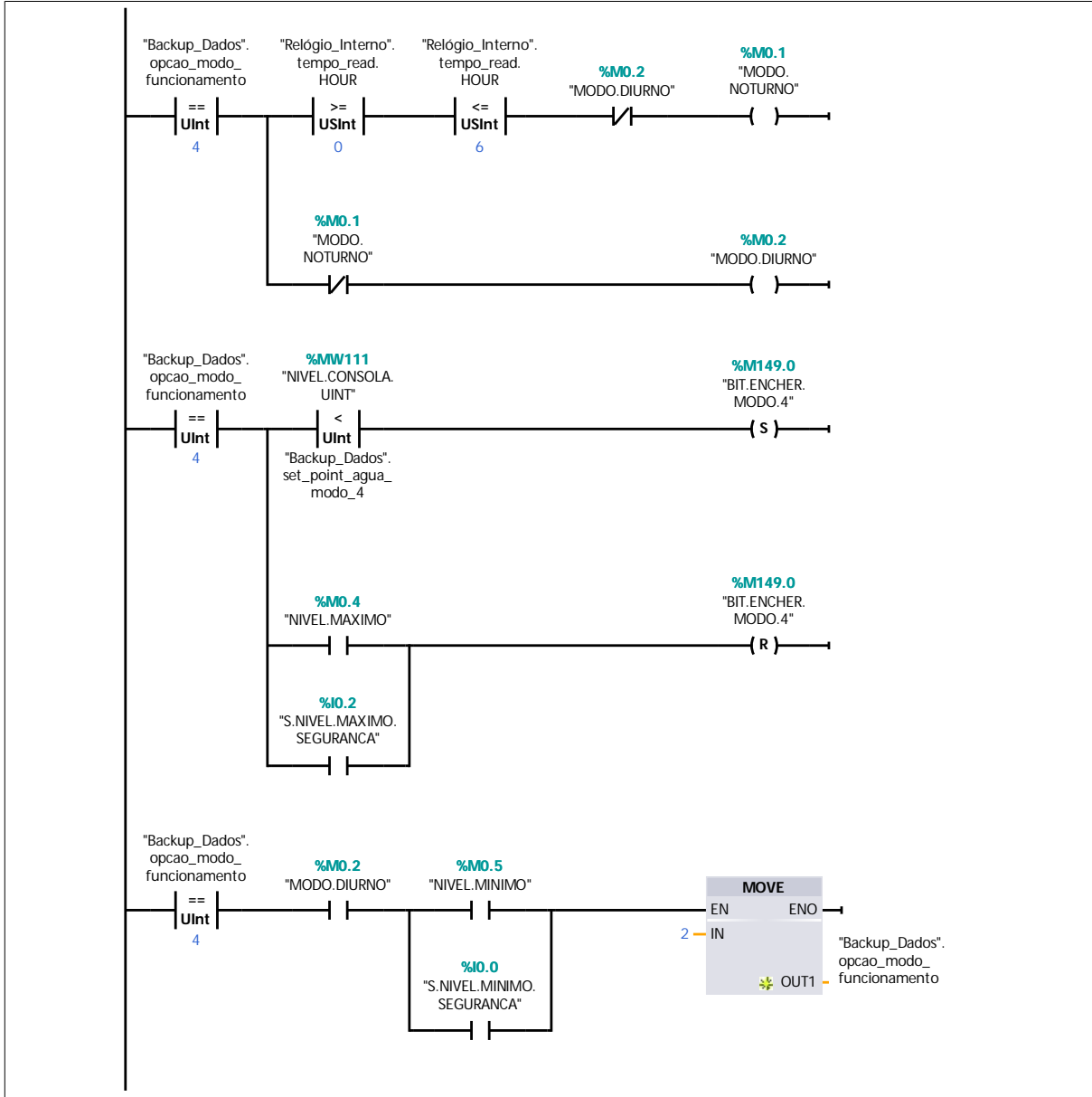
Symbol	Address	Type	Comment
3	3	Int	
"SET.POINT.DIFERENCIAL"	%MW31	UInt	
"SOMA.DIFERENCIAL.SET.POINT"	%MW91	UInt	
"NIVEL.CONSO.LA.UINT"	%MW111	UInt	
"BIT.ENCHER.MODO.3"	%M115.3	Bool	
"Backup_Dados"	%DB4	Block_DB	
"Backup_Dados".opcao_modofuncionamento		UInt	

Owner	Project name	Abastecimento de água V11 - 1212C - Final	Date	6/21/2012
	Project Path	D:\Documents and Settings\Tiago\Desktop\Dissertação Mestrado V11\Abastecimento de água V11 - 1212C - Final		
Operator	Location			
	Description 1st			
Designed By	Description 2nd		Language	en-US
Checked By	1st View	Version	Sheet 2 - 17	
Approved By				

Symbol	Address	Type	Comment
"Backup_Dados".set_point_agua_modo_2		UInt	
"Backup_Dados".diferencial_modo_3		UInt	

Network 8: MODO 4

- Modo 4 de funcionamento



Symbol	Address	Type	Comment
2	2	Int	
4	4	Int	
"MODO.DIURNO"	%M0.2	Bool	

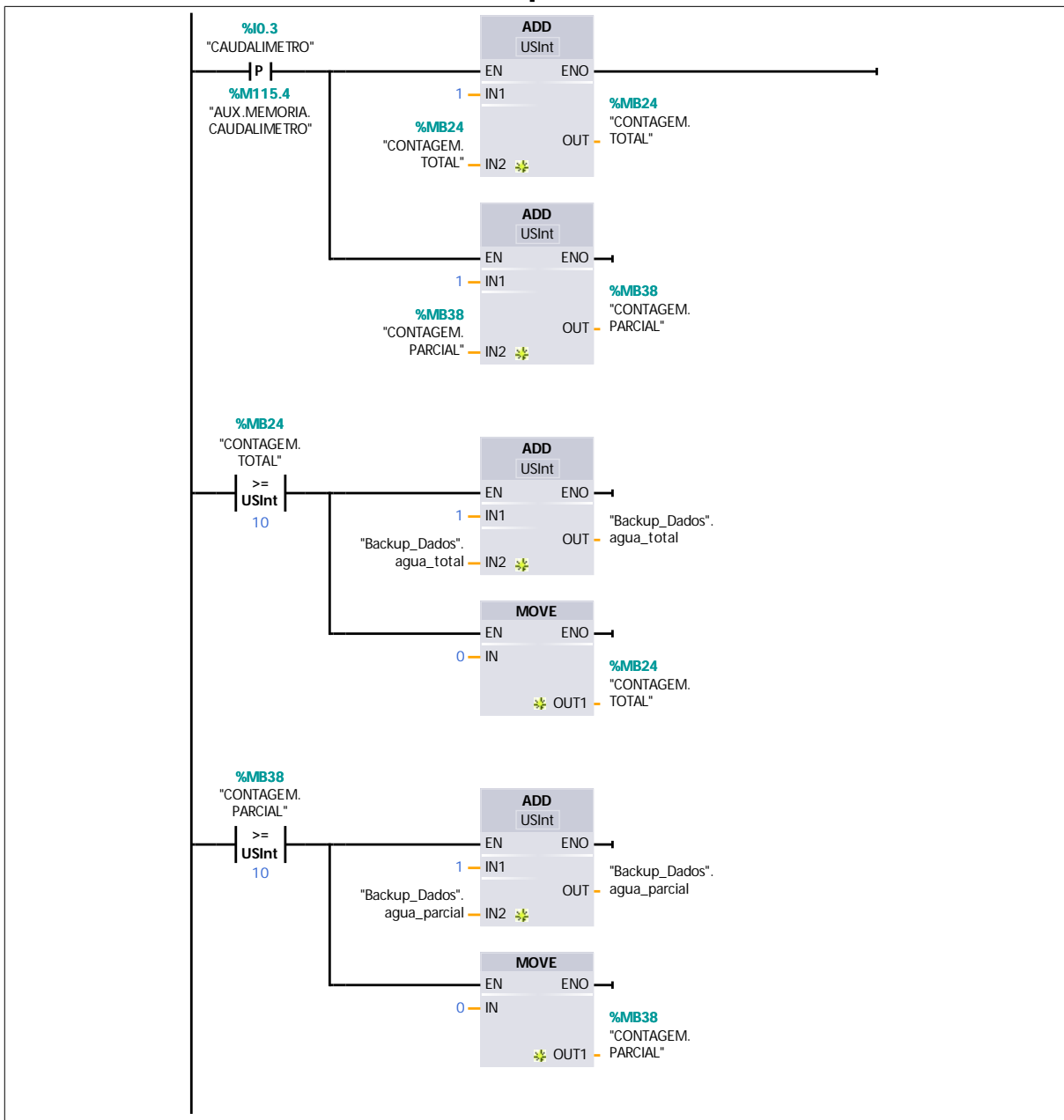
Owner	Project name	Abastecimento de água V11 - 1212C - Final	Date	6/21/2012
	Operator	Project Path D:\Documents and Settings\Tiago\Desktop\Dissertação Mestrado V11\Abastecimento de água V11 - 1212C - Final		
Designed By	Location			
	Description 1st			
Checked By	Description 2nd		Language	en-US
Approved By	1st View	Version	Sheet 2 - 18	

Symbol	Address	Type	Comment
0	0	Int	
"NIVEL.MAXIMO"	%MO.4	Bool	
"MODO.NOTURNO"	%MO.1	Bool	
6	6	Int	
"NIVEL.MINIMO"	%MO.5	Bool	
"NIVEL.CONSO- LA.UINT"	%MW111	UInt	
"S.NIVEL.MAXIMO.SE- GURANCA"	%IO.2	Bool	
"S.NIVEL.MINIMO.SE- GURANCA"	%IO.0	Bool	
"BIT.ENCHER.MODO. 4"	%M149.0	Bool	
"Relógio_Interno"	%DB3	Block_DB	
"Backup_Dados"	%DB4	Block_DB	
"Backup_Dados".op- cao_modos_funciona- mento		UInt	
"Backup_Da- dos".set_point_agua_ modo_4		UInt	
"Relógio_Inter- no".tem- po_read.HOUR		USInt	

Network 9: QUANTIDADES DE ÁGUA NO TANQUE

- Indica a quantidade de água fornecida em m3 (TOTAL) e apresenta valor em m3 - a cada 10 x 0.1 m3 adiciona 1 (TOTAL)

Owner	Project name	Abastecimento de água V11 - 1212C - Final	Date	6/21/2012
	Operator	Project Path D:\Documents and Settings\Tiago\Desktop\Dissertação Mestrado V11\Abastecimento de água V11 - 1212C - Final		
Designed By	Location			
Checked By	Description 1st	Language en-US		
Approved By	Description 2nd	1st View	Version	Sheet 2 - 19



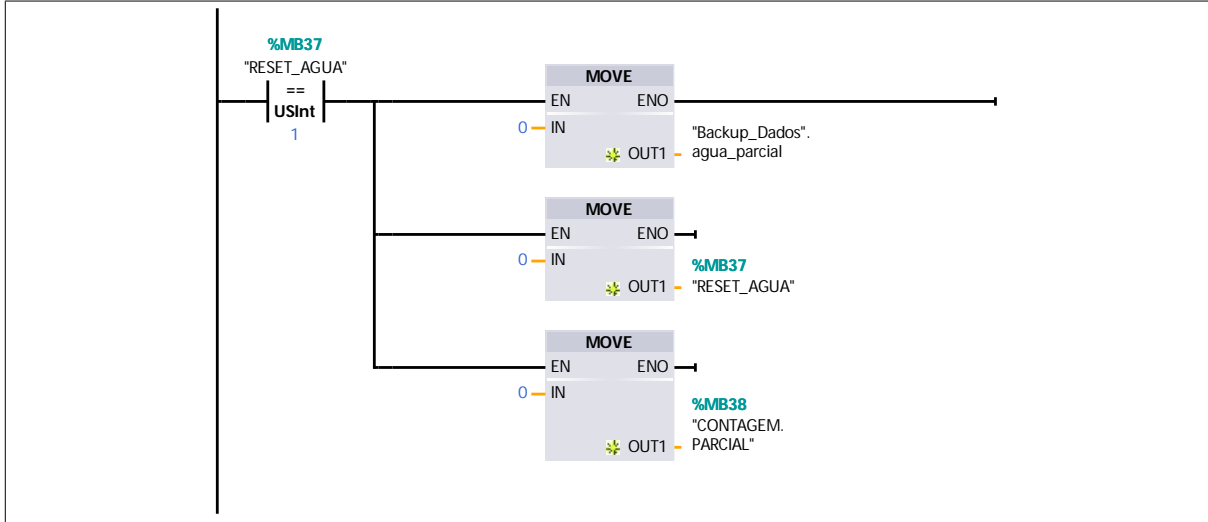
Symbol	Address	Type	Comment
1	1	Int	
0	0	Int	
"CONTAGEM.TOTAL"	%MB24	USInt	
10	10	Int	
"CAUDALIMETRO"	%IO.3	Bool	
"CONTAGEM.PARCIAL"	%MB38	USInt	
"AUX.MEMORIA.CAUDALIMETRO"	%M115.4	Bool	
"Backup_Dados"	%DB4	Block_DB	
"Backup_Dados".agua_total		USInt	

Owner	Project name	Abastecimento de água V11 - 1212C - Final	Date	6/21/2012
	Project Path	D:\Documents and Settings\Tiago\Desktop\Dissertação Mestrado V11\Abastecimento de água V11 - 1212C - Final		
Operator	Location			
	Description 1st			
Designed By	Description 2nd			
Checked By	1st View		Language	en-US
Approved By	Version		Sheet 2 - 20	

Symbol	Address	Type	Comment
"Backup_Dados".agua_parcial		USInt	

Network 10: RESET ÀS QUANTIDADES DE ÁGUA NO TANQUE

- Faz reset às respetivas variáveis de água parcial e contagem parcial

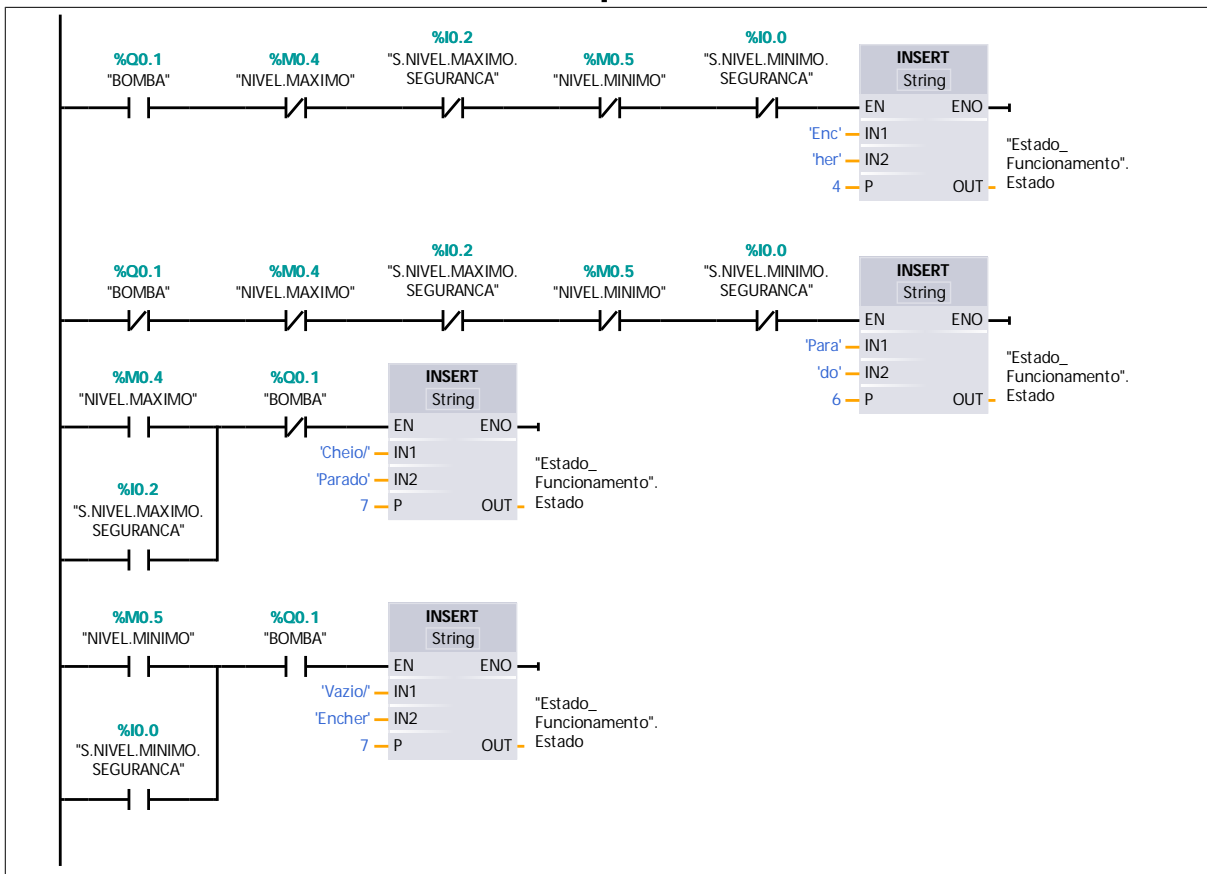


Symbol	Address	Type	Comment
1	1	Int	
0	0	Int	
"CONTAGEM.PARCIAL"	%MB38	USInt	
"RESET_AGUA"	%MB37	USInt	
"Backup_Dados"	%DB4	Block_DB	
"Backup_Dados".agua_parcial		USInt	

Network 11: INDICAÇÕES DO ESTADO DE FUNCIONAMENTO DO SISTEMA NA CONSOLA

- Indicações do funcionamento da bomba e nível do tanque

Owner	Project name	Abastecimento de água V11 - 1212C - Final	Date	6/21/2012
	Operator	Project Path D:\Documents and Settings\Tiago\Desktop\Dissertação Mestrado V11\Abastecimento de água V11 - 1212C - Final		
Designed By	Location			
Checked By	Description 1st	Language en-US		
Approved By	Description 2nd	1st View	Version	Sheet 2 - 21

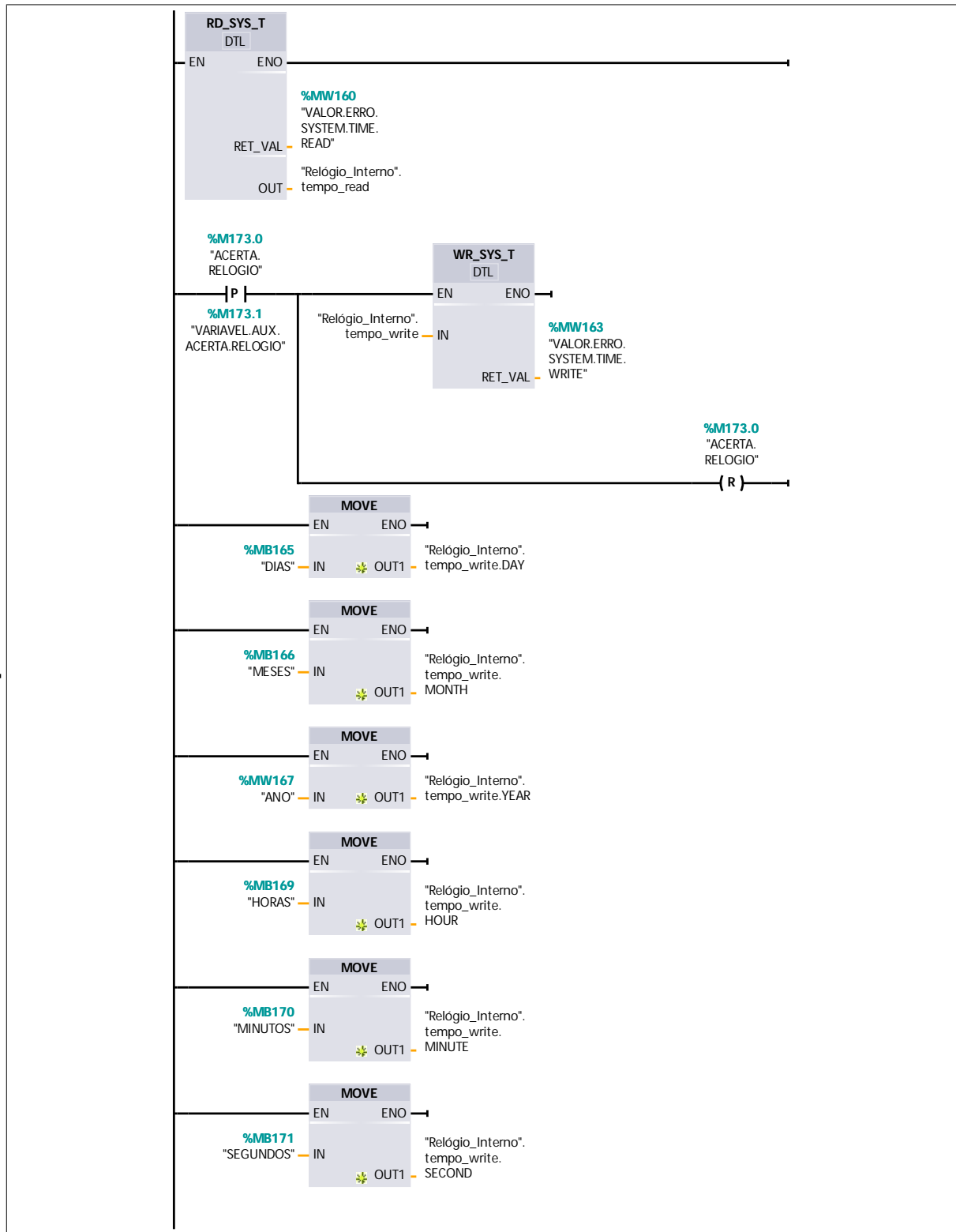


Symbol	Address	Type	Comment
4	4	Int	
"NIVEL.MAXIMO"	%M0.4	Bool	
"BOMBA"	%Q0.1	Bool	
7	7	Int	
6	6	Int	
"NIVEL.MINIMO"	%M0.5	Bool	
'do'	'do'	String	
"Estado_Funcionamento"	%DB1	Block_DB	
"Estado_Funcionamento".Estado		String	
'Para'	'Para'	String	
'Enc'	'Enc'	String	
'her'	'her'	String	
"S.NIVEL.MAXIMO.SEGURANCA"	%I0.2	Bool	
"S.NIVEL.MINIMO.SEGURANCA"	%I0.0	Bool	
'Cheio/'	'Cheio/'	String	
'Parado'	'Parado'	String	
'Vazio/'	'Vazio/'	String	
'Encher'	'Encher'	String	

Owner	Project name	Abastecimento de água V11 - 1212C - Final	Date	6/21/2012	
	Operator	Project Path D:\Documents and Settings\Tiago\Desktop\Dissertação Mestrado V11\Abastecimento de água V11 - 1212C - Final			
Designed By	Location				
	Description 1st				
	Checked By		Language		en-US
Approved By	1st View		Version	Sheet	2 - 22

Network 12: RELÓGIO INTERNO DO SISTEMA

- Implementa o relógio interno do sistema

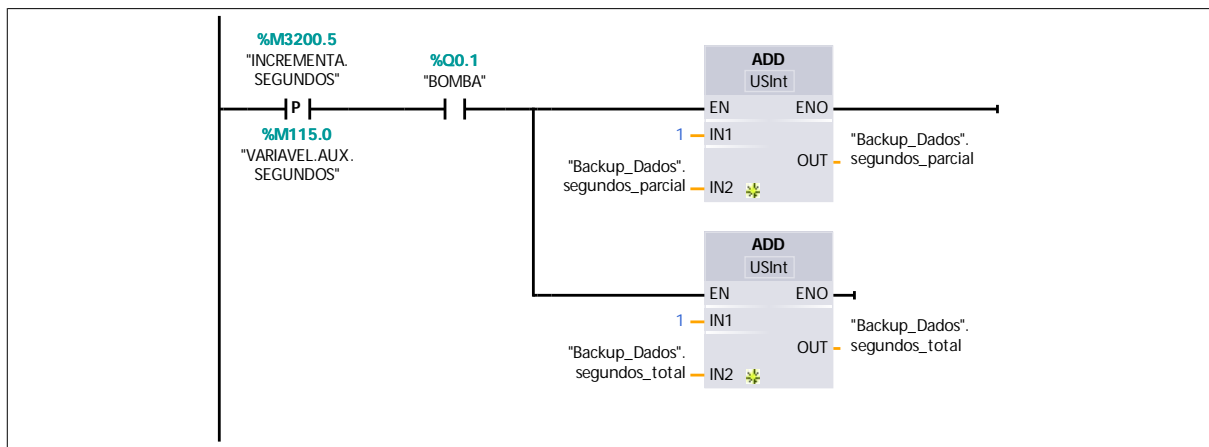


Owner	Project name	Abastecimento de água V11 - 1212C - Final	Date	6/21/2012
	Project Path	D:\Documents and Settings\Tiago\Desktop\Dissertação Mestrado V11\Abastecimento de água V11 - 1212C - Final		
Operator	Location			
	Description 1st			
Designed By	Description 2nd		Language	en-US
Checked By	1st View	Version	Sheet 2 - 23	

Symbol	Address	Type	Comment
"Relógio_Interno"	%DB3	Block_DB	
"VALOR.ERRO.SYS-TEM.TIME.READ"	%MW160	Int	
"VALOR.ERRO.SYS-TEM.TIME.WRITE"	%MW163	Int	
"DIAS"	%MB165	USInt	
"MESES"	%MB166	USInt	
"ANO"	%MW167	UInt	
"HORAS"	%MB169	USInt	
"MINUTOS"	%MB170	USInt	
"ACERTA.RELOGIO"	%M173.0	Bool	
"VARIABEL.AUX.ACER-TA.RELOGIO"	%M173.1	Bool	
"SEGUNDOS"	%MB171	USInt	
"Relógio_Interno".tempo_read		DTL	
"Relógio_Interno".tempo_write		DTL	
"Relógio_Interno".tempo_write.DAY		USInt	
"Relógio_Interno".tempo_write.MONTH		USInt	
"Relógio_Interno".tempo_write.YEAR		UInt	
"Relógio_Interno".tempo_write.HOUR		USInt	
"Relógio_Interno".tempo_write.MINUTE		USInt	
"Relógio_Interno".tempo_write.SECOND		USInt	

Network 13: SEGUNDOS DO RELÓGIO PARCIAL E TOTAL DA BOMBA

- Incrementa os segundos do relógio do tempo parcial e total de funcionamento da bomba



Owner	Project name	Abastecimento de água V11 - 1212C - Final	Date	6/21/2012
	Project Path	D:\Documents and Settings\Tiago\Desktop\Dissertação Mestrado V11\Abastecimento de água V11 - 1212C - Final		
Operator	Location			
Designed By	Description 1st			
Checked By	Description 2nd	Language	en-US	
Approved By	1st View	Version	Sheet 2 - 24	

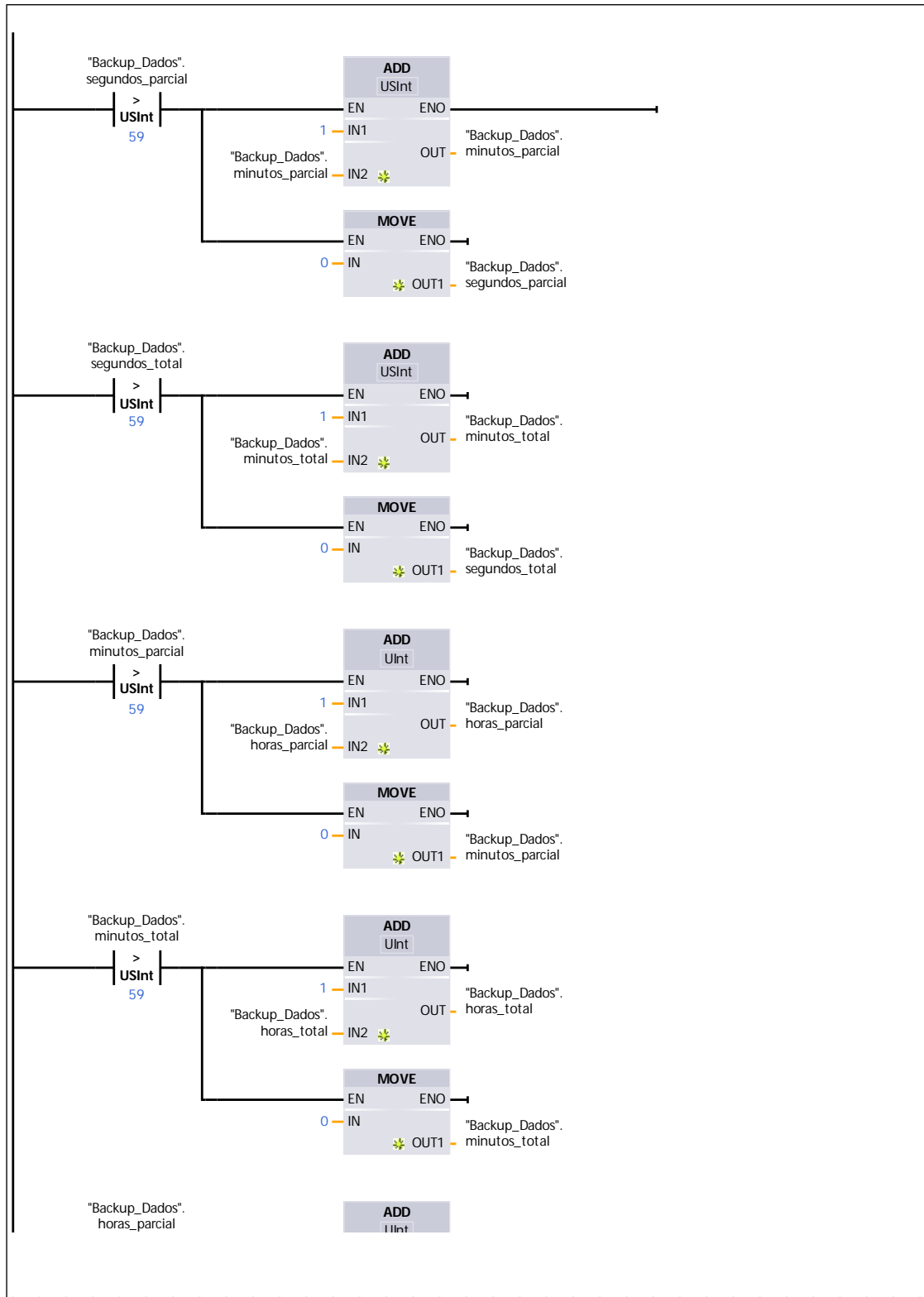
Symbol	Address	Type	Comment
1	1	Int	
"BOMBA"	%Q0.1	Bool	
"INCREMENTA.SEGUNDOS"	%M3200.5	Bool	
"VARIABLE.AUX.SEGUNDOS"	%M115.0	Bool	
"Backup_Dados"	%DB4	Block_DB	
"Backup_Dados".segundos_parcial		USInt	
"Backup_Dados".segundos_total		USInt	

Network 14: MINUTOS, HORAS E DIAS DO RELÓGIO PARCIAL E TOTAL DA BOMBA

- Incrementa os minutos do tempo parcial e total e faz reset aos segundos do tempo parcial e total

Owner	Project name	Abastecimento de água V11 - 1212C - Final	Date	6/21/2012
	Operator	Project Path D:\Documents and Settings\Tiago\Desktop\Dissertação Mestrado V11\Abastecimento de água V11 - 1212C - Final		
Designed By	Location			
Checked By	Description 1st	Language en-US		
Approved By	Description 2nd	1st View	Version	Sheet 2 - 25

Network 14: MINUTOS, HORAS E DIAS DO RELÓGIO PARCIAL E TOTAL DA BOMBA (1.1 / 2.1)

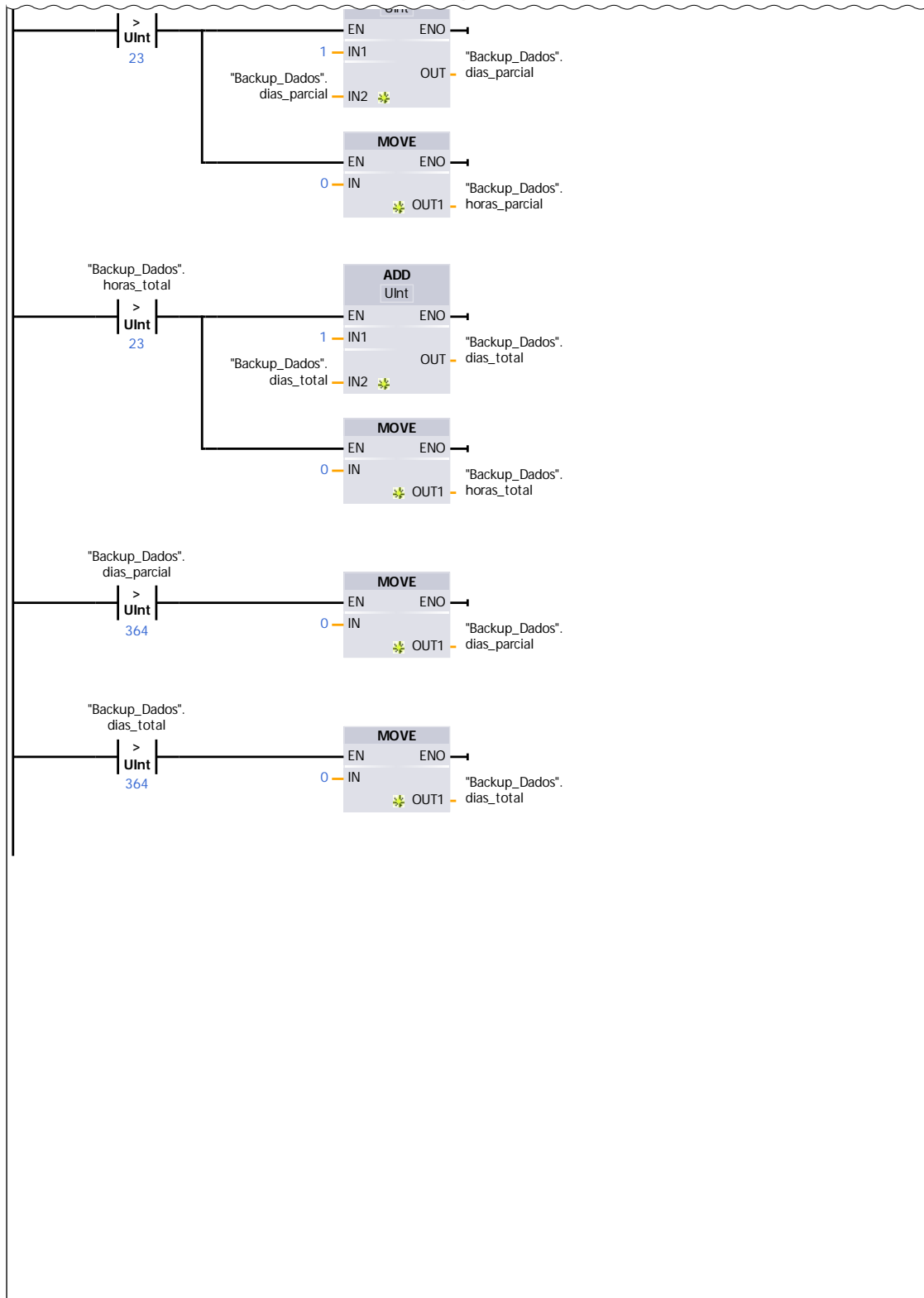


2.1 (page 2 - 27)

Owner	Project name	Abastecimento de água V11 - 1212C - Final	Date	6/21/2012
	Project Path	D:\Documents and Settings\Tiago\Desktop\Dissertação Mestrado V11\Abastecimento de água V11 - 1212C - Final		
Operator	Location			
	Description 1st			
Designed By	Description 2nd		Language	en-US
Checked By	1st View	Version	Sheet 2 - 26	
Approved By				

Network 14: MINUTOS, HORAS E DIAS DO RELÓGIO PARCIAL E TOTAL DA BOMBA (2.1 / 2.1)

1.1 (page 2 - 26)

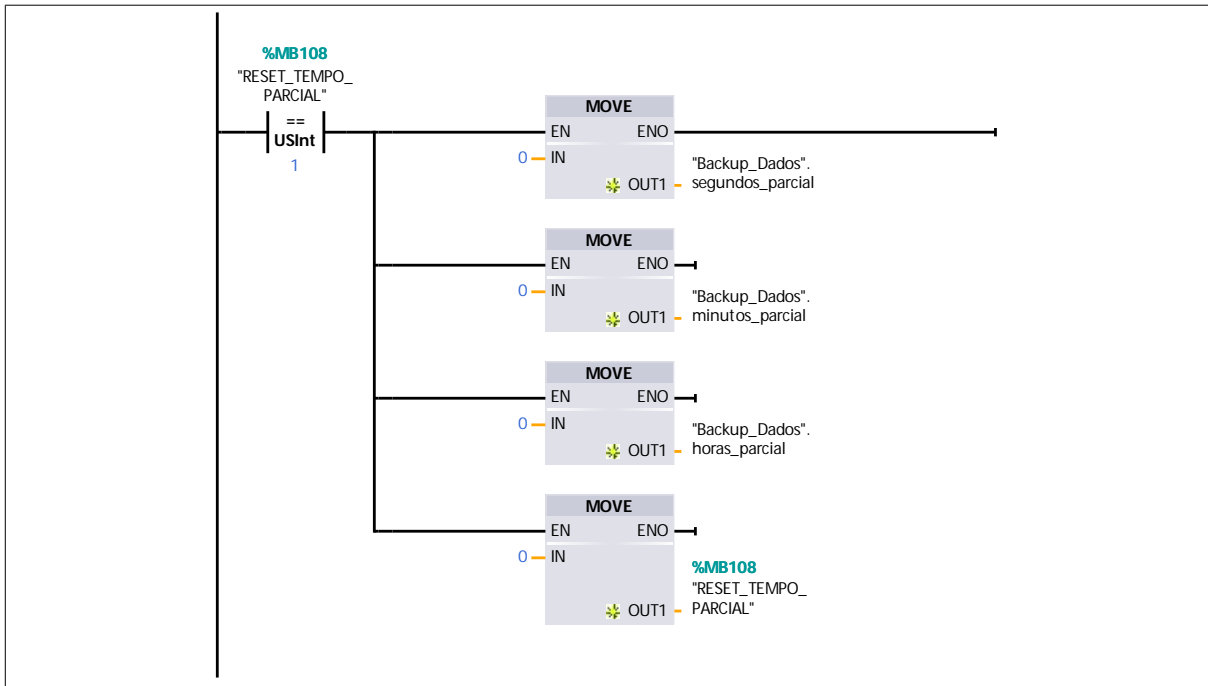


Owner	Project name	Abastecimento de água V11 - 1212C - Final	Date	6/21/2012
	Operator	Project Path D:\Documents and Settings\Tiago\Desktop\Dissertação Mestrado V11\Abastecimento de água V11 - 1212C - Final		
Designed By	Location			
Checked By	Description 1st	Language		
Approved By	Description 2nd	en-US	Version	
	1st View		Sheet	2 - 27

Symbol	Address	Type	Comment
1	1	Int	
0	0	Int	
59	59	Int	
23	23	Int	
364	364	Int	
"Backup_Dados"	%DB4	Block_DB	
"Backup_Dados".dias_total		UInt	
"Backup_Dados".dias_parcial		UInt	
"Backup_Dados".horas_total		UInt	
"Backup_Dados".horas_parcial		UInt	
"Backup_Dados".minutos_total		USInt	
"Backup_Dados".minutos_parcial		USInt	
"Backup_Dados".segundos_parcial		USInt	
"Backup_Dados".segundos_total		USInt	

Network 15: RESET DO TEMPO PARCIAL (CONSOLA)

- Faz RESET ao tempo parcial através da consola



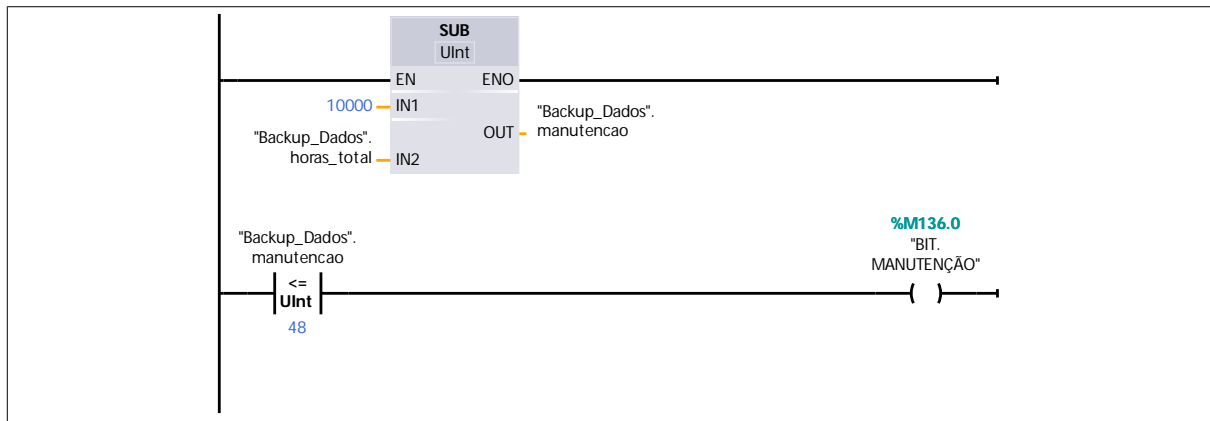
Symbol	Address	Type	Comment
1	1	Int	
0	0	Int	

Owner	Project name	Abastecimento de água V11 - 1212C - Final	Date	6/21/2012	
	Operator	Project Path D:\Documents and Settings\Tiago\Desktop\Dissertação Mestrado V11\Abastecimento de água V11 - 1212C - Final			
Designed By	Location				
	Description 1st				
	Checked By		Description 2nd		Language
Approved By	1st View		Version	Sheet	2 - 28

Symbol	Address	Type	Comment
"RESET_TEMPO_PARCIAL"	%MB108	USInt	
"Backup_Dados"	%DB4	Block_DB	
"Backup_Dados".horas_parcial		UInt	
"Backup_Dados".minutos_parcial		USInt	
"Backup_Dados".segundos_parcial		USInt	

Network 16: MANUTENÇÃO DA BOMBA

- Permite calcular o número de horas restantes para manutenção da bomba (tempo predefinido para próxima manutenção: 10000 horas)

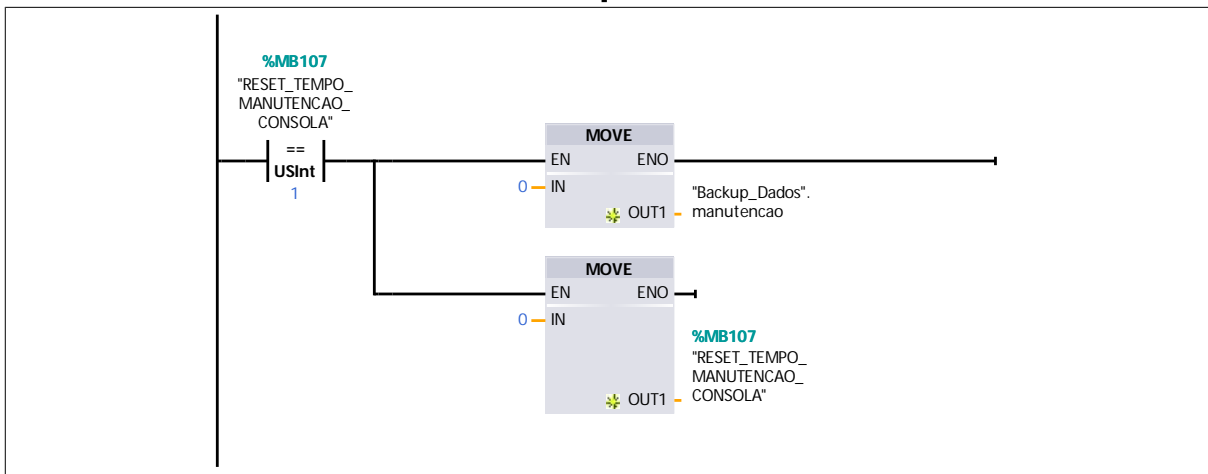


Symbol	Address	Type	Comment
10000	10000	Int	
48	48	Int	
"BIT.MANUTENÇÃO"	%M136.0	Bool	
"Backup_Dados"	%DB4	Block_DB	
"Backup_Dados".horas_total		UInt	
"Backup_Dados".manutencao		UInt	

Network 17: RESET MANUTENÇÃO DA BOMBA

- Permite fazer reset ao tempo de manutenção através da consola

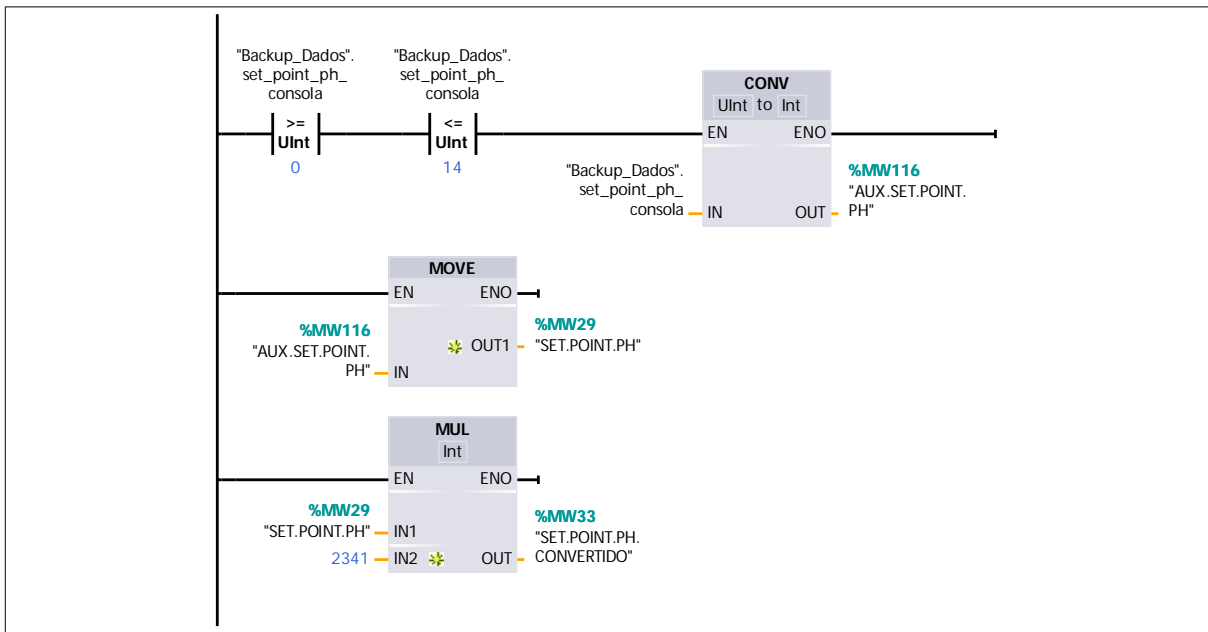
Owner	Project name	Abastecimento de água V11 - 1212C - Final	Date	6/21/2012
	Operator	Project Path D:\Documents and Settings\Tiago\Desktop\Dissertação Mestrado V11\Abastecimento de água V11 - 1212C - Final		
Designed By	Location			
	Description 1st			
Checked By	Description 2nd		Language	en-US
Approved By	1st View	Version	Sheet 2 - 29	



Symbol	Address	Type	Comment
1	1	Int	
0	0	Int	
"RESET_TEMPO_MANUTENCAO_CONSOLA"	%MB107	USInt	
"Backup_Dados"	%DB4	Block_DB	
"Backup_Dados".manutencao		UInt	

Network 18: ATRIBUIÇÃO DO SET-POINT DO PH NA CONSOLA

- Converte os valores de pH introduzidos na consola para valores de cálculos; Só aceita valores entre 0 e 14



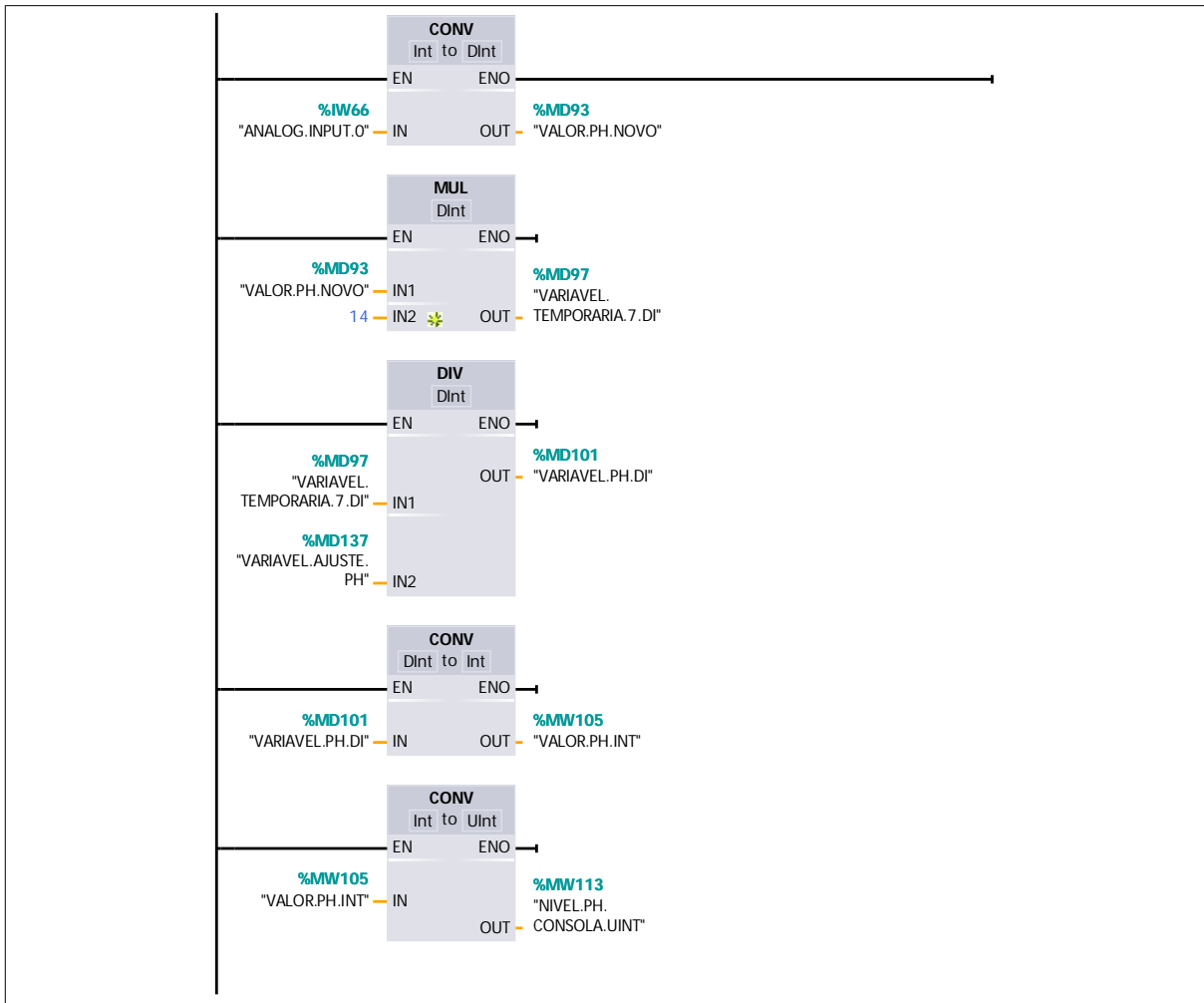
Symbol	Address	Type	Comment
0	0	Int	
14	14	Int	

Owner	Project name	Abastecimento de água V11 - 1212C - Final	Date	6/21/2012
	Project Path	D:\Documents and Settings\Tiago\Desktop\Dissertação Mestrado V11\Abastecimento de água V11 - 1212C - Final		
Operator	Location			
	Description 1st			
Designed By	Description 2nd	Language	en-US	
Checked By	1st View	Version	Sheet 2 - 30	
Approved By				

Symbol	Address	Type	Comment
"SET.POINT.PH.CONVERTIDO"	%MW33	Int	
"AUX.SET.POINT.PH"	%MW116	Int	
"SET.POINT.PH"	%MW29	Int	
2341	2341	Int	
"Backup_Dados"	%DB4	Block_DB	
"Backup_Dados".set_point_ph_consola		UInt	

Network 19: VALOR DO PH NA CONSOLA

- Apresenta o valor do pH na consola



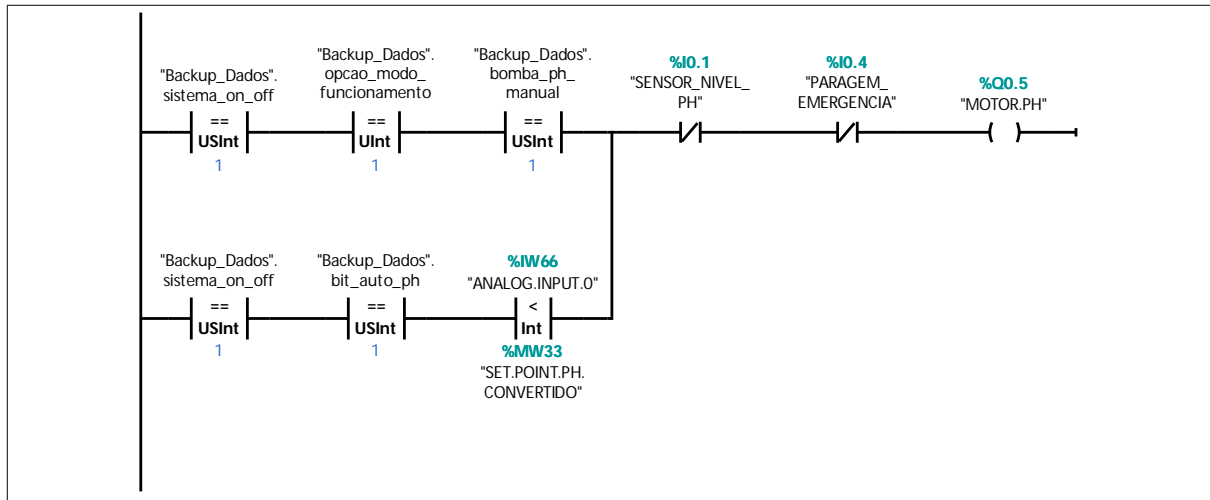
Symbol	Address	Type	Comment
14	14	Int	
"ANALOG.INPUT.0"	%IW66	Int	
"VALOR.PH.NOVO"	%MD93	DInt	
"VARIABLE.TEMPORARIA.7.DI"	%MD97	DInt	

Owner	Project name	Abastecimento de água V11 - 1212C - Final	Date	6/21/2012	
	Operator	Project Path D:\Documents and Settings\Tiago\Desktop\Dissertação Mestrado V11\Abastecimento de água V11 - 1212C - Final			
Designed By	Location				
	Description 1st				
	Checked By		Description 2nd		Language
Approved By	1st View		Version	Sheet 2 - 31	

Symbol	Address	Type	Comment
"VARIABLE.PH.DI"	%MD101	DInt	
"VALOR.PH.INT"	%MW105	Int	
"NIVEL.PH.CONSO-LA.UINT"	%MW113	UInt	
"VARIABLE.AJUSTE.PH"	%MD137	DInt	

Network 20: ATIVAÇÃO DA BOMBA DO PH

- Situações que ativam a bomba do pH

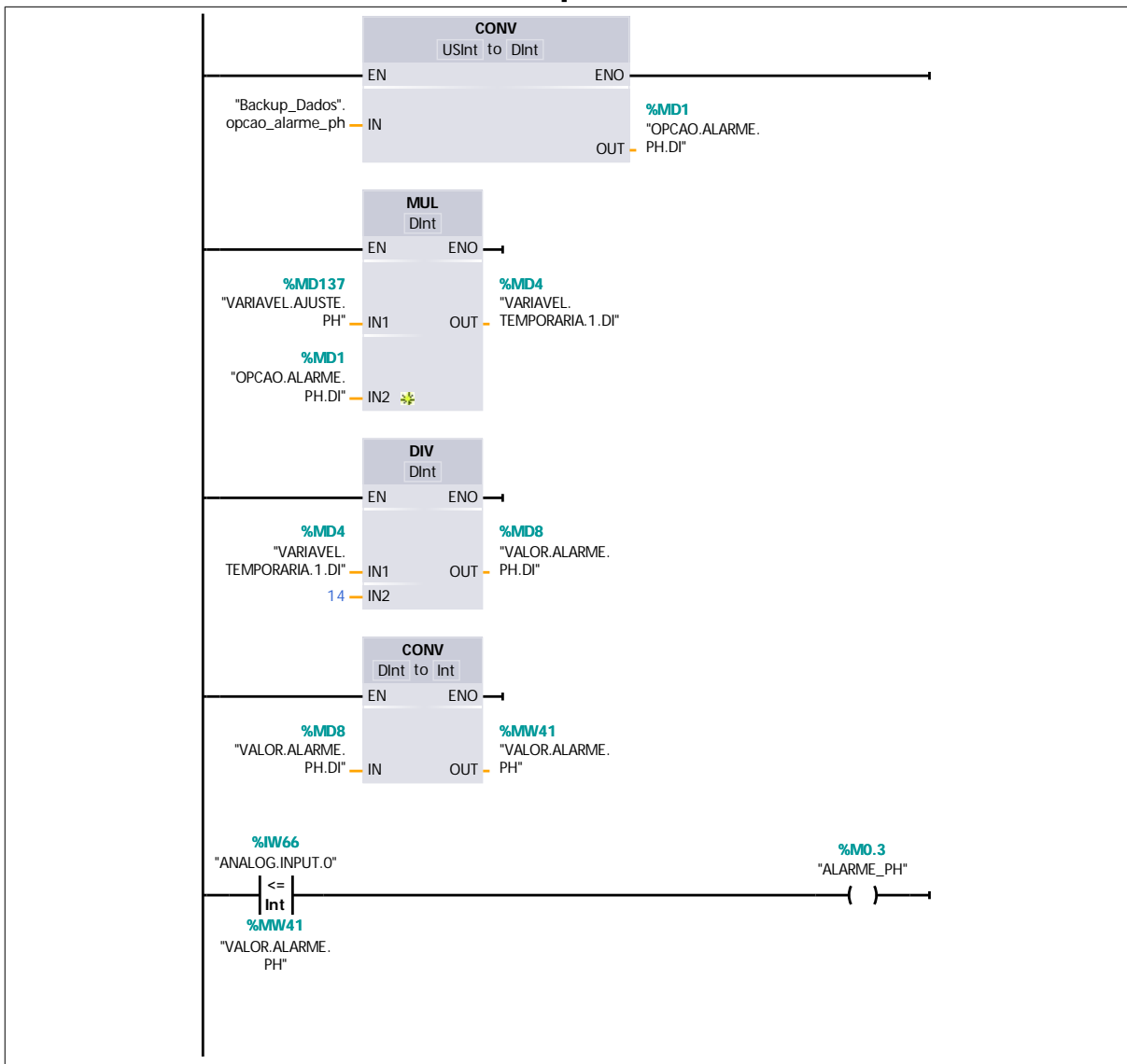


Symbol	Address	Type	Comment
1	1	Int	
"PARAGEM_EMERGENCIA"	%I0.4	Bool	
"ANALOG.INPUT.0"	%IW66	Int	
"SET.POINT.PH.CONVERTIDO"	%MW33	Int	
"SENSOR_NIVEL_PH"	%I0.1	Bool	
"MOTOR.PH"	%Q0.5	Bool	
"Backup_Dados"	%DB4	Block_DB	
"Backup_Dados".bomba_ph_manual		UInt	
"Backup_Dados".opcao_modofuncionamento		UInt	
"Backup_Dados".bit_auto_ph		UInt	
"Backup_Dados".sistema_on_off		UInt	

Network 21: CONVERSOR DE PH E RESPETIVO VALOR DE ALARME

- Converte o valor de alarme do pH definido de [0,14] para [0,27648] e ativa o alarme quando necessário

Owner	Project name	Abastecimento de água V11 - 1212C - Final	Date	6/21/2012
Operator	Project Path	D:\Documents and Settings\Tiago\Desktop\Dissertação Mestrado V11\Abastecimento de água V11 - 1212C - Final		
Designed By	Location			
Checked By	Description 1st			
Approved By	Description 2nd	Language	en-US	
	1st View	Version	Sheet 2 - 32	



Symbol	Address	Type	Comment
"ALARME_PH"	%MO.3	Bool	
"OP-CAO.ALARME.PH.DI"	%MD1	DInt	
"VARIAVEL.TEMPORARIA.1.DI"	%MD4	DInt	
14	14	Int	
"VALOR.ALARME.PH.DI"	%MD8	DInt	
"ANALOG.INPUT.0"	%IW66	Int	
"VALOR.ALARME.PH"	%MW41	Int	
"VARIAVEL.AJUSTE.PH"	%MD137	DInt	
"Backup_Dados"	%DB4	Block_DB	
"Backup_Dados".opcao_alarme_ph		USInt	

Owner	Project name	Abastecimento de água V11 - 1212C - Final	Date	6/21/2012
	Project Path	D:\Documents and Settings\Tiago\Desktop\Dissertação Mestrado V11\Abastecimento de água V11 - 1212C - Final		
Operator	Location			
	Description 1st			
Designed By	Description 2nd		Language	en-US
Checked By	1st View	Version	Sheet 2 - 33	

1

2

3

4

A

Network 22: VELOCIDADE DO MOTOR DO PH (%) DA CONSOLA

- Converte a velocidade em % da consola no modo manual para um valor de [0,27648]

B

C

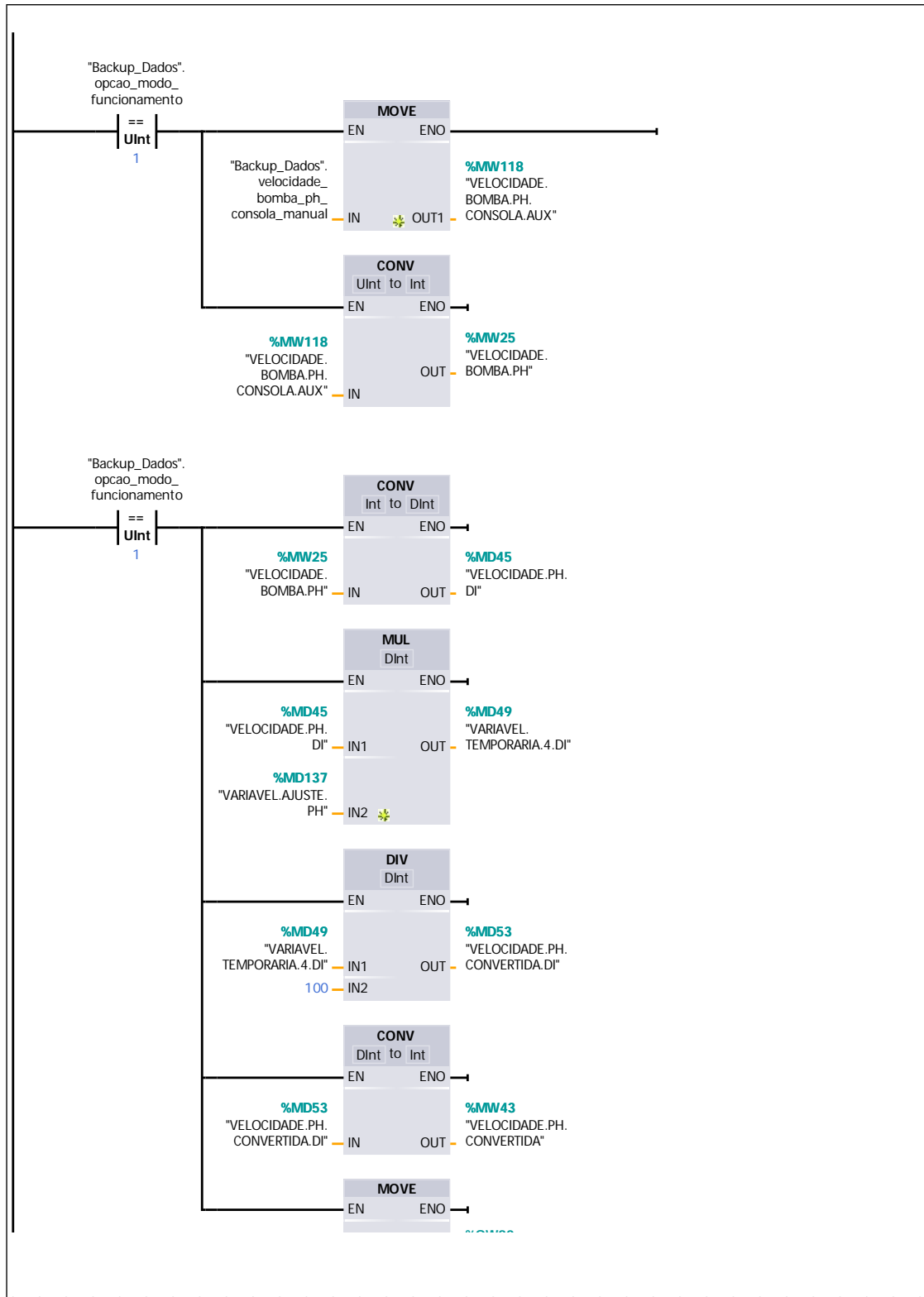
D

E

F

Owner	Project name	Abastecimento de água V11 - 1212C - Final	Date	6/21/2012
Operator	Project Path	D:\Documents and Settings\Tiago\Desktop\Dissertação Mestrado V11\Abastecimento de água V11 - 1212C - Final		
	Location			
Designed By	Description 1st			
Checked By	Description 2nd	Language	en-US	
Approved By	1st View	Version	Sheet 2 - 34	

Network 22: VELOCIDADE DO MOTOR DO PH (%) DA CONSOLA (1.1 / 2.1)



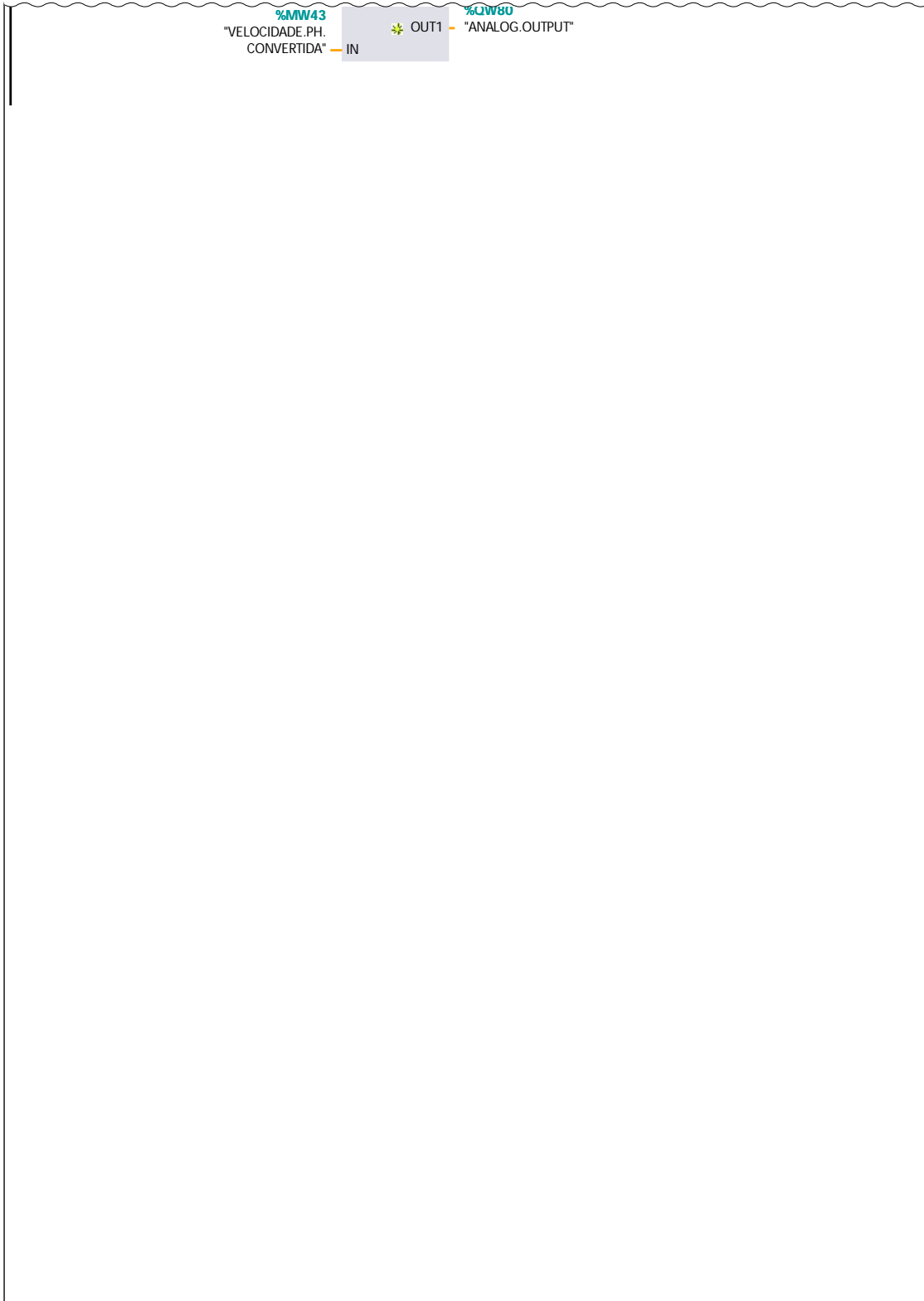
2.1 (page 2 - 36)

Owner	Project name	Abastecimento de água V11 - 1212C - Final	Date	6/21/2012
	Project Path	D:\Documents and Settings\Tiago\Desktop\Dissertação Mestrado V11\Abastecimento de água V11 - 1212C - Final		
Operator	Location			
	Description 1st			
Designed By	Description 2nd	Language	en-US	
Checked By	1st View	Version	Sheet 2 - 35	

1 2 3 4

A **Network 22: VELOCIDADE DO MOTOR DO PH (%) DA CONSOLA (2.1 / 2.1)**

1.1 (page 2 - 35)



B

C

D

E

F

Owner	Project name	Abastecimento de água V11 - 1212C - Final	Date	6/21/2012
	Operator	Project Path D:\Documents and Settings\Tiago\Desktop\Dissertação Mestrado V11\Abastecimento de água V11 - 1212C - Final		
Designed By	Location			
Checked By	Description 1st	Language en-US		
Approved By	Description 2nd	1st View	Version	Sheet 2 - 36

Symbol	Address	Type	Comment
1	1	Int	
"VELOCIDADE.BOM-BA.PH"	%MW25	Int	
"VELOCIDADE.PH.CONVERTIDA"	%MW43	Int	
"VELOCIDADE.PH.DI"	%MD45	DInt	
"VARIABLE.TEMPORARIA.4.DI"	%MD49	DInt	
100	100	Int	
"VELOCIDADE.PH.CONVERTIDA.DI"	%MD53	DInt	
"ANALOG.OUTPUT"	%QW80	Int	
"VELOCIDADE.BOM-BA.PH.CONSOLE.AUX"	%MW118	UInt	
"VARIABLE.AJUSTE.PH"	%MD137	DInt	
"Backup_Dados"	%DB4	Block_DB	
"Backup_Dados".velocidade_bomba_ph_consola_manual		UInt	
"Backup_Dados".opcao_modofuncionamento		UInt	

Network 23: CÁLCULOS DA VELOCIDADE DE ROTAÇÃO DO MOTOR DO PH - PROPORCIONAL À % DE DESVIO DO SET-POINT

- Cálculos da velocidade de rotação do motor de pH no modo automático, de forma a que a velocidade seja sempre proporcional à % de desvio do set-point do pH

Owner	Project name	Abastecimento de água V11 - 1212C - Final	Date	6/21/2012
	Operator	Project Path D:\Documents and Settings\Tiago\Desktop\Dissertação Mestrado V11\Abastecimento de água V11 - 1212C - Final		
Designed By	Location			
Checked By	Description 1st	Language en-US		
Approved By	Description 2nd	1st View	Version	Sheet 2 - 37

A

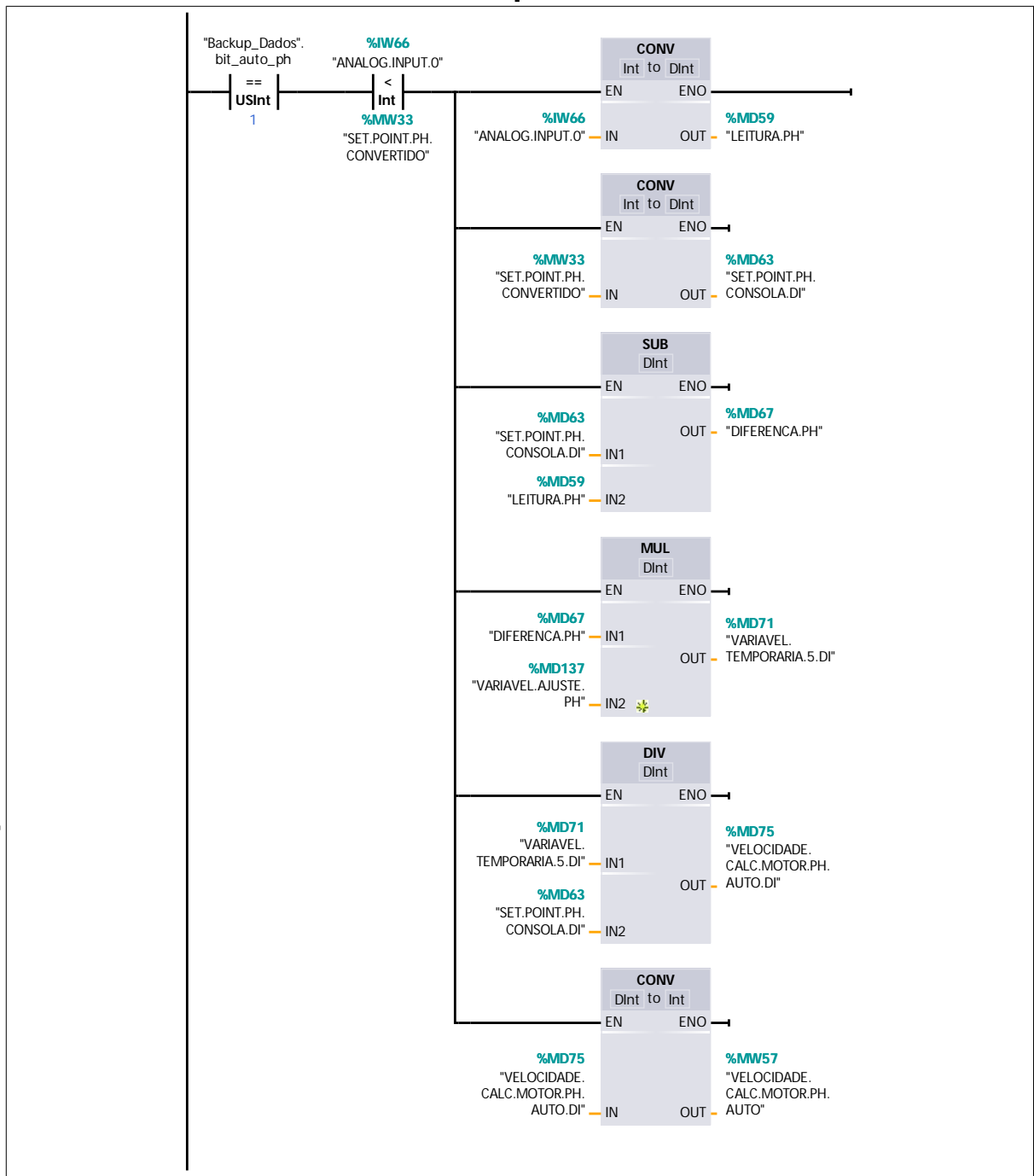
B

C

D

E

F



Symbol	Address	Type	Comment
1	1	Int	
"ANALOG.INPUT.0"	%IW66	Int	
"SET.POINT.PH.CONVERTIDO"	%MW33	Int	
"VELOCIDADE.CALC.MOTOR.PH.AUTO"	%MW57	Int	
"LEITURA.PH"	%MD59	DInt	

Owner

Project name Abastecimento de água V11 - 1212C - Final

Date 6/21/2012

Operator

Project Path

D:\Documents and Settings\Tiago\Desktop\Dissertação Mestrado V11\Abastecimento de água V11 - 1212C - Final

Location

Designed By

Description 1st

Checked By

Description 2nd

Language en-US

Approved By

1st View

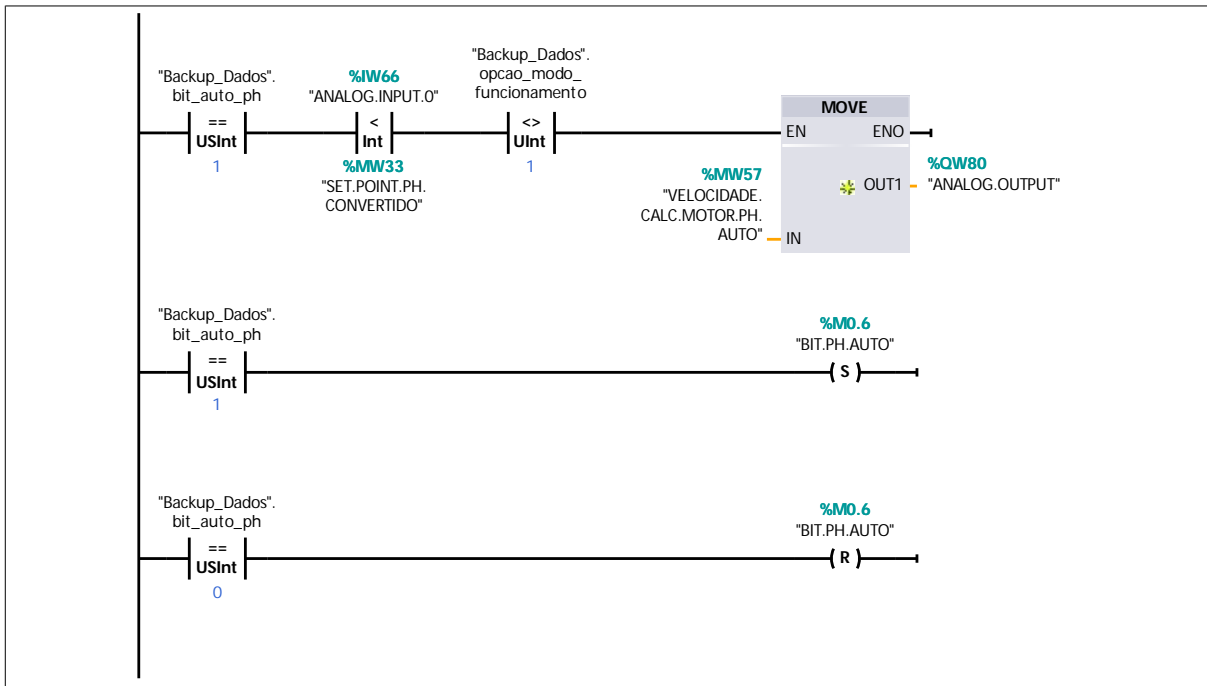
Version

Sheet 2 - 38

Symbol	Address	Type	Comment
"SET.POINT.PH.CON-SOLA.DI"	%MD63	DInt	
"DIFERENCA.PH"	%MD67	DInt	
"VARIAVEL.TEMPORA-RIA.5.DI"	%MD71	DInt	
"VELOCI-DADE.CALC.MO-TOR.PH.AUTO.DI"	%MD75	DInt	
"VARIA-VEL.AJUSTE.PH"	%MD137	DInt	
"Backup_Dados"	%DB4	Block_DB	
"Backup_Da-dos".bit_auto_ph		USInt	

Network 24: VELOCIDADE DO MOTOR DO PH NO MODO AUTOMÁTICO

- Atribui a velocidade calculada ao motor do pH quando seleccionado o modo automático de funcionamento (bit.ph.auto)



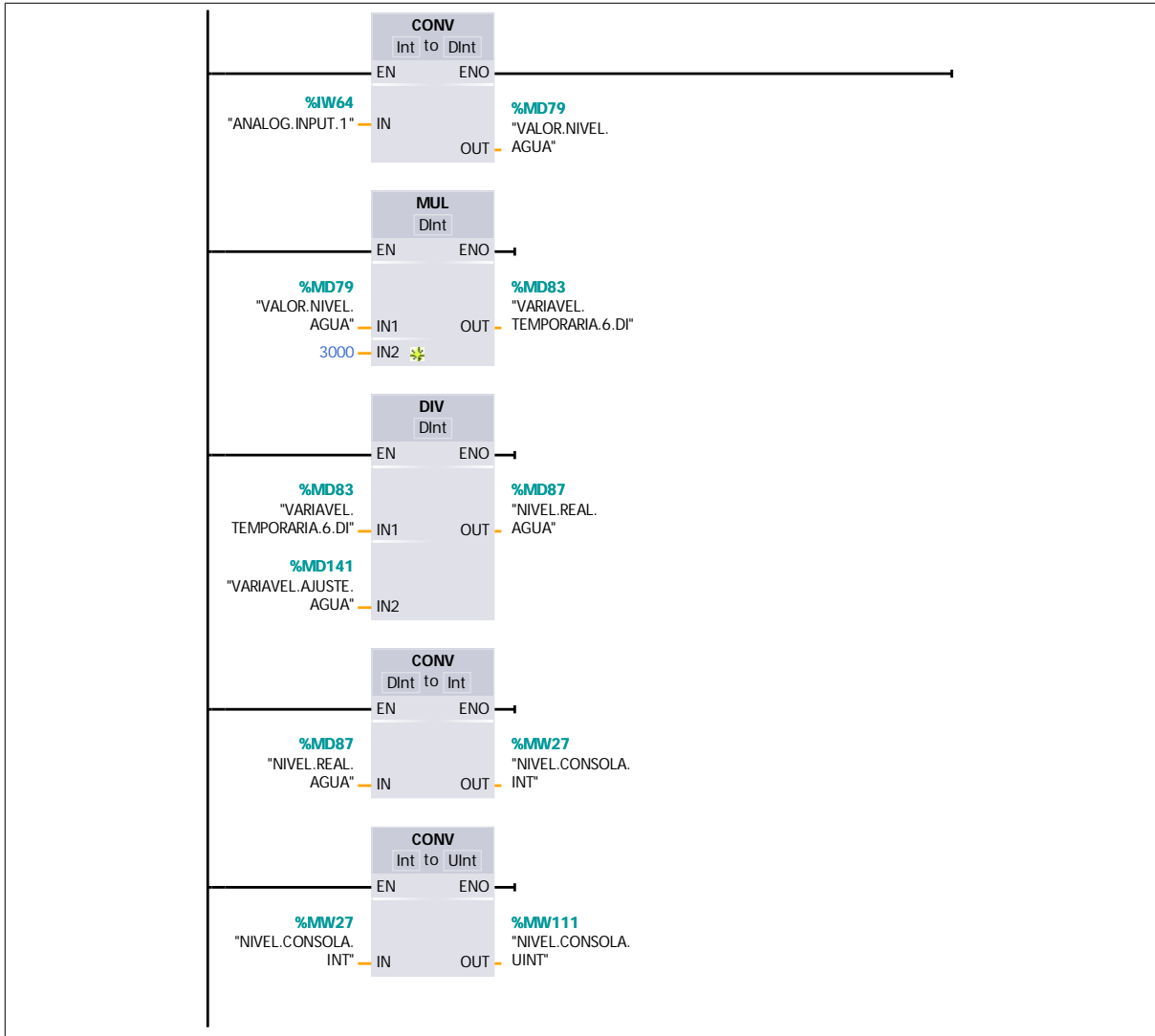
Symbol	Address	Type	Comment
1	1	Int	
0	0	Int	
"ANALOG.INPUT.0"	%IW66	Int	
"SET.POINT.PH.CON-VERTIDO"	%MW33	Int	
"VELOCI-DADE.CALC.MO-TOR.PH.AUTO"	%MW57	Int	
"ANALOG.OUTPUT"	%QW80	Int	
"Backup_Dados"	%DB4	Block_DB	

Owner	Project name	Abastecimento de água V11 - 1212C - Final	Date	6/21/2012
	Operator	Project Path D:\Documents and Settings\Tiago\Desktop\Dissertação Mestrado V11\Abastecimento de água V11 - 1212C - Final		
Designed By	Location			
	Description 1st			
	Checked By		Description 2nd	
Approved By	Language		en-US	
	1st View		Version	Sheet 2 - 39

Symbol	Address	Type	Comment
"Backup_Dados".opcao_modofuncionamento		UInt	
"Backup_Dados".bit_auto_ph		USInt	
"BIT.PH.AUTO"	%M0.6	Bool	

Network 25: CONVERSÃO DO VALOR DE AGUA PARA LITROS

- Converte o valor do nível de água lido no AD para um valor de [0,3000] L



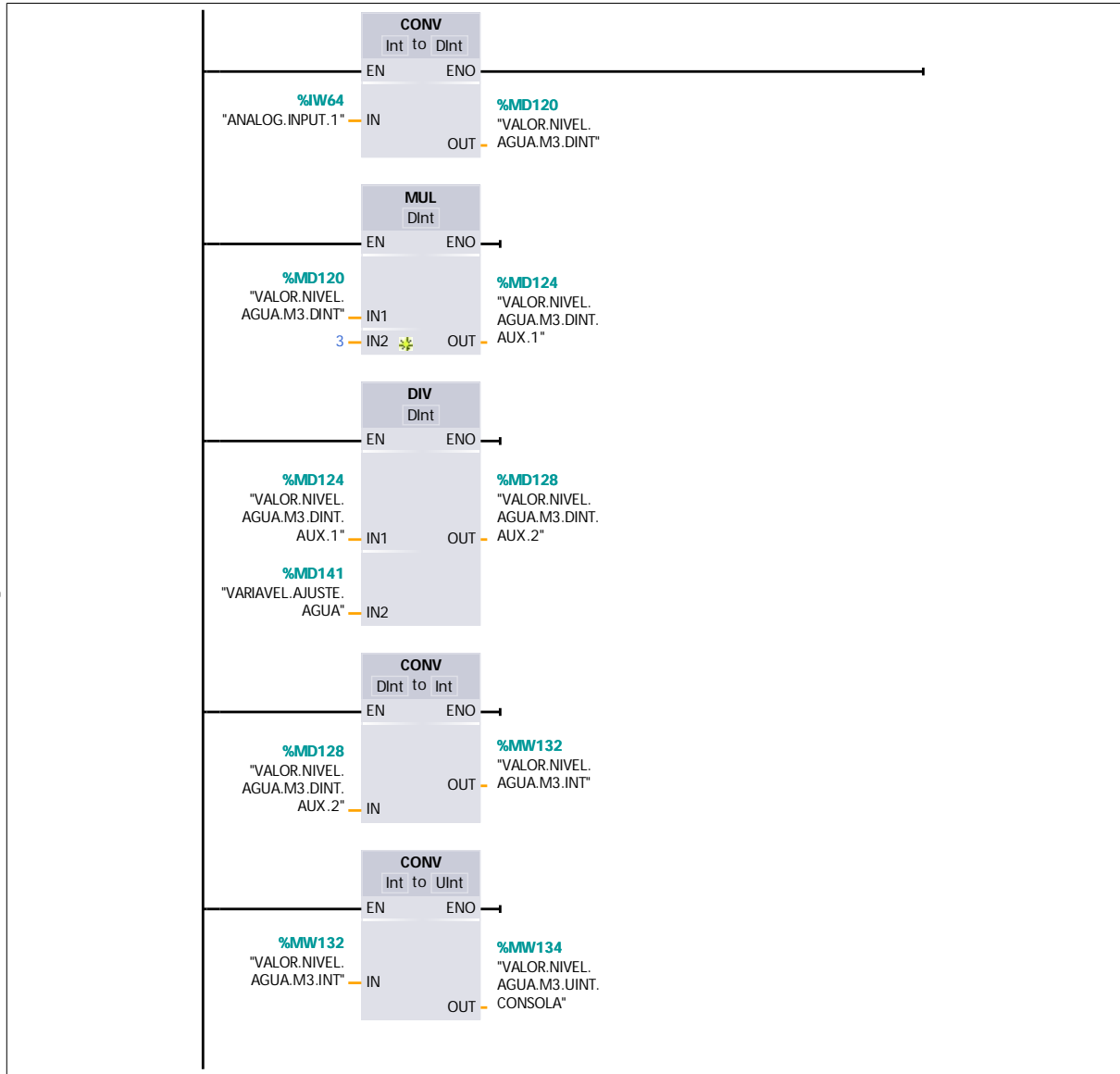
Symbol	Address	Type	Comment
"NIVEL.CONSOLE.INT"	%MW27	Int	
"ANALOG.INPUT.1"	%IW64	Int	
"VALOR.NIVEL.AGUA"	%MD79	DInt	
"VARIAVEL.TEMPORARIA.6.DI"	%MD83	DInt	
"NIVEL.REAL.AGUA"	%MD87	DInt	

Owner	Project name	Abastecimento de água V11 - 1212C - Final	Date	6/21/2012
	Project Path	D:\Documents and Settings\Tiago\Desktop\Dissertação Mestrado V11\Abastecimento de água V11 - 1212C - Final		
Operator	Location			
	Description 1st			
Designed By	Description 2nd		Language	en-US
Checked By	1st View	Version	Sheet 2 - 40	

Symbol	Address	Type	Comment
3000	3000	Int	
"NIVEL.CONSO-LA.UINT"	%MW111	UInt	
"VARIABLE.AJUSTE.AGUA"	%MD141	DInt	

Network 26: CONVERSÃO DO VALOR DE AGUA PARA M3

- Converte o valor do nível de água lido no AD para um valor de [0,3] m3



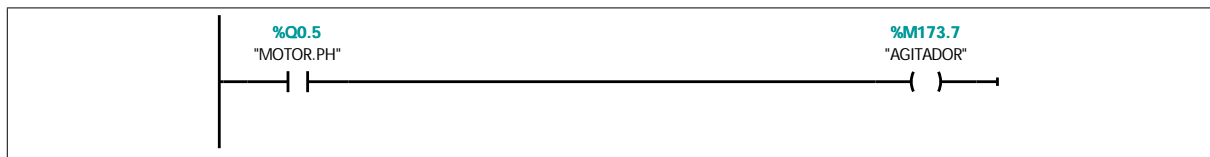
Symbol	Address	Type	Comment
3	3	Int	
"ANALOG.INPUT.1"	%IW64	Int	
"VALOR.NIVEL.AGUA.M3.DINT"	%MD120	DInt	

Owner	Project name	Abastecimento de água V11 - 1212C - Final	Date	6/21/2012
	Project Path	D:\Documents and Settings\Tiago\Desktop\Dissertação Mestrado V11\Abastecimento de água V11 - 1212C - Final		
Operator	Location			
	Description 1st			
Designed By	Description 2nd			
Checked By	Language		en-US	
Approved By	1st View	Version	Sheet 2 - 41	

Symbol	Address	Type	Comment
"VALOR.NI-VEL.AGUA.M3.DINT.AUX.1"	%MD124	DInt	
"VALOR.NI-VEL.AGUA.M3.DINT.AUX.2"	%MD128	DInt	
"VALOR.NI-VEL.AGUA.M3.INT"	%MW132	Int	
"VALOR.NI-VEL.AGUA.M3.UINT.CONSOLA"	%MW134	UInt	
"VARIABLE.AJUSTE.AGUA"	%MD141	DInt	

Network 27: LIGA/DESLIGA AGITADOR DE ÁGUA

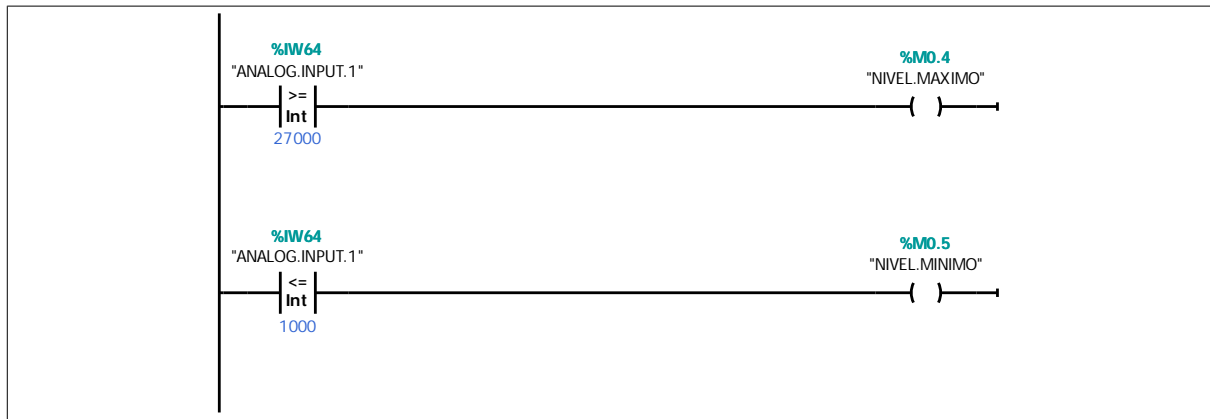
- Liga o agitador de água quando a bomba do PH está ligada e desliga quando a bomba do PH não está ligada



Symbol	Address	Type	Comment
"MOTOR.PH"	%Q0.5	Bool	
"AGITADOR"	%M173.7	Bool	

Network 28: INDICAÇÃO DE TANQUE CHEIO OU VAZIO

- Ativa o bit indicador de tanque cheio ou vazio



Symbol	Address	Type	Comment
"NIVEL.MAXIMO"	%MO.4	Bool	
"NIVEL.MINIMO"	%MO.5	Bool	
"ANALOG.INPUT.1"	%IW64	Int	
1000	1000	Int	
27000	27000	Int	

Owner	Project name	Abastecimento de água V11 - 1212C - Final	Date	6/21/2012
	Project Path	D:\Documents and Settings\Tiago\Desktop\Dissertação Mestrado V11\Abastecimento de água V11 - 1212C - Final		
Operator	Location			
	Description 1st			
Designed By	Description 2nd		Language	en-US
Checked By	1st View	Version	Sheet 2 - 42	

1

2

3

4

A

Network 29: SINALIZAÇÕES

- Ativa a luz de alarme se pH estiver abaixo do nível de alarme, se a bomba não tiver água, se for pressionado o botão de paragem de emergência ou se o contador de manutenção da bomba for inferior ou igual a 48h

B

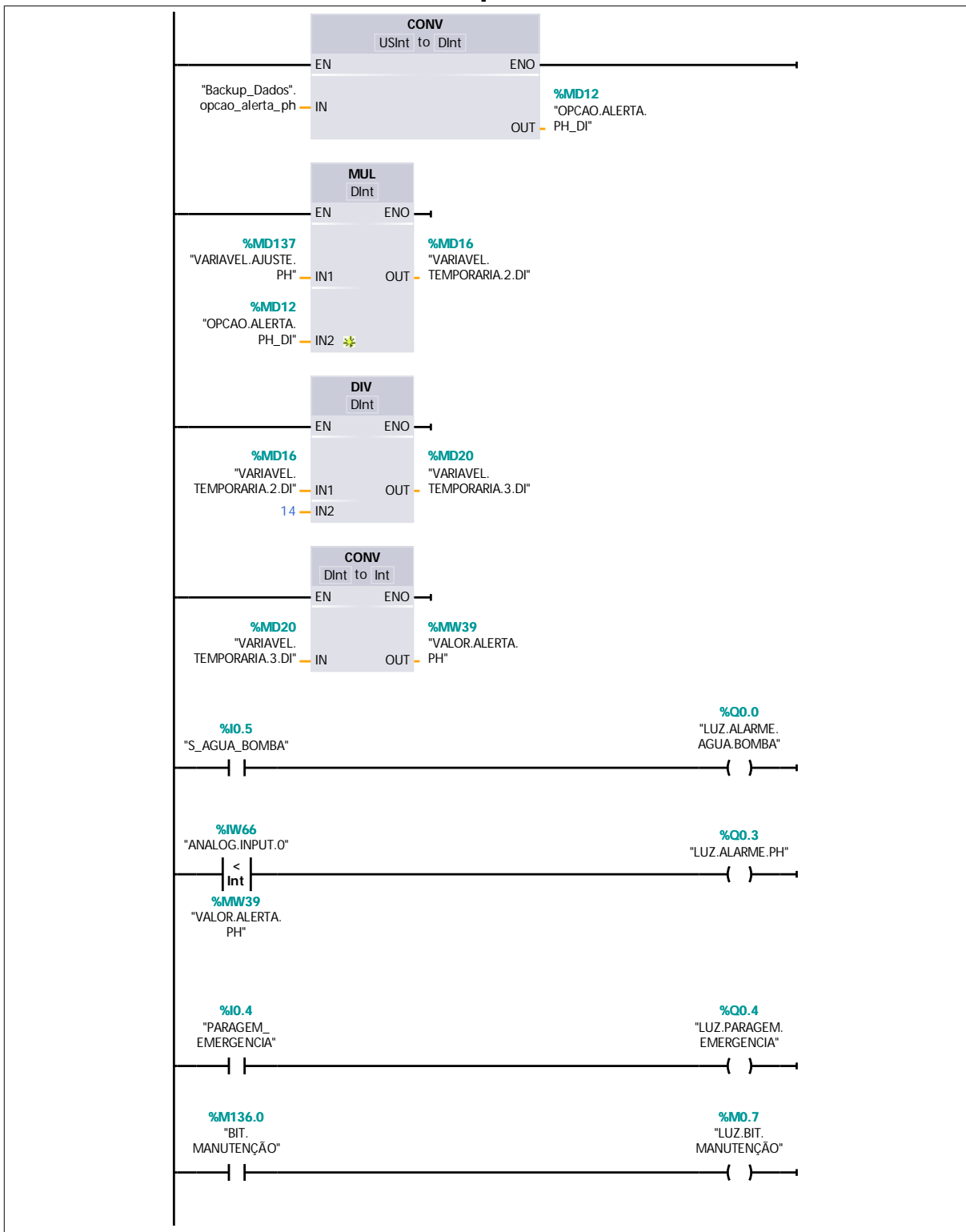
C

D

E

F

Owner	Project name	Abastecimento de água V11 - 1212C - Final	Date	6/21/2012
Operator	Project Path	D:\Documentos and Settings\Tiago\Desktop\Dissertação Mestrado V11\Abastecimento de água V11 - 1212C - Final		
	Location			
Designed By	Description 1st			
Checked By	Description 2nd	Language	en-US	
Approved By	1st View	Version	Sheet 2 - 43	



Symbol	Address	Type	Comment
"S_AGUA_BOMBA"	%IO.5	Bool	
"PARAGEM_EMERGENCIA"	%IO.4	Bool	

Owner	Project name	Abastecimento de água V11 - 1212C - Final	Date	6/21/2012
	Project Path	D:\Documents and Settings\Tiago\Desktop\Dissertação Mestrado V11\Abastecimento de água V11 - 1212C - Final		
Operator	Location			
	Description 1st			
Designed By	Description 2nd		Language	en-US
Checked By	1st View		Version	Sheet 2 - 44
Approved By				

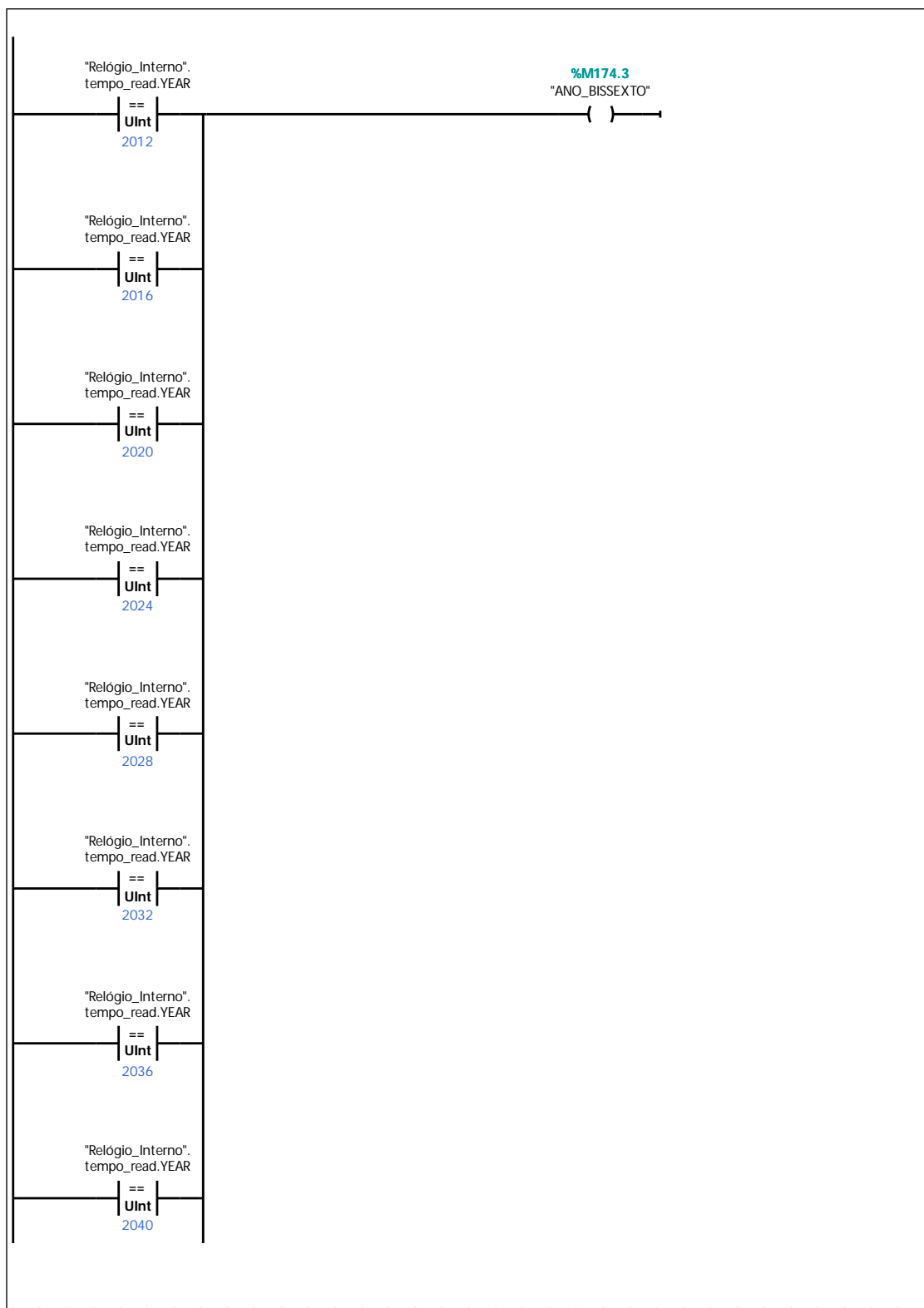
Symbol	Address	Type	Comment
14	14	Int	
"ANALOG.INPUT.0"	%IW66	Int	
"LUZ.ALARME.AGUA.BOMBA"	%Q0.0	Bool	
"VALOR.ALERTA.PH"	%MW39	Int	
"OPCAO.ALERTA.PH_DI"	%MD12	DInt	
"VARIABLE.TEMPORARIA.2.DI"	%MD16	DInt	
"VARIABLE.TEMPORARIA.3.DI"	%MD20	DInt	
"LUZ.ALARME.PH"	%Q0.3	Bool	
"LUZ.PARAGEM.EMERGENCIA"	%Q0.4	Bool	
"BIT.MANUTENÇÃO"	%M136.0	Bool	
"VARIABLE.AJUSTE.PH"	%MD137	DInt	
"Backup_Dados"	%DB4	Block_DB	
"Backup_Dados".opcao_alerta_ph		USInt	
"LUZ.BIT.MANUTENÇÃO"	%M0.7	Bool	

Network 30: ANO BISSEXTO

- Simula o aparecimento do Ano Bissexto (Fevereiro com 29 dias)

Owner	Project name	Abastecimento de água V11 - 1212C - Final	Date	6/21/2012
	Operator	Project Path D:\Documents and Settings\Tiago\Desktop\Dissertação Mestrado V11\Abastecimento de água V11 - 1212C - Final		
Designed By	Location			
Checked By	Description 1st	Language en-US		
Approved By	Description 2nd	1st View	Version	Sheet 2 - 45

Network 30: ANO BISSEXTO (1.1 / 2.1)

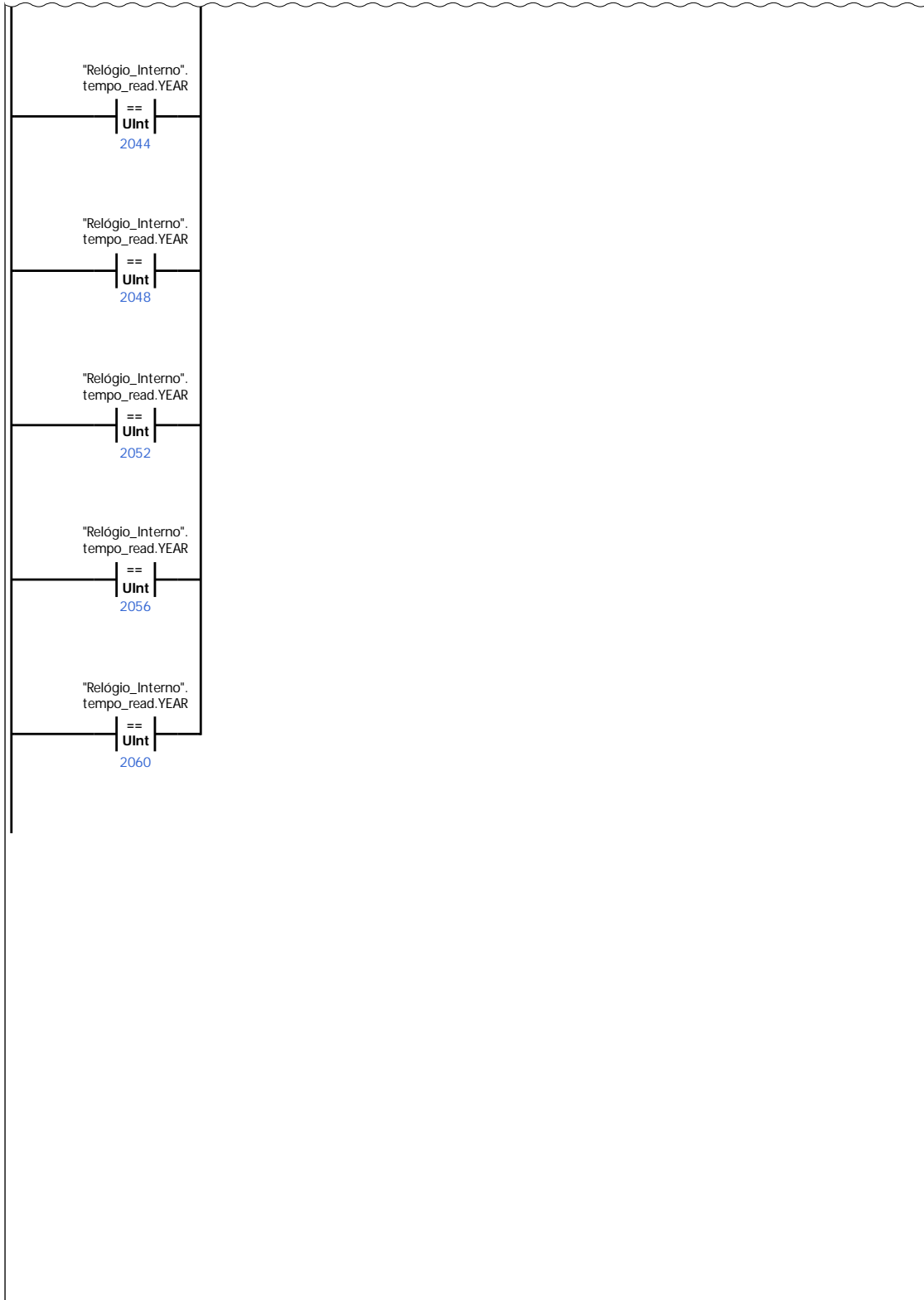


2.1 (page 2 - 47)

Owner	Project name	Abastecimento de água V11 - 1212C - Final	Date	6/21/2012
	Operator	Project Path D:\Documents and Settings\Tiago\Desktop\Dissertação Mestrado V11\Abastecimento de água V11 - 1212C - Final		
Designed By	Location			
Checked By	Description 1st	Language en-US		
Approved By	Description 2nd	1st View	Version	Sheet 2 - 46

Network 30: ANO BISSEXTO (2.1 / 2.1)

1.1 (page 2 - 46)



A

B

C

D

E

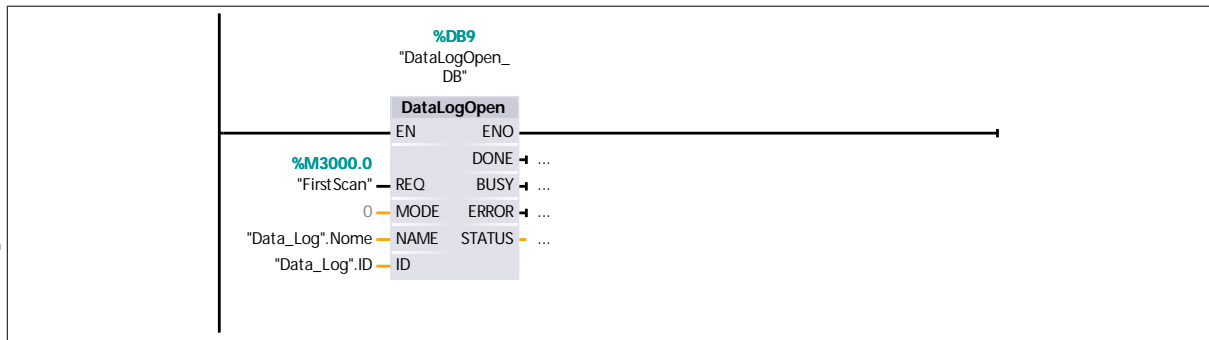
F

Owner	Project name Abastecimento de água V11 - 1212C - Final	Date 6/21/2012
Operator	Project Path D:\Documents and Settings\Tiago\Desktop\Dissertação Mestrado V11\Abastecimento de água V11 - 1212C - Final	
Designed By	Location	
Checked By	Description 1st	Language en-US
Approved By	Description 2nd	Version
	1st View	Sheet 2 - 47

Symbol	Address	Type	Comment
"Relógio_Interno"	%DB3	Block_DB	
"ANO_BISSEXTO"	%M174.3	Bool	
2012	2012	UInt	
2016	2016	UInt	
2020	2020	UInt	
2024	2024	UInt	
2028	2028	UInt	
2032	2032	UInt	
2036	2036	UInt	
2040	2040	UInt	
2044	2044	UInt	
2048	2048	UInt	
2052	2052	UInt	
2056	2056	UInt	
2060	2060	UInt	
"Relógio_Interno".tempo_read.YEAR		UInt	

Network 31: DATA LOG - OPEN

- Abre o data log do mês em questão todas as vezes que o PLC for iniciado



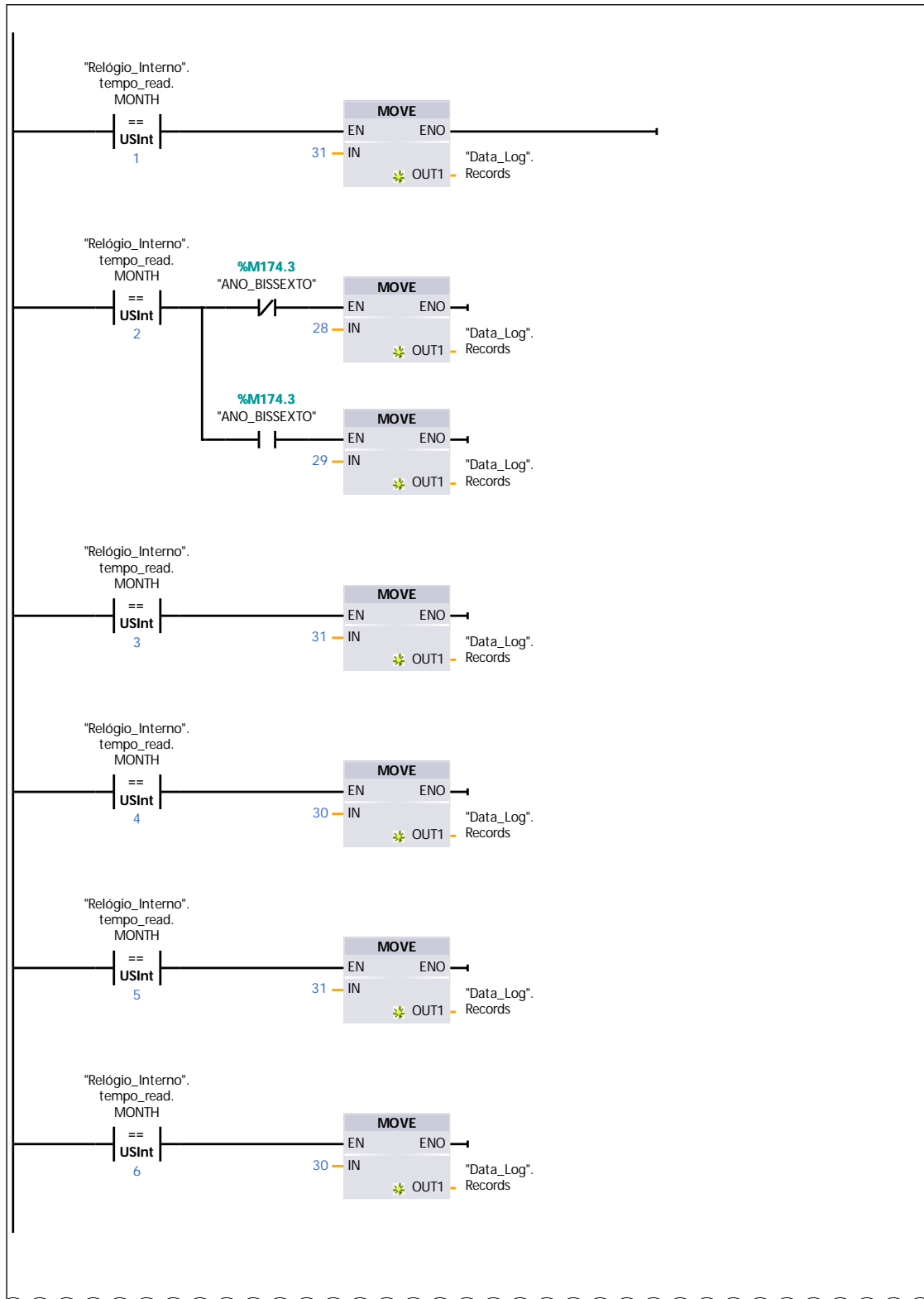
Symbol	Address	Type	Comment
"Data_Log"	%DB5	Block_DB	
"Data_Log".Nome		String	
"Data_Log".ID		DInt	
"DataLogOpen_DB"	%DB9	Block_SFB	
"FirstScan"	%M3000.0	Bool	

Network 32: TAMANHO DOS DATA LOGS MENSAIS

- Altera automaticamente o tamanho do data log mensal a gerar de acordo com o número de dias do mês correspondente

Owner	Project name	Abastecimento de água V11 - 1212C - Final	Date	6/21/2012
	Operator	Project Path D:\Documents and Settings\Tiago\Desktop\Dissertação Mestrado V11\Abastecimento de água V11 - 1212C - Final		
Designed By	Location			
Checked By	Description 1st		Language en-US	
Approved By	Description 2nd		Version	Sheet 2 - 48
	1st View			

Network 32: TAMANHO DOS DATA LOGS MENSAIS (1.1 / 2.1)

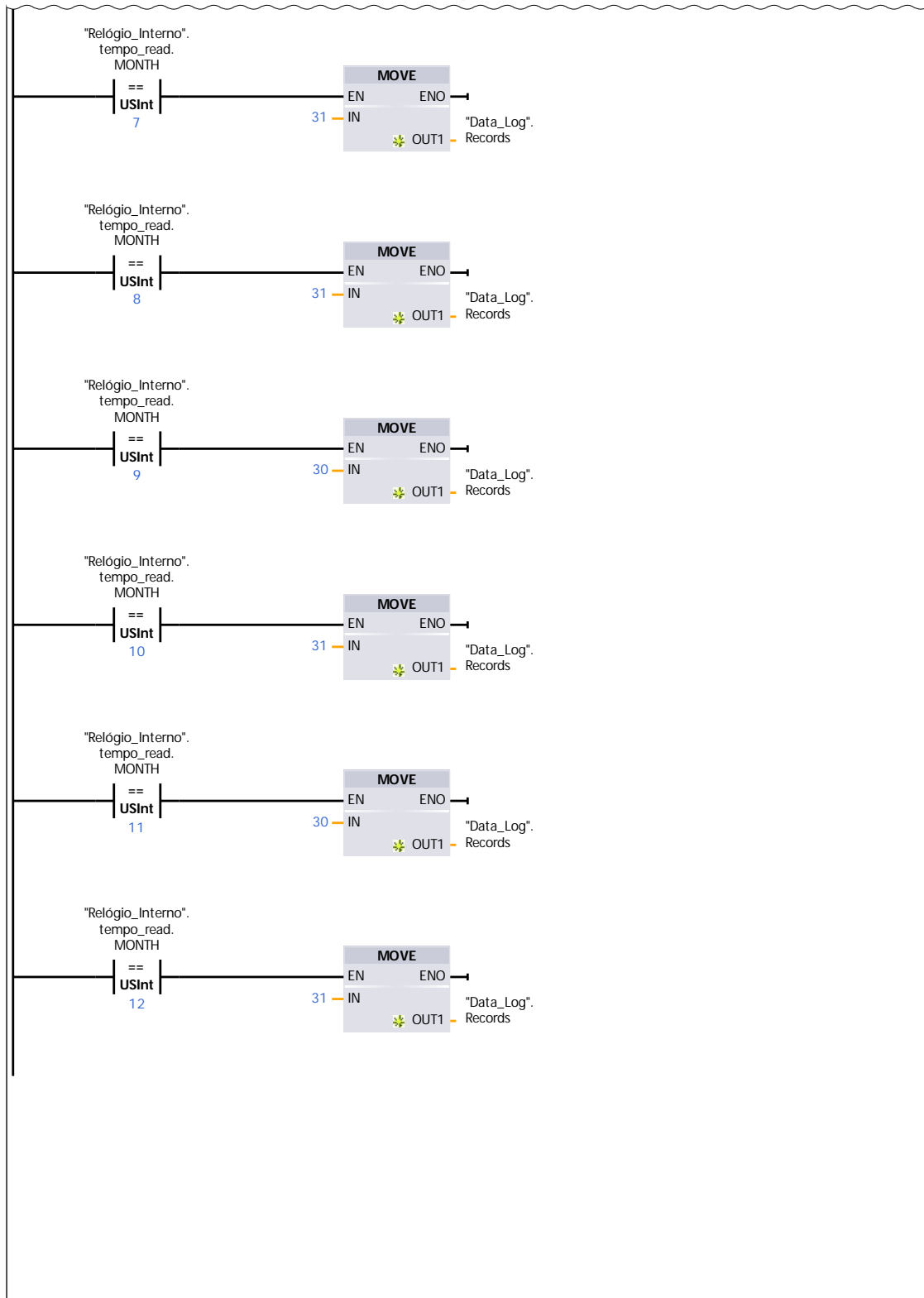


2.1 (page 2 - 50)

Owner	Project name	Abastecimento de água V11 - 1212C - Final	Date	6/21/2012
	Project Path	D:\Documents and Settings\Tiago\Desktop\Dissertação Mestrado V11\Abastecimento de água V11 - 1212C - Final		
Operator	Location			
	Description 1st			
Designed By	Description 2nd		Language	en-US
Checked By	1st View	Version	Sheet 2 - 49	
Approved By				

Network 32: TAMANHO DOS DATA LOGS MENSAIS (2.1 / 2.1)

1.1 (page 2 - 49)



Owner	Project name	Abastecimento de água V11 - 1212C - Final	Date	6/21/2012
	Operator	Project Path D:\Documents and Settings\Tiago\Desktop\Dissertação Mestrado V11\Abastecimento de água V11 - 1212C - Final		
Designed By	Location			
Checked By	Description 1st	Language en-US		
Approved By	Description 2nd	1st View	Version	Sheet 2 - 50

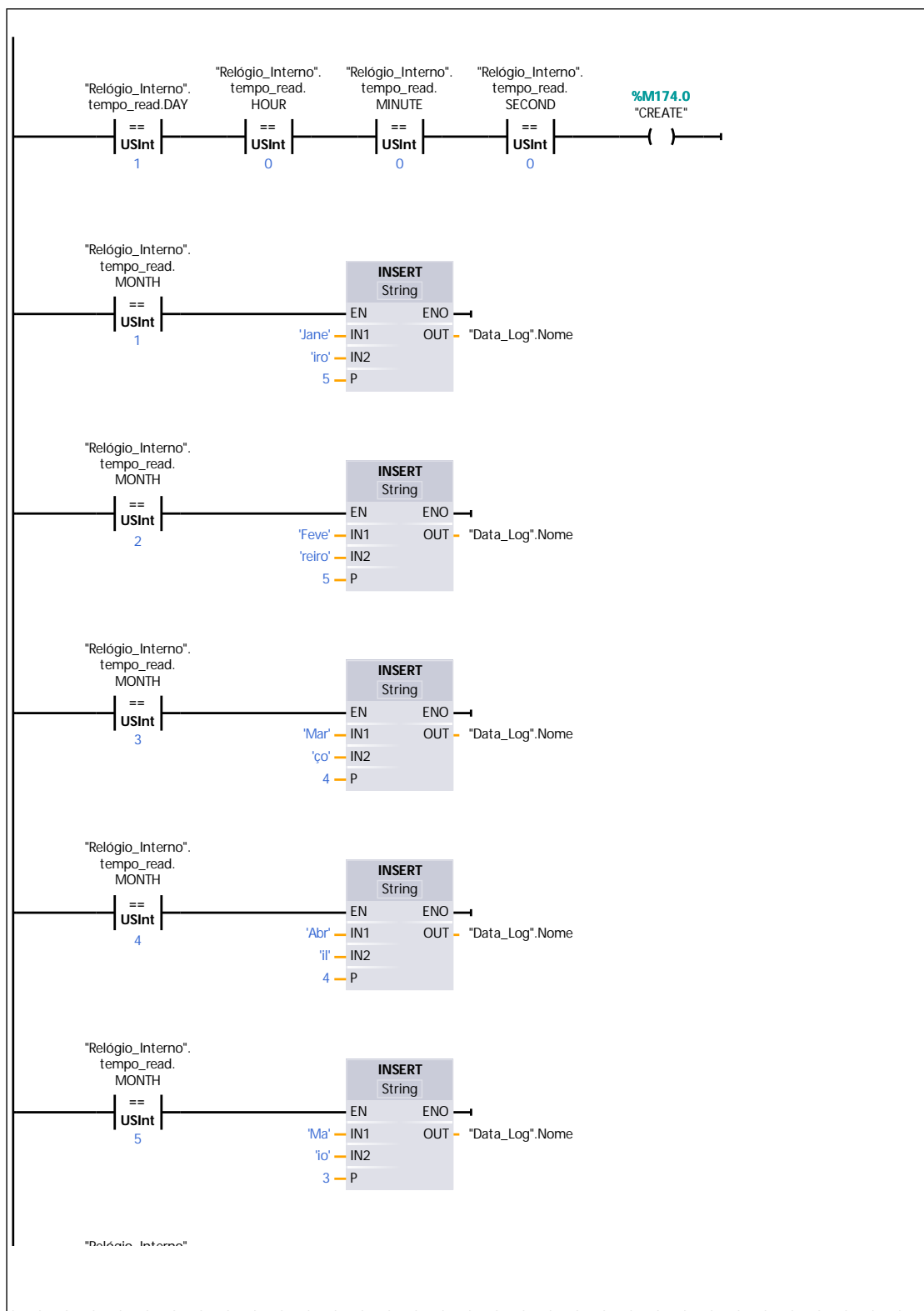
Symbol	Address	Type	Comment
"Relógio_Interno"	%DB3	Block_DB	
"Data_Log"	%DB5	Block_DB	
1	1	USInt	
12	12	USInt	
11	11	USInt	
10	10	USInt	
9	9	USInt	
8	8	USInt	
7	7	USInt	
6	6	USInt	
5	5	USInt	
4	4	USInt	
3	3	USInt	
2	2	USInt	
"ANO_BISSEXTO"	%M174.3	Bool	
"Relógio_Interno".tempo_read.MONTH		USInt	
"Data_Log".Records		USInt	
31	31	USInt	
28	28	USInt	
29	29	USInt	
30	30	USInt	

Network 33: DATA DE CRIAÇÃO DO DATA LOG MENSAL

- Define a data de criação e o nome de cada data log mensal

Owner	Project name	Abastecimento de água V11 - 1212C - Final	Date	6/21/2012
	Operator	Project Path D:\Documents and Settings\Tiago\Desktop\Dissertação Mestrado V11\Abastecimento de água V11 - 1212C - Final		
Designed By	Location			
Checked By	Description 1st	Language en-US		
Approved By	Description 2nd	1st View	Version	Sheet 2 - 51

Network 33: DATA DE CRIAÇÃO DO DATA LOG MENSAL (1.1 / 3.1)

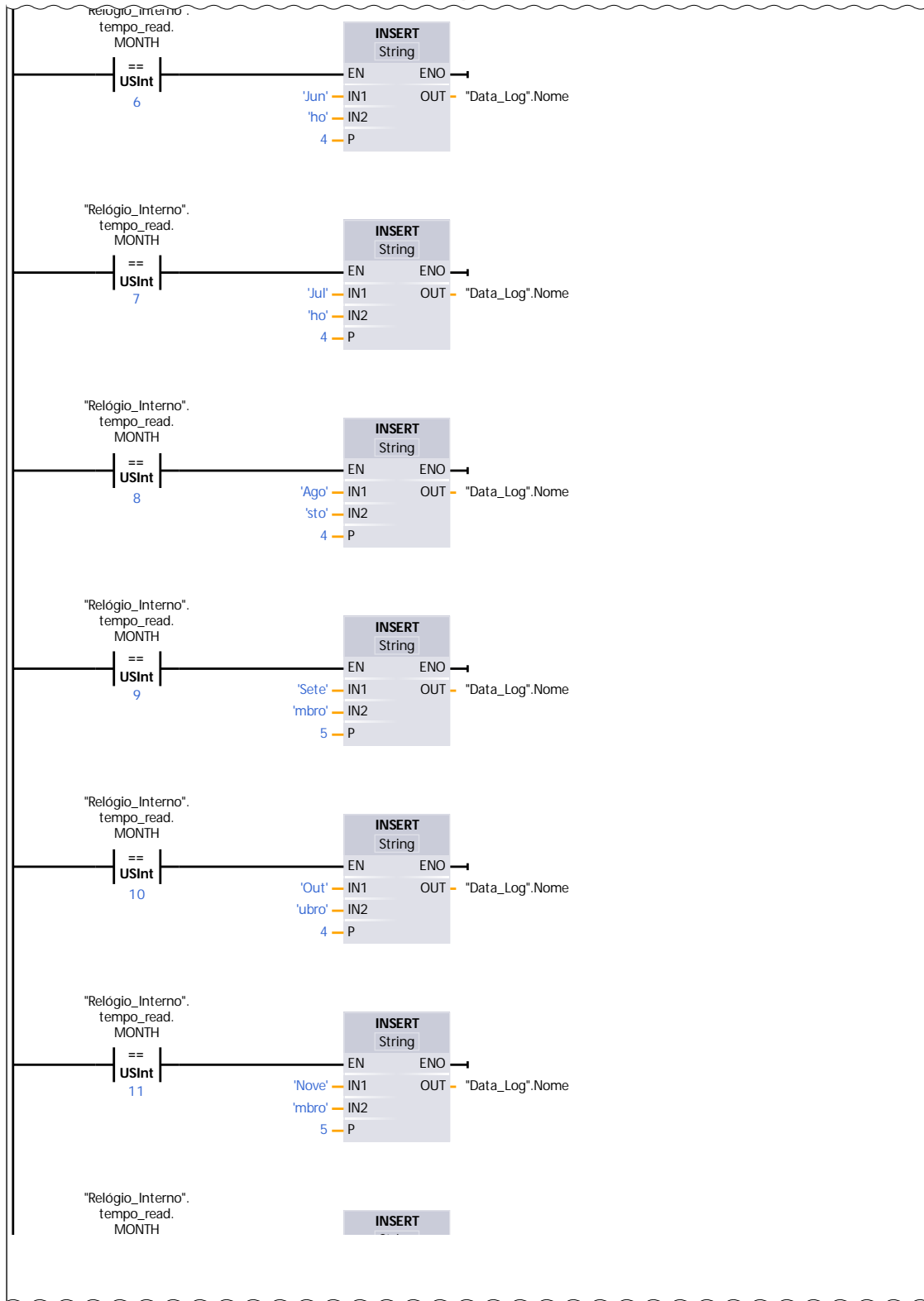


2.1 (page 2 - 53)

Owner	Project name	Abastecimento de água V11 - 1212C - Final	Date	6/21/2012
	Project Path	D:\Documents and Settings\Tiago\Desktop\Dissertação Mestrado V11\Abastecimento de água V11 - 1212C - Final		
Operator	Location			
	Description 1st			
Designed By	Description 2nd		Language	en-US
Checked By	1st View	Version	Sheet 2 - 52	

Network 33: DATA DE CRIAÇÃO DO DATA LOG MENSAL (2.1 / 3.1)

1.1 (page 2 - 52)

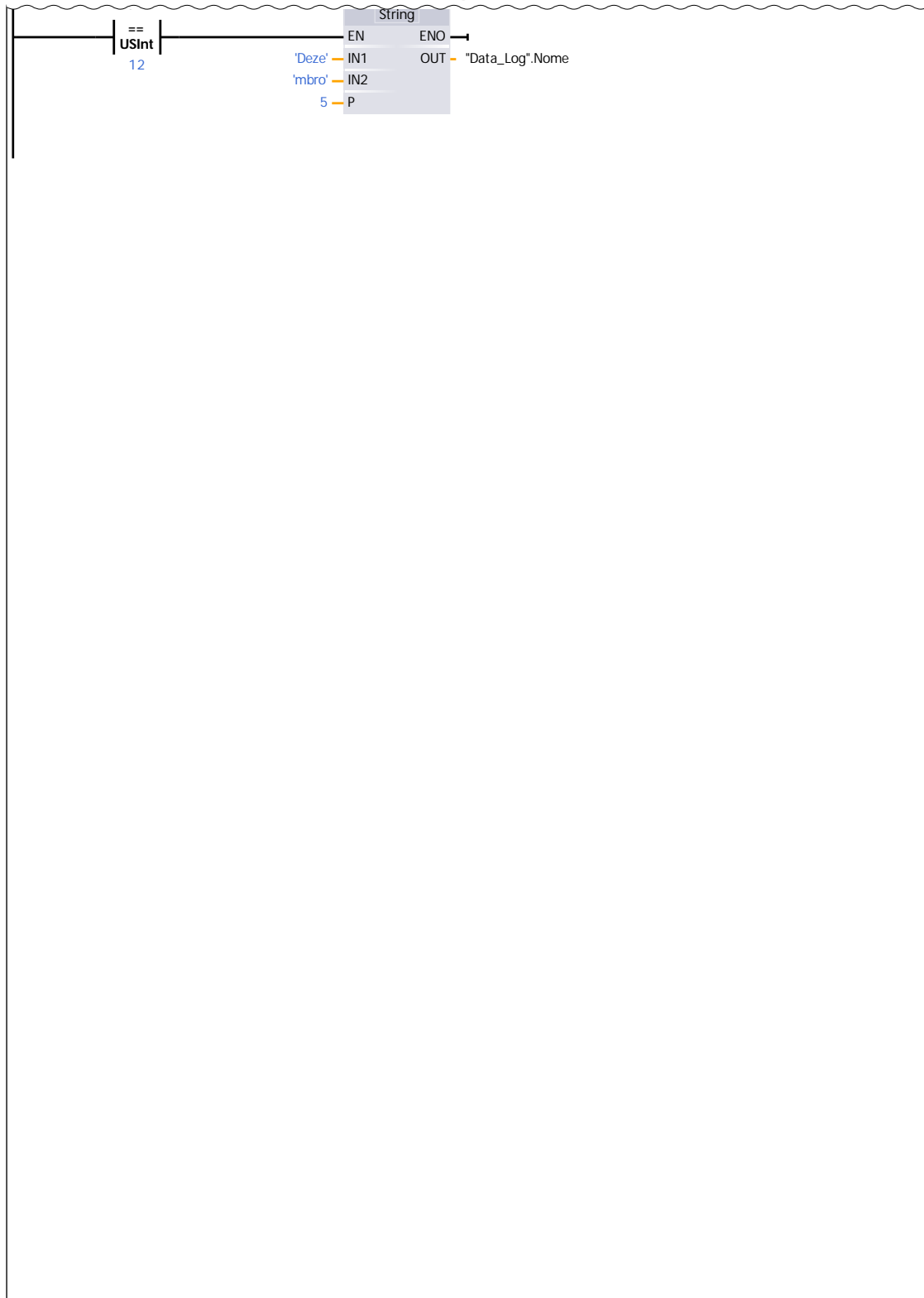


3.1 (page 2 - 54)

Owner	Project name	Abastecimento de água V11 - 1212C - Final	Date	6/21/2012
	Operator	Project Path D:\Documents and Settings\Tiago\Desktop\Dissertação Mestrado V11\Abastecimento de água V11 - 1212C - Final		
Designed By	Location			
Checked By	Description 1st	Language en-US		
Approved By	Description 2nd	1st View	Version	Sheet 2 - 53

Network 33: DATA DE CRIAÇÃO DO DATA LOG MENSAL (3.1 / 3.1)

2.1 (page 2 - 53)



Owner	Project name	Abastecimento de água V11 - 1212C - Final	Date	6/21/2012
	Operator	Project Path D:\Documents and Settings\Tiago\Desktop\Dissertação Mestrado V11\Abastecimento de água V11 - 1212C - Final		
Designed By	Location			
	Description 1st			
Checked By	Description 2nd		Language en-US	
	Approved By	1st View	Version	Sheet 2 - 54

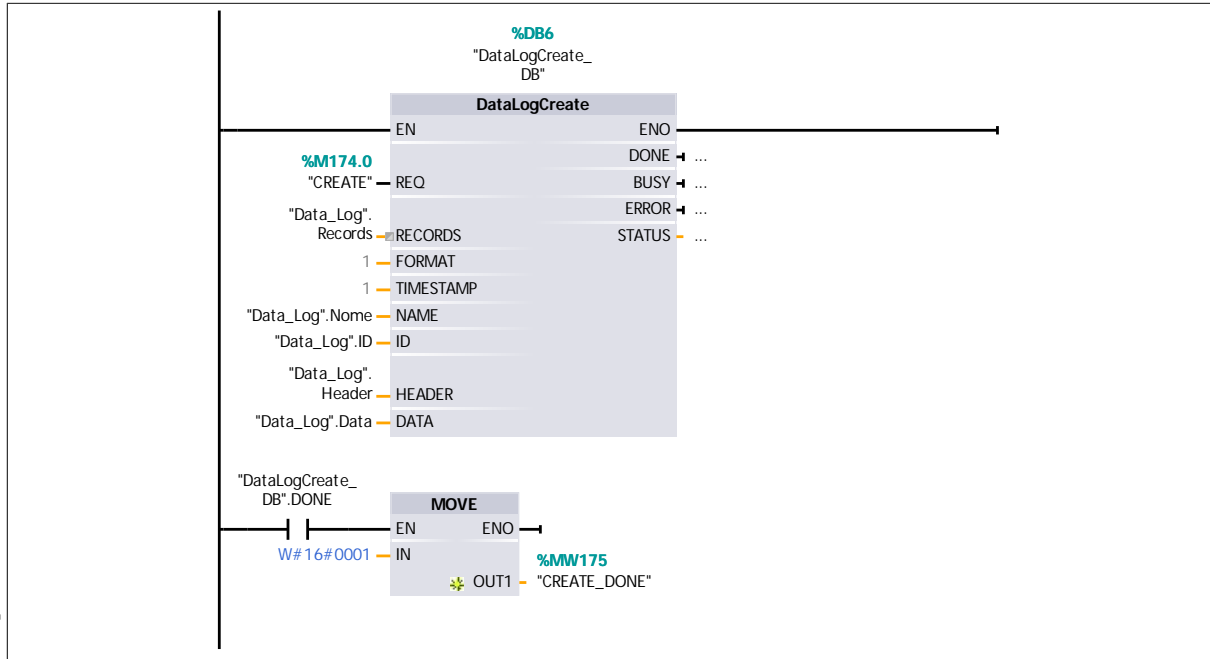
Symbol	Address	Type	Comment
4	4	Int	
3	3	Int	
5	5	Int	
"Relógio_Interno"	%DB3	Block_DB	
"Data_Log"	%DB5	Block_DB	
"Data_Log".Nome		String	
"CREATE"	%M174.0	Bool	
1	1	USInt	
12	12	USInt	
11	11	USInt	
10	10	USInt	
9	9	USInt	
8	8	USInt	
7	7	USInt	
6	6	USInt	
5	5	USInt	
4	4	USInt	
3	3	USInt	
2	2	USInt	
0	0	USInt	
'Jane'	'Jane'	String	
'iro'	'iro'	String	
'Feve'	'Feve'	String	
'reiro'	'reiro'	String	
'Mar'	'Mar'	String	
'ço'	'ço'	String	
'Abr'	'Abr'	String	
'il'	'il'	String	
'Ma'	'Ma'	String	
'io'	'io'	String	
'Jun'	'Jun'	String	
'ho'	'ho'	String	
'Jul'	'Jul'	String	
'Ago'	'Ago'	String	
'sto'	'sto'	String	
'Sete'	'Sete'	String	
'mbro'	'mbro'	String	
'Out'	'Out'	String	
'ubro'	'ubro'	String	
'Nove'	'Nove'	String	
'Deze'	'Deze'	String	
"Relógio_Interno".tempo_read.MONTH		USInt	
"Relógio_Interno".tempo_read.DAY		USInt	
"Relógio_Interno".tempo_read.HOUR		USInt	

Owner	Project name	Abastecimento de água V11 - 1212C - Final	Date	6/21/2012
	Operator	Project Path D:\Documents and Settings\Tiago\Desktop\Dissertação Mestrado V11\Abastecimento de água V11 - 1212C - Final		
Designed By	Location			
	Description 1st			
	Checked By	Description 2nd	Language	en-US
Approved By	1st View	Version	Sheet 2 - 55	

Symbol	Address	Type	Comment
"Relógio_Inter-no".tempo_read.MI-NUTE		USInt	
"Relógio_Inter-no".tempo_read.SEC-OND		USInt	

Network 34: DATA LOG - CREATE

- Implementação e diagnóstico da função "Criar"

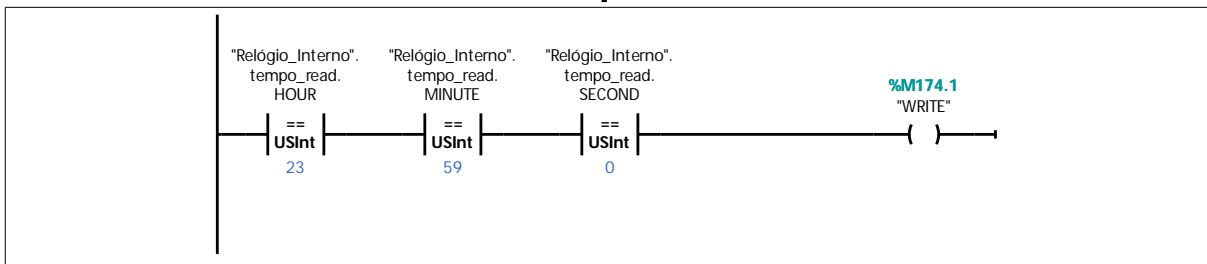


Symbol	Address	Type	Comment
"Data_Log"	%DB5	Block_DB	
"Data_Log".Nome		String	
"CREATE"	%M174.0	Bool	
"DataLogCreate_DB"	%DB6	Block_SFB	
"Data_Log".Header		String	
"Data_Log".Data		Struct	
"Data_Log".Records		USInt	
"Data_Log".ID		DInt	
"DataLogCreate_DB"	%DB6	Block_SFB	
"DataLog-Create_DB".DONE		Bool	
W#16#0001	W#16#0001	Word	
"CREATE_DONE"	%MW175	Word	

Network 35: DATA DE CRIAÇÃO DO DATA LOG DIÁRIO

- Define a data de escrita dos registos diários no data log

Owner	Project name	Abastecimento de água V11 - 1212C - Final	Date	6/21/2012	
	Operator	Project Path D:\Documents and Settings\Tiago\Desktop\Dissertação Mestrado V11\Abastecimento de água V11 - 1212C - Final			
Designed By	Location				
	Description 1st				
Checked By	Description 2nd		Language		en-US
	Approved By		1st View	Version	Sheet 2 - 56

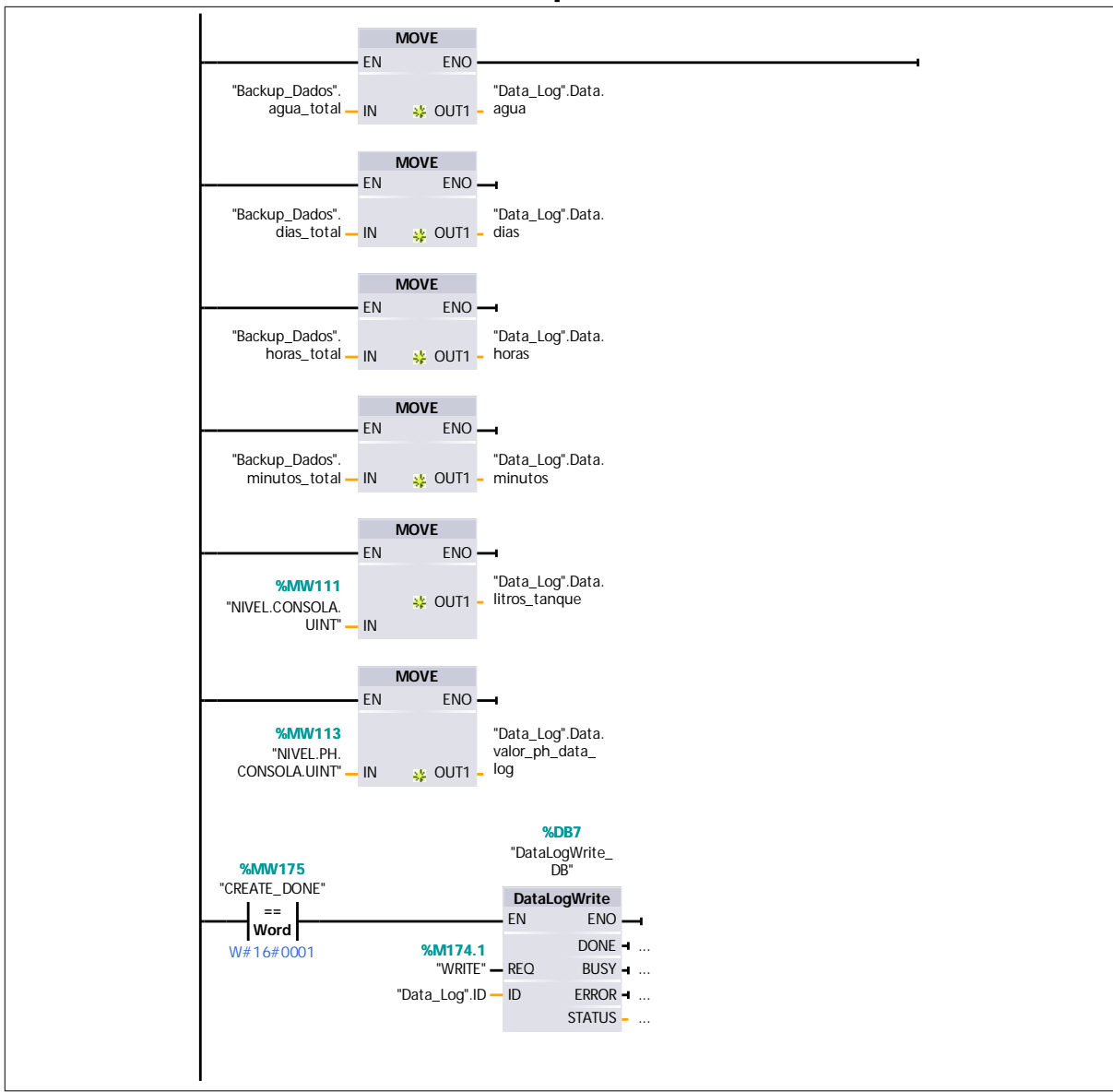


Symbol	Address	Type	Comment
"Relógio_Interno"	%DB3	Block_DB	
"WRITE"	%M174.1	Bool	
0	0	USInt	
23	23	USInt	
59	59	USInt	
"Relógio_Interno".tempo_read.HOUR		USInt	
"Relógio_Interno".tempo_read.MINUTE		USInt	
"Relógio_Interno".tempo_read.SECOND		USInt	

Network 36: DATA LOG - WRITE

- Implementação e diagnóstico da função "Write"

Owner	Project name	Abastecimento de água V11 - 1212C - Final	Date	6/21/2012
	Operator	Project Path D:\Documents and Settings\Tiago\Desktop\Dissertação Mestrado V11\Abastecimento de água V11 - 1212C - Final		
Designed By	Location			
	Description 1st			
Checked By	Description 2nd		Language	en-US
Approved By	1st View	Version	Sheet 2 - 57	



Symbol	Address	Type	Comment
"NIVEL.CONSO-LA.UINT"	%MW111	UInt	
"NIVEL.PH.CONSO-LA.UINT"	%MW113	UInt	
"Backup_Dados"	%DB4	Block_DB	
"Backup_Dados".dias_total		UInt	
"Backup_Dados".horas_total		UInt	
"Backup_Dados".minutos_total		USInt	
"Backup_Dados".agua_total		USInt	
"Data_Log"	%DB5	Block_DB	
"WRITE"	%M174.1	Bool	

Owner	Project name	Abastecimento de água V11 - 1212C - Final	Date	6/21/2012
	Operator	Project Path D:\Documents and Settings\Tiago\Desktop\Dissertação Mestrado V11\Abastecimento de água V11 - 1212C - Final		
Designed By	Location			
Checked By	Description 1st		Language	
	Description 2nd		en-US	
Approved By	1st View		Version	Sheet
				2 - 58

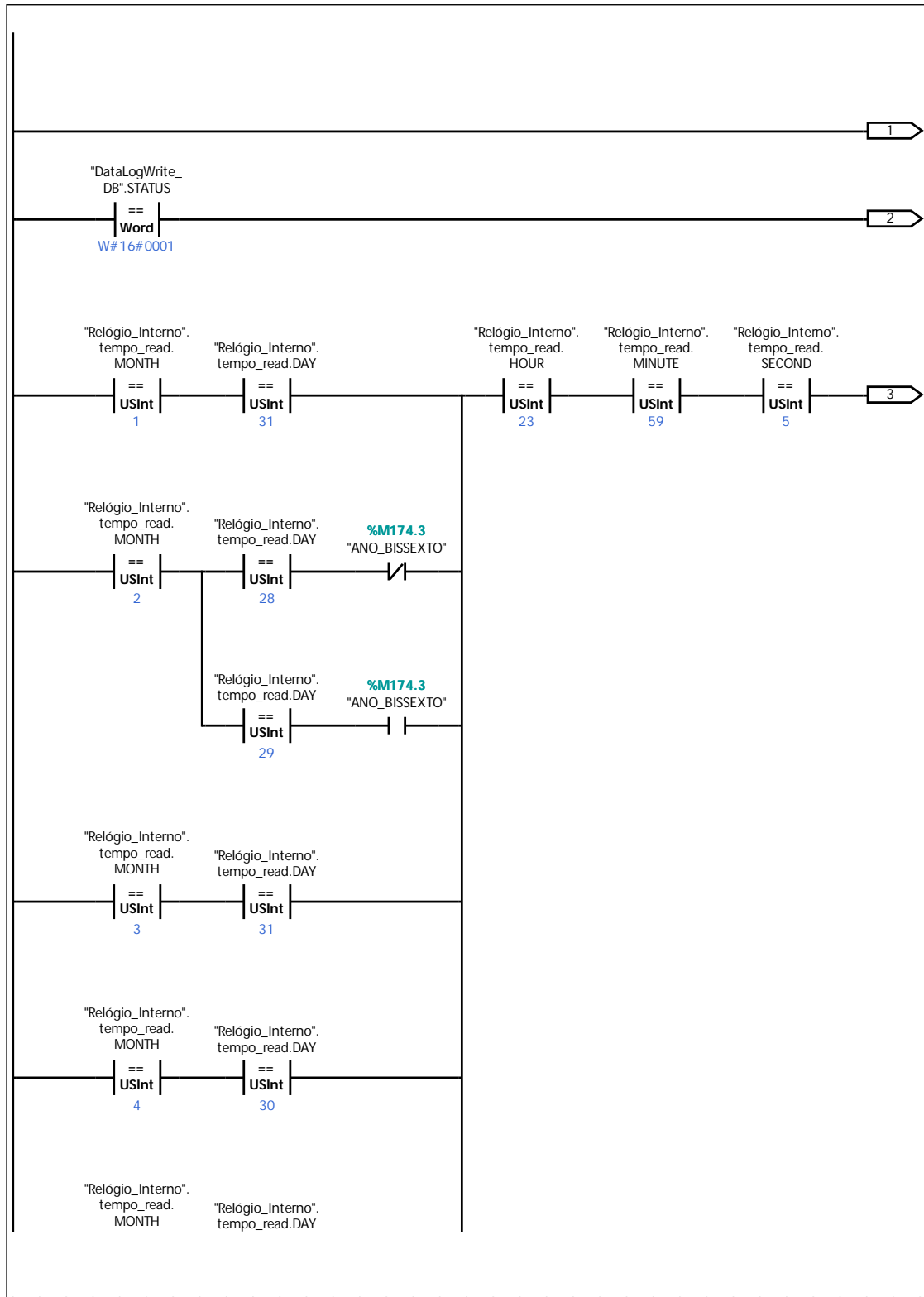
Symbol	Address	Type	Comment
"Data_Log".Data.horas		UInt	
"Data_Log".Data.dias		UInt	
"Data_Log".Data.agua		USInt	
"Data_Log".Data.minutos		USInt	
"DataLogWrite_DB"	%DB7	Block_SFB	
"Data_Log".ID		DInt	
W#16#0001	W#16#0001	Word	
"CREATE_DONE"	%MW175	Word	
"Data_Log".Data.litros_tanque		UInt	
"Data_Log".Data.valor_ph_data_log		UInt	

Network 37: DATA LOG - CLOSE

- Implementação e diagnóstico da função "Close"

Owner	Project name	Abastecimento de água V11 - 1212C - Final	Date	6/21/2012
	Operator	Project Path D:\Documents and Settings\Tiago\Desktop\Dissertação Mestrado V11\Abastecimento de água V11 - 1212C - Final		
Designed By	Location			
Checked By	Description 1st	Language en-US		
Approved By	Description 2nd	1st View	Version	Sheet 2 - 59

Network 37: DATA LOG - CLOSE (1.1 / 3.1)

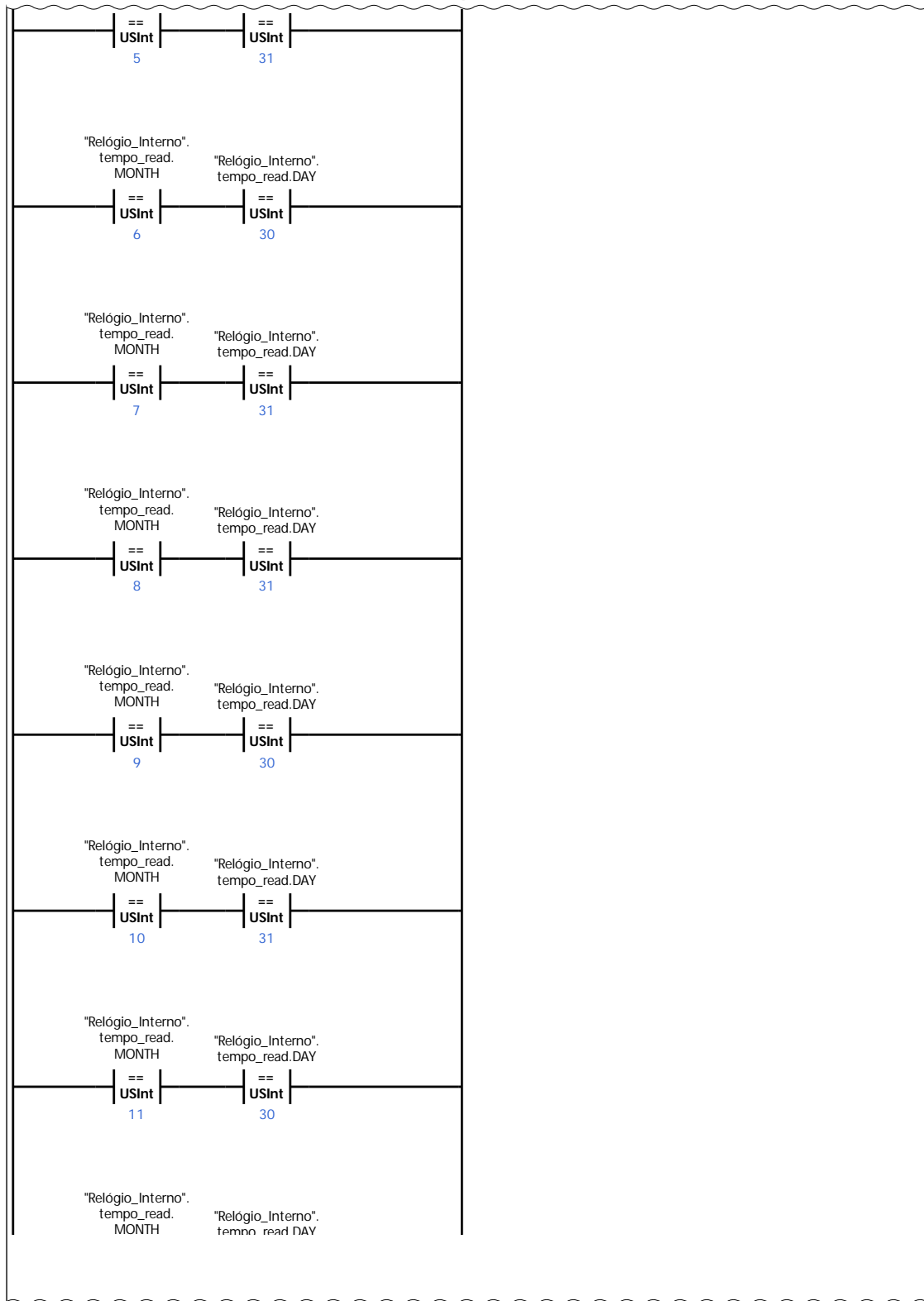


2.1 (page 2 - 61)

Owner	Project name	Abastecimento de água V11 - 1212C - Final	Date	6/21/2012
	Operator	Project Path D:\Documents and Settings\Tiago\Desktop\Dissertação Mestrado V11\Abastecimento de água V11 - 1212C - Final		
Designed By	Location			
	Description 1st			
Checked By	Description 2nd		Language	en-US
Approved By	1st View	Version	Sheet 2 - 60	

Network 37: DATA LOG - CLOSE (2.1 / 3.1)

1.1 (page 2 - 60)

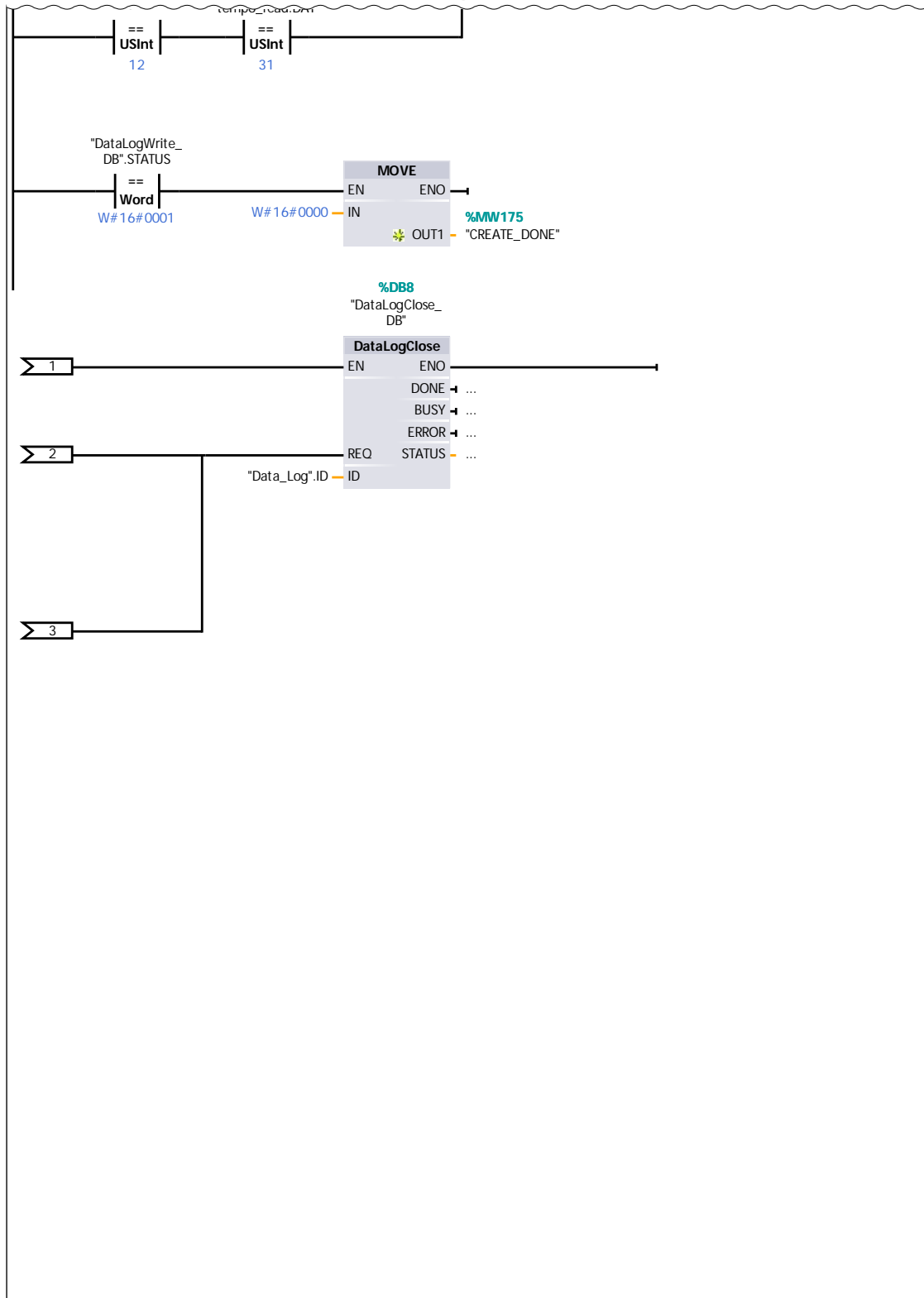


3.1 (page 2 - 62)

Owner	Project name	Abastecimento de água V11 - 1212C - Final	Date	6/21/2012
	Operator	Project Path D:\Documents and Settings\Tiago\Desktop\Dissertação Mestrado V11\Abastecimento de água V11 - 1212C - Final		
Designed By	Location			
	Description 1st			
Checked By	Description 2nd		Language	en-US
Approved By	1st View	Version	Sheet 2 - 61	

Network 37: DATA LOG - CLOSE (3.1 / 3.1)

2.1 (page 2 - 61)



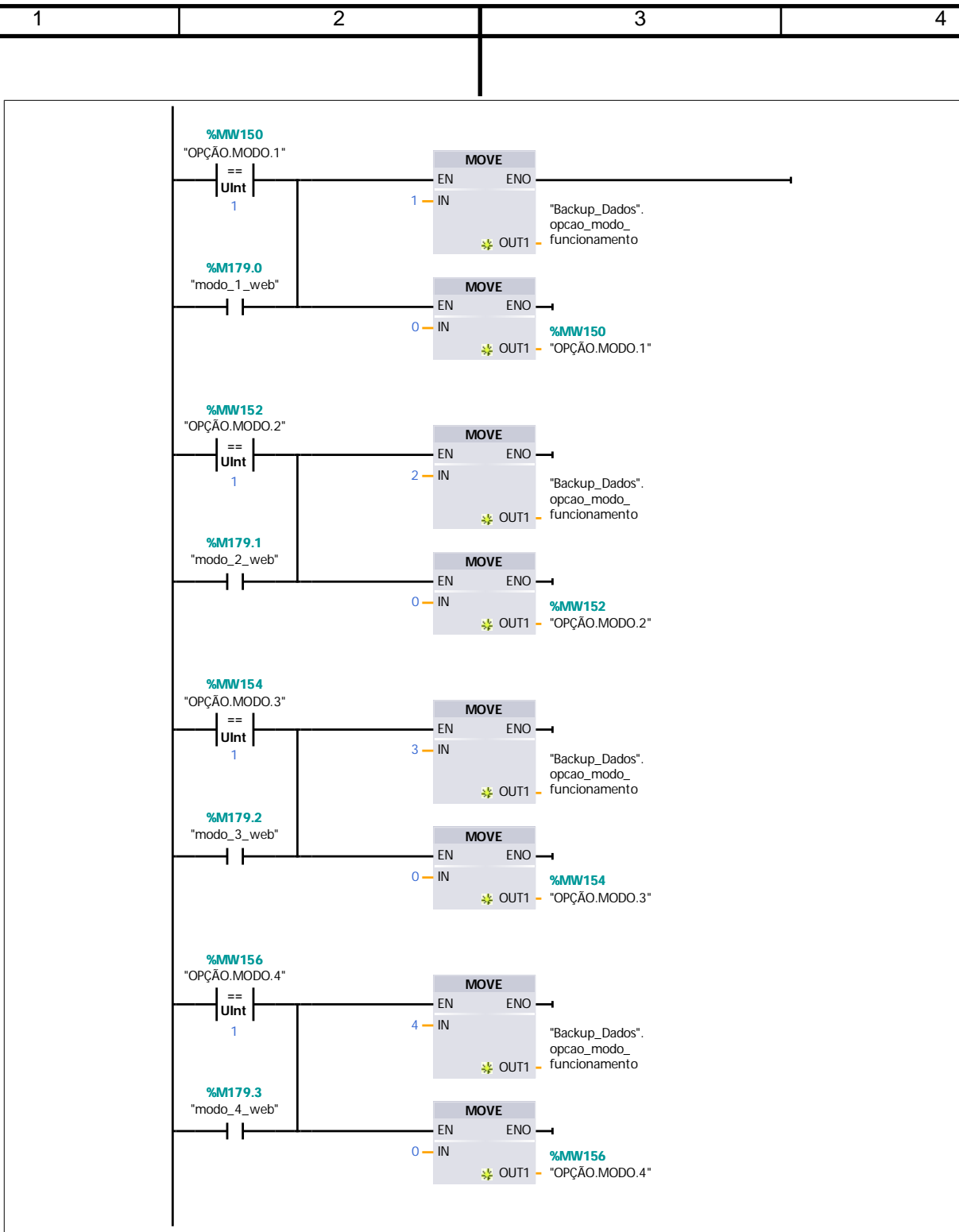
Owner	Project name	Abastecimento de água V11 - 1212C - Final	Date	6/21/2012
	Operator	Project Path D:\Documents and Settings\Tiago\Desktop\Dissertação Mestrado V11\Abastecimento de água V11 - 1212C - Final		
Designed By	Location			
Checked By	Description 1st	Language en-US		
Approved By	Description 2nd	1st View	Version	Sheet 2 - 62

Symbol	Address	Type	Comment
"Relógio_Interno"	%DB3	Block_DB	
"Data_Log"	%DB5	Block_DB	
1	1	USInt	
12	12	USInt	
11	11	USInt	
10	10	USInt	
9	9	USInt	
8	8	USInt	
7	7	USInt	
6	6	USInt	
5	5	USInt	
4	4	USInt	
3	3	USInt	
2	2	USInt	
23	23	USInt	
59	59	USInt	
"ANO_BISSEXTO"	%M174.3	Bool	
"Relógio_Interno".tempo_read.MONTH		USInt	
"Relógio_Interno".tempo_read.DAY		USInt	
"Relógio_Interno".tempo_read.HOUR		USInt	
"Relógio_Interno".tempo_read.MINUTE		USInt	
"Relógio_Interno".tempo_read.SECOND		USInt	
"DataLogClose_DB"	%DB8	Block_SFB	
31	31	USInt	
28	28	USInt	
29	29	USInt	
30	30	USInt	
"Data_Log".ID		DInt	
"DataLogWrite_DB"	%DB7	Block_SFB	
"DataLogWrite_DB".STATUS		Word	
W#16#0001	W#16#0001	Word	
"CREATE_DONE"	%MW175	Word	
W#16#0000	W#16#0000	Word	

Network 38: OPÇÕES DE ESCOLHA DE MODO DE FUNCIONAMENTO NA CONSOLA

- Limita as escolhas do Modo de Funcionamento a 1, 2, 3 e 4 para evitar erros de introdução

Owner	Project name	Abastecimento de água V11 - 1212C - Final	Date	6/21/2012
	Operator	Project Path D:\Documents and Settings\Tiago\Desktop\Dissertação Mestrado V11\Abastecimento de água V11 - 1212C - Final		
Designed By	Location			
	Description 1st			
Checked By	Description 2nd	Language	en-US	
Approved By	1st View	Version	Sheet 2 - 63	



Symbol	Address	Type	Comment
2	2	Int	
4	4	Int	
1	1	Int	
0	0	Int	
3	3	Int	
"Backup_Dados"	%DB4	Block_DB	

Owner	Project name	Abastecimento de água V11 - 1212C - Final		Date	6/21/2012
	Operator	Project Path D:\Documents and Settings\Tiago\Desktop\Dissertação Mestrado V11\Abastecimento de água V11 - 1212C - Final			
Designed By		Location			
	Description 1st				
	Checked By		Description 2nd		Language
Approved By	1st View		Version	Sheet 2 - 64	

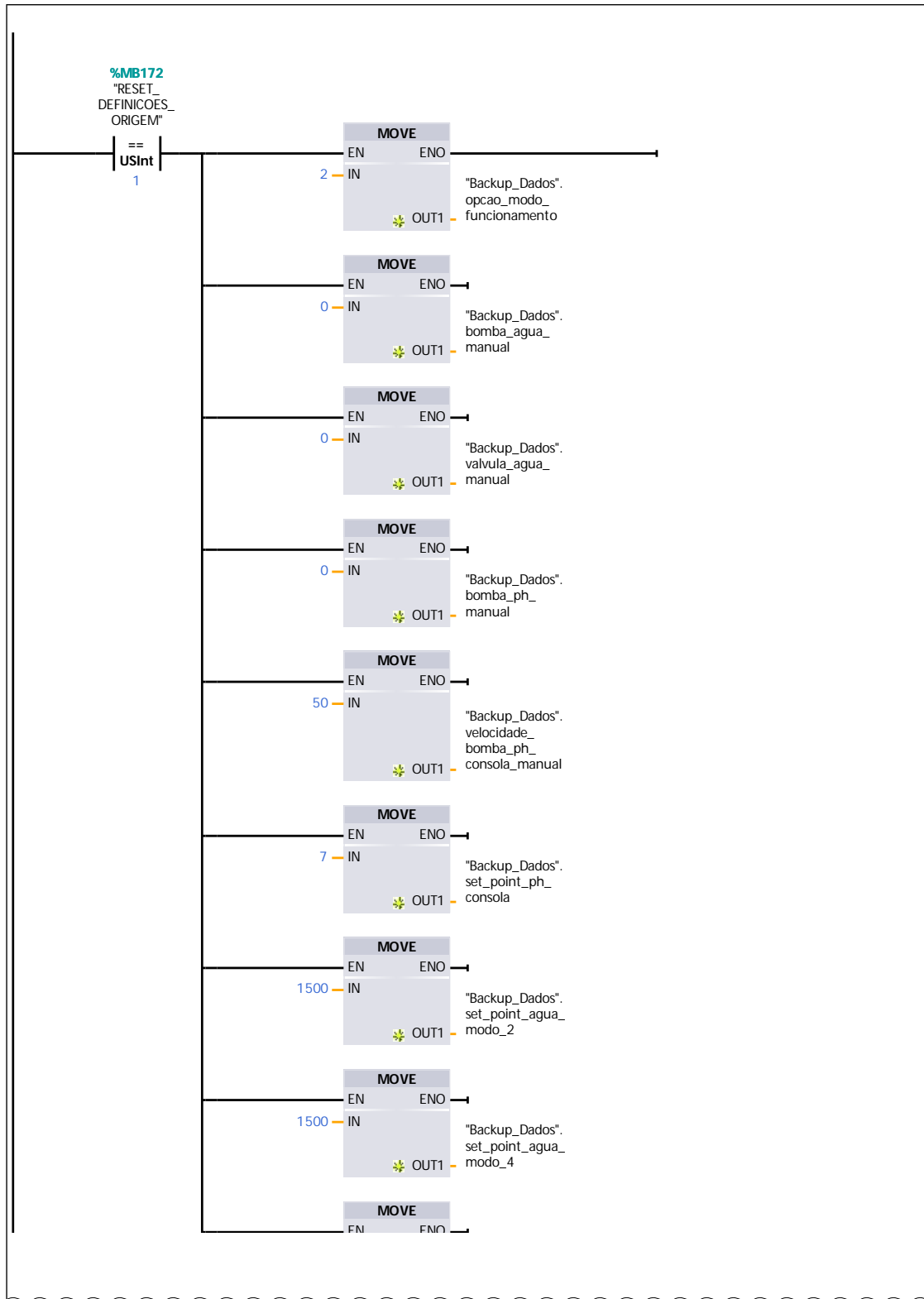
Symbol	Address	Type	Comment
"Backup_Dados".opcao_modofuncionamento		UInt	
"OPÇÃO.MODO.1"	%MW150	UInt	
"OPÇÃO.MODO.2"	%MW152	UInt	
"OPÇÃO.MODO.3"	%MW154	UInt	
"OPÇÃO.MODO.4"	%MW156	UInt	
"modo_1_web"	%M179.0	Bool	
"modo_2_web"	%M179.1	Bool	
"modo_3_web"	%M179.2	Bool	
"modo_4_web"	%M179.3	Bool	

Network 39: DEFINIÇÕES DE ORIGEM

- Repõe todas as definições e valores de origem

Owner	Project name	Abastecimento de água V11 - 1212C - Final	Date	6/21/2012
	Operator	Project Path D:\Documents and Settings\Tiago\Desktop\Dissertação Mestrado V11\Abastecimento de água V11 - 1212C - Final		
Designed By	Location			
Checked By	Description 1st	Language en-US		
Approved By	Description 2nd	1st View	Version	Sheet 2 - 65

Network 39: DEFINIÇÕES DE ORIGEM (1.1 / 3.1)

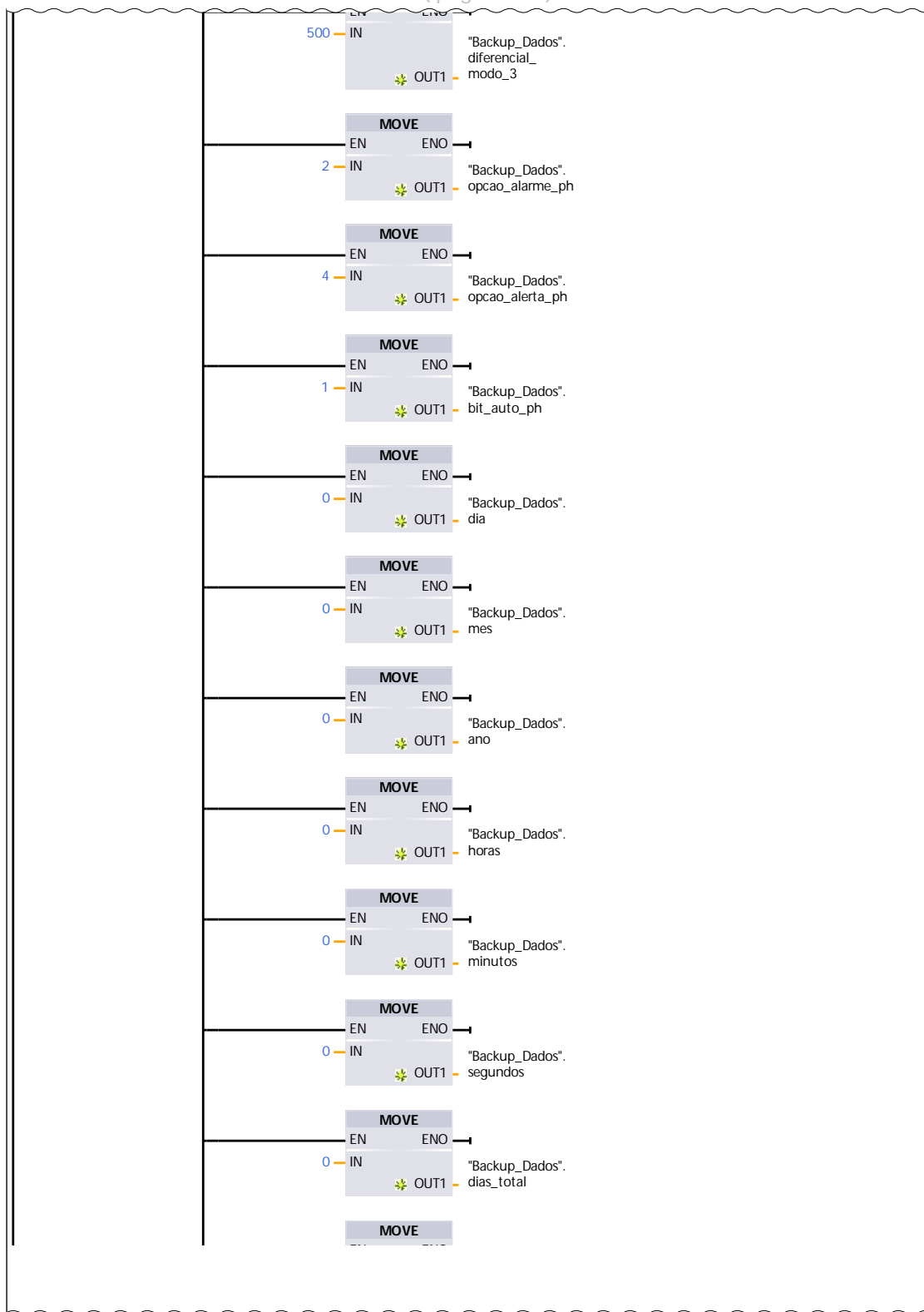


2.1 (page 2 - 67)

Owner	Project name	Abastecimento de água V11 - 1212C - Final	Date	6/21/2012
	Operator	Project Path D:\Documents and Settings\Tiago\Desktop\Dissertação Mestrado V11\Abastecimento de água V11 - 1212C - Final		
Designed By	Location			
Checked By	Description 1st		Language en-US	
Approved By	1st View	Version	Sheet 2 - 66	

Network 39: DEFINIÇÕES DE ORIGEM (2.1 / 3.1)

1.1 (page 2 - 66)

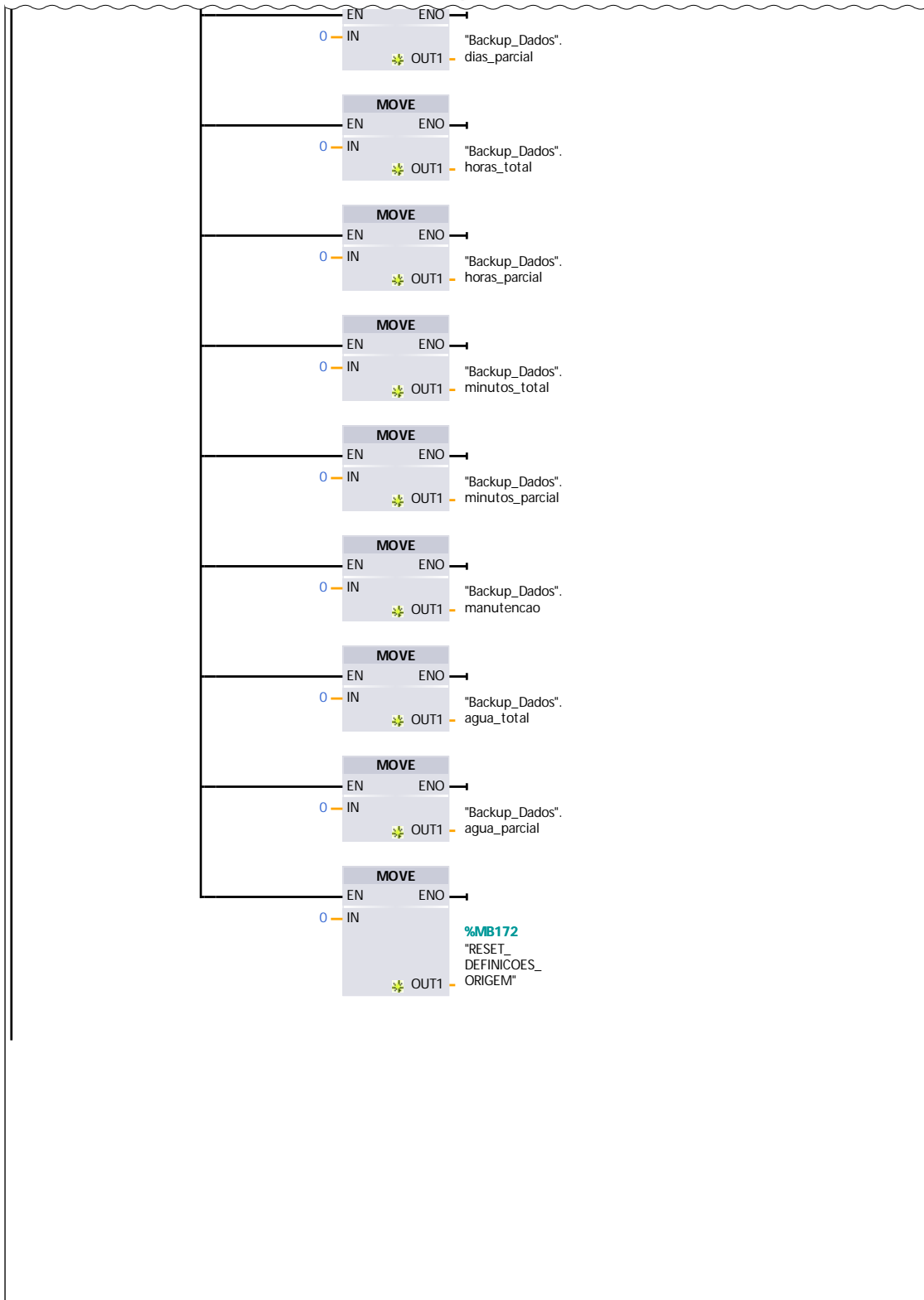


3.1 (page 2 - 68)

Owner	Project name	Abastecimento de água V11 - 1212C - Final	Date	6/21/2012
	Project Path	D:\Documents and Settings\Tiago\Desktop\Dissertação Mestrado V11\Abastecimento de água V11 - 1212C - Final		
Operator	Location			
	Description 1st			
Designed By	Description 2nd		Language	en-US
Checked By	1st View	Version	Sheet 2 - 67	

Network 39: DEFINIÇÕES DE ORIGEM (3.1 / 3.1)

2.1 (page 2 - 67)



Owner	Project name	Abastecimento de água V11 - 1212C - Final	Date	6/21/2012
Operator	Project Path	D:\Documents and Settings\Tiago\Desktop\Dissertação Mestrado V11\Abastecimento de água V11 - 1212C - Final		
Designed By	Description 1st	Location		
Checked By	Description 2nd	Language	en-US	
Approved By	1st View	Version	Sheet 2 - 68	

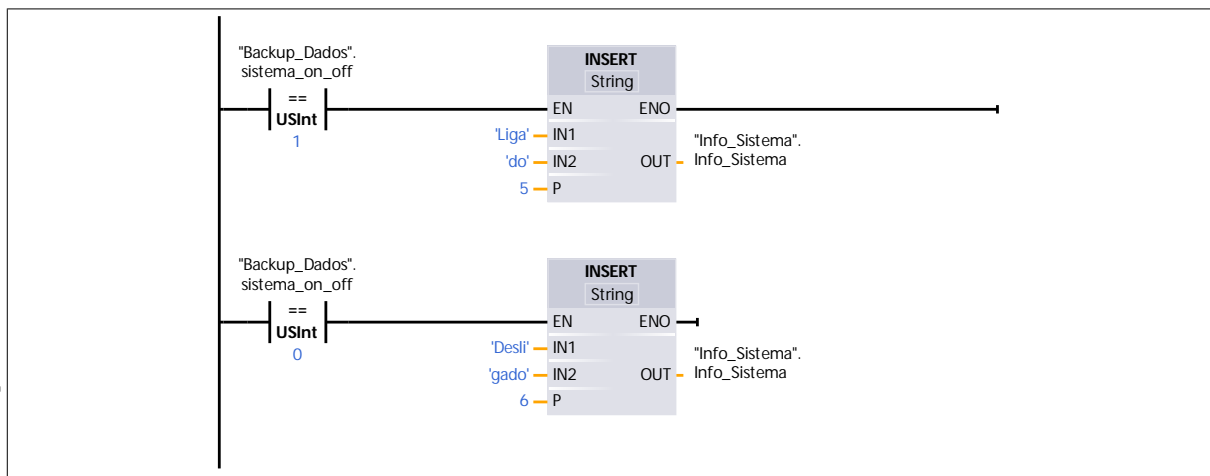
Symbol	Address	Type	Comment
2	2	Int	
4	4	Int	
1	1	Int	
0	0	Int	
7	7	Int	
"Backup_Dados"	%DB4	Block_DB	
"Backup_Dados".bomba_agua_manual		USInt	
"Backup_Dados".valvula_agua_manual		USInt	
"Backup_Dados".bomba_ph_manual		USInt	
"Backup_Dados".velocidade_bomba_ph_consola_manual		UInt	
"Backup_Dados".opcao_modofuncionamento		UInt	
"Backup_Dados".set_point_ph_consola		UInt	
"Backup_Dados".set_point_agua_mododo_2		UInt	
"Backup_Dados".set_point_agua_mododo_4		UInt	
"Backup_Dados".diferencial_mododo_3		UInt	
"Backup_Dados".opcao_alarme_ph		USInt	
"Backup_Dados".opcao_alerta_ph		USInt	
"Backup_Dados".bit_auto_ph		USInt	
"Backup_Dados".dias_total		UInt	
"Backup_Dados".dias_parcial		UInt	
"Backup_Dados".horas_total		UInt	
"Backup_Dados".horas_parcial		UInt	
"Backup_Dados".minutos_total		USInt	
"Backup_Dados".minutos_parcial		USInt	
"Backup_Dados".manutencao		UInt	
"Backup_Dados".agua_total		USInt	
"Backup_Dados".agua_parcial		USInt	

Owner	Project name	Abastecimento de água V11 - 1212C - Final	Date	6/21/2012
Operator	Project Path	D:\Documents and Settings\Tiago\Desktop\Dissertação Mestrado V11\Abastecimento de água V11 - 1212C - Final		
Designed By	Description 1st			
Checked By	Description 2nd	Language	en-US	
Approved By	1st View	Version	Sheet 2 - 69	

Symbol	Address	Type	Comment
"RESET_DEFINICOES_ORIGEM"	%MB172	USInt	
50	50	Int	
1500	1500	Int	
500	500	Int	
"Backup_Dados".dia		USInt	
"Backup_Dados".mes		USInt	
"Backup_Dados".ano		UInt	
"Backup_Dados".horas		USInt	
"Backup_Dados".minutos		USInt	
"Backup_Dados".segundos		USInt	

Network 40: BIT ON/OFF SISTEMA

- Implementa a escrita do estado de funcionamento do sistema



Symbol	Address	Type	Comment
1	1	Int	
0	0	Int	
6	6	Int	
'do'	'do'	String	
5	5	Int	
"Backup_Dados"	%DB4	Block_DB	
"Backup_Dados".sistema_on_off		USInt	
"Info_Sistema"	%DB2	Block_DB	
'Desli'	'Desli'	String	
'gado'	'gado'	String	
'Liga'	'Liga'	String	
"Info_Sistema".Info_Sistema		String	

Network 41: AJUSTE DE ENTRADAS ANALÓGICAS (PROGRAMMING ONLY)

- Permite efetuar o ajuste dos valores das entradas analógicas (apenas para efeitos de programação)

Owner	Project name	Abastecimento de água V11 - 1212C - Final	Date	6/21/2012
	Operator	Project Path D:\Documents and Settings\Tiago\Desktop\Dissertação Mestrado V11\Abastecimento de água V11 - 1212C - Final		
Designed By	Location			
	Description 1st			
Checked By	Description 2nd		Language	en-US
Approved By	1st View	Version	Sheet 2 - 70	

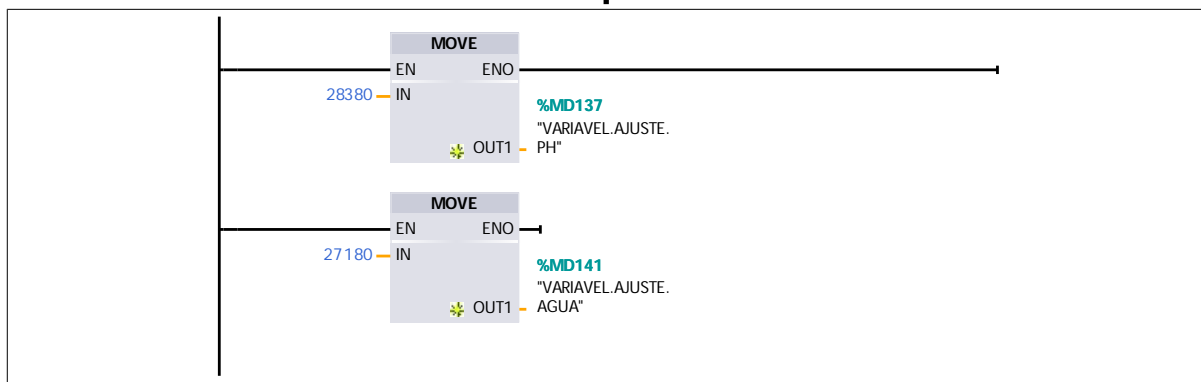
1

2

3

4

A



B

Symbol	Address	Type	Comment
"VARIABLE AJUSTE.PH"	%MD137	DInt	
"VARIABLE AJUSTE.AGUA"	%MD141	DInt	
27180	27180	DInt	
28380	28380	DInt	

C

D

E

F

Owner	Project name	Abastecimento de água V11 - 1212C - Final	Date	6/21/2012
Operator	Project Path	D:\Documents and Settings\Tiago\Desktop\Dissertação Mestrado V11\Abastecimento de água V11 - 1212C - Final		
Designed By	Description 1st	Location		
Checked By	Description 2nd	Language	en-US	
Approved By	1st View	Version	Sheet 2 - 71	

PLC_1 [CPU 1212C DC/DC/DC] / Program blocks

Backup_Dados [DB4]

Backup_Dados Properties

General

Name	Backup_Dados	Number	4
Type	DB	Language	DB

Information

Title		Author	
Comment		Family	
Version	0.1	User-defined ID	

Name	Data type	Offset	Start value	Retain	Accessible from HMI	Visible in HMI	Comment
▼ Static							
set_point_ph_consola	UInt		0	True	True	True	
opcao_alerta_ph	USInt		0	True	True	True	
opcao_alarme_ph	USInt		0	True	True	True	
velocidade_bomba_ph_consola_manual	UInt		0	True	True	True	
bit_auto_ph	USInt		0	True	True	True	
set_point_agua_mod0_2	UInt		0	True	True	True	
set_point_agua_mod0_4	UInt		0	True	True	True	
diferencial_mod0_3	UInt		0	True	True	True	
bomba_agua_manual	USInt		0	True	True	True	
bomba_ph_manual	USInt		0	True	True	True	
valvula_agua_manual	USInt		0	True	True	True	
opcao_mod0_funcionamento	UInt		2	True	True	True	
horas_total	UInt		0	True	True	True	
horas_parcial	UInt		0	True	True	True	
minutos_total	USInt		0	True	True	True	
minutos_parcial	USInt		0	True	True	True	
segundos_total	USInt		0	True	True	True	
segundos_parcial	USInt		0	True	True	True	
dias_total	UInt		0	True	True	True	
dias_parcial	UInt		0	True	True	True	
manutencao	UInt		0	True	True	True	
agua_total	USInt		0	True	True	True	

Owner	Project name	Abastecimento de água V11 - 1212C - Final	Date	6/21/2012
Operator	Project Path	D:\Documents and Settings\Tiago\Desktop\Dissertação Mestrado V11\Abastecimento de água V11 - 1212C - Final		
Designed By	Description 1st			
Checked By	Description 2nd	Language	en-US	
Approved By	1st View	Version	Sheet 3 - 1	

1

2

3

4

A

Name	Data type	Offset	Start value	Retain	Access- ible from HMI	Visible in HMI	Comment
agua_parcial	USInt		0	True	True	True	
circuito_1	Bool		false	True	True	True	
circuito_2	Bool		false	True	True	True	
circuito_3	Bool		false	True	True	True	
circuito_4	Bool		false	True	True	True	
circuito_5	Bool		false	True	True	True	
dia	USInt		0	True	True	True	
mes	USInt		0	True	True	True	
ano	UInt		0	True	True	True	
horas	USInt		0	True	True	True	
minutos	USInt		0	True	True	True	
segundos	USInt		0	True	True	True	
sistema_on_off	USInt		1	True	True	True	

B

C

D

E

F

Owner	Project name	Abastecimento de água V11 - 1212C - Final	Date	6/21/2012
Operator	Project Path	D:\Documents and Settings\Tiago\Desktop\Dissertação Mestrado V11\Abastecimento de água V11 - 1212C - Final		
	Location			
Designed By	Description 1st			
Checked By	Description 2nd	Language	en-US	
Approved By	1st View	Version	Sheet 3 - 2	

PLC_1 [CPU 1212C DC/DC/DC] / Program blocks

Data_Log [DB5]

Data_Log Properties			
General			
Name	Data_Log	Number	5
Type	DB	Language	DB
Information			
Title		Author	
Comment		Family	
Version	0.1	User-defined ID	

Name	Data type	Offset	Start value	Retain	Accessible from HMI	Visible in HMI	Comment
▼ Static							
Nome	String			False	True	True	
ID	DInt		0	False	True	True	
Header	String		'Água Consumida (m3),Dias,Horas,Minutos,Litros no Tanque,Valor do PH'	False	True	True	
Records	USInt		0	False	True	True	
▼ Data	Struct			False	True	True	
agua	USInt		0	False	True	True	
dias	UInt		0	False	True	True	
horas	UInt		0	False	True	True	
minutos	USInt		0	False	True	True	
litros_tanque	UInt		0	False	True	True	
valor_ph_data_log	UInt		0	False	True	True	

Owner	Project name	Abastecimento de água V11 - 1212C - Final	Date	6/21/2012
	Operator	Project Path	D:\Documents and Settings\Tiago\Desktop\Dissertação Mestrado V11\Abastecimento de água V11 - 1212C - Final	
Designed By		Location		
	Checked By	Description 1st		
Approved By		Description 2nd	Language	en-US
		1st View	Version	Sheet 4 - 1

1 2 3 4

A **PLC_1 [CPU 1212C DC/DC/DC] / Program blocks**

Estado_Funcionamento [DB1]

Estado_Funcionamento Properties

General

Name	Estado_Funcionamento	Number	1
Type	DB	Language	DB

Information

Title		Author	
Comment		Family	
Version	0.1	User-defined ID	

Name	Data type	Offset	Start value	Retain	Accessible from HMI	Visible in HMI	Comment
▼ Static							
Estado	String		"	False	True	True	

C

D

E

F

Owner	Project name	Abastecimento de água V11 - 1212C - Final	Date	6/21/2012
Operator	Project Path	D:\Documents and Settings\Tiago\Desktop\Dissertação Mestrado V11\Abastecimento de água V11 - 1212C - Final		
	Location			
Designed By	Description 1st			
Checked By	Description 2nd	Language	en-US	
Approved By	1st View	Version	Sheet 5 - 1	

PLC_1 [CPU 1212C DC/DC/DC] / Program blocks

Info_Sistema [DB2]

Info_Sistema Properties

General

Name	Info_Sistema	Number	2
Type	DB	Language	DB

Information

Title		Author	
Comment		Family	
Version	0.1	User-defined ID	

Name	Data type	Offset	Start value	Retain	Accessible from HMI	Visible in HMI	Comment
▼ Static							
Info_Sistema	String		"	False	True	True	
Modo_de_Funcionamento	String			False	True	True	
Modo_Nocturno	String			False	True	True	
Modo_Diurno	String			False	True	True	
Bomba_Agua	String			False	True	True	
Bomba_PH	String			False	True	True	
Valvula_Agua	String			False	True	True	
Circuito_1	String			False	True	True	
Circuito_2	String			False	True	True	
Circuito_3	String			False	True	True	
Circuito_4	String			False	True	True	
Circuito_5	String			False	True	True	
Bomba_Manual	String			False	True	True	
Bomba_PH_Manual	String			False	True	True	
Valvula_Manual	String			False	True	True	
Bit_Auto_PH	String			False	True	True	
Agua_Bomba	String			False	True	True	
Nivel_PH	String			False	True	True	
Alarme_PH	String			False	True	True	
Paragem_Emergencia	String			False	True	True	
Manutencao_Bomba	String			False	True	True	
Erro_Nivel_Modo_2	String			False	True	True	
Erro_Nivel_Modo_4	String			False	True	True	
Erro_Diferencial_Modo_3	String			False	True	True	

Owner	Project name	Abastecimento de água V11 - 1212C - Final	Date	6/21/2012
Operator	Project Path	D:\Documents and Settings\Tiago\Desktop\Dissertação Mestrado V11\Abastecimento de água V11 - 1212C - Final		
Designed By	Description 1st			
Checked By	Description 2nd	Language	en-US	
Approved By	1st View	Version	Sheet 6 - 1	

PLC_1 [CPU 1212C DC/DC/DC] / Program blocks

Relógio_Interno [DB3]

Relógio_Interno Properties

General

Name	Relógio_Interno	Number	3
Type	DB	Language	DB

Information

Title		Author	
Comment		Family	
Version	0.1	User-defined ID	

Name	Data type	Offset	Start value	Retain	Accessible from HMI	Visible in HMI	Comment
▼ Static							
▼ tempo_write	DTL		DTL#1970-1-1-0:0:0.0	False	True	True	
YEAR	UInt		1970	False	True	True	
MONTH	USInt		1	False	True	True	
DAY	USInt		1	False	True	True	
WEEKDAY	USInt		5	False	True	True	
HOUR	USInt		0	False	True	True	
MINUTE	USInt		0	False	True	True	
SECOND	USInt		0	False	True	True	
NANOSECOND	UDInt		0	False	True	True	
▼ tempo_read	DTL		DTL#1970-1-1-0:0:0.0	True	True	True	
YEAR	UInt		1970	True	True	True	
MONTH	USInt		1	True	True	True	
DAY	USInt		1	True	True	True	
WEEKDAY	USInt		5	True	True	True	
HOUR	USInt		0	True	True	True	
MINUTE	USInt		0	True	True	True	
SECOND	USInt		0	True	True	True	
NANOSECOND	UDInt		0	True	True	True	

Owner	Project name	Abastecimento de água V11 - 1212C - Final	Date	6/21/2012
Operator	Project Path	D:\Documents and Settings\Tiago\Desktop\Dissertação Mestrado V11\Abastecimento de água V11 - 1212C - Final		
Designed By	Description 1st	Location		
Checked By	Description 2nd	Language	en-US	
Approved By	1st View	Version	Sheet 7 - 1	

1 2 3 4

A **PLC_1 [CPU 1212C DC/DC/DC] / Program blocks / System blocks / Program resources**

DataLogClose_DB [DB8]

B

DataLogClose_DB Properties			
General			
Name	DataLogClose_DB	Number	8
Type	DB	Language	DB
Information			
Title		Author	SIMATIC
Comment		Family	DataLog
Version	1.0	User-defined ID	DL_Close

C

Name	Data type	Offset	Start value	Retain	Accessible from HMI	Visible in HMI	Comment
▼ Input							
REQ	Bool		false	False	True	True	
▼ Output							
DONE	Bool		false	False	True	True	
BUSY	Bool		false	False	True	True	
ERROR	Bool		false	False	True	True	
STATUS	Word		0	False	True	True	
▼ InOut							
ID	DWord		0	False	True	True	
Static							

D

E

F

Owner	Project name	Abastecimento de água V11 - 1212C - Final	Date	6/21/2012
Operator	Project Path	D:\Documents and Settings\Tiago\Desktop\Dissertação Mestrado V11\Abastecimento de água V11 - 1212C - Final		
Designed By	Description 1st	Location		
Checked By	Description 2nd	Language	en-US	
Approved By	1st View	Version	Sheet 8 - 1	

1 2 3 4

A **PLC_1 [CPU 1212C DC/DC/DC] / Program blocks / System blocks / Program resources**

DataLogCreate_DB [DB6]

DataLogCreate_DB Properties			
General			
Name	DataLogCreate_DB	Number	6
Type	DB	Language	DB
Information			
Title		Author	SIMATIC
Comment		Family	DataLog
Version	1.0	User-defined ID	DL_Creat

Name	Data type	Offset	Start value	Retain	Accessible from HMI	Visible in HMI	Comment
▼ Input							
REQ	Bool		false	False	True	True	
Records	UDInt		1	False	True	True	
Format	UInt		1	False	True	True	
Timestamp	UInt		1	False	True	True	
Name	Variant			False	True	True	
▼ Output							
DONE	Bool		false	False	True	True	
BUSY	Bool		false	False	True	True	
ERROR	Bool		false	False	True	True	
STATUS	Word		0	False	True	True	
▼ InOut							
ID	DWord		0	False	True	True	
Header	Variant			False	True	True	
Data	Variant			False	True	True	
Static							

Owner	Project name	Abastecimento de água V11 - 1212C - Final	Date	6/21/2012
	Operator	Project Path	D:\Documents and Settings\Tiago\Desktop\Dissertação Mestrado V11\Abastecimento de água V11 - 1212C - Final	
Designed By		Location		
	Checked By	Description 1st	Language	en-US
Approved By	Description 2nd	1st View	Version	Sheet 9 - 1

1 2 3 4

A **PLC_1 [CPU 1212C DC/DC/DC] / Program blocks / System blocks / Program resources**

DataLogOpen_DB [DB9]

DataLogOpen_DB Properties			
General			
Name	DataLogOpen_DB	Number	9
Type	DB	Language	DB
Information			
Title		Author	SIMATIC
Comment		Family	DataLog
Version	1.0	User-defined ID	DL_Open

Name	Data type	Offset	Start value	Retain	Accessible from HMI	Visible in HMI	Comment
▼ Input							
REQ	Bool		false	False	True	True	
MODE	UInt		0	False	True	True	
NAME	Variant			False	True	True	
▼ Output							
DONE	Bool		false	False	True	True	
BUSY	Bool		false	False	True	True	
ERROR	Bool		false	False	True	True	
STATUS	Word		0	False	True	True	
▼ InOut							
ID	DWord		0	False	True	True	
Static							

Owner	Project name	Abastecimento de água V11 - 1212C - Final	Date	6/21/2012
	Operator	Project Path	D:\Documents and Settings\Tiago\Desktop\Dissertação Mestrado V11\Abastecimento de água V11 - 1212C - Final	
Designed By		Location		
Checked By	Description 1st	Language	en-US	
Approved By	Description 2nd	Version	Sheet 10 - 1	
	1st View			

1 2 3 4

A **PLC_1 [CPU 1212C DC/DC/DC] / Program blocks / System blocks / Program resources**

DataLogWrite_DB [DB7]

DataLogWrite_DB Properties			
General			
Name	DataLogWrite_DB	Number	7
Type	DB	Language	DB
Information			
Title		Author	SIMATIC
Comment		Family	DataLog
Version	1.0	User-defined ID	DL_Write

Name	Data type	Offset	Start value	Retain	Accessible from HMI	Visible in HMI	Comment
▼ Input							
REQ	Bool		false	False	True	True	
▼ Output							
DONE	Bool		false	False	True	True	
BUSY	Bool		false	False	True	True	
ERROR	Bool		false	False	True	True	
STATUS	Word		0	False	True	True	
▼ InOut							
ID	DWord		0	False	True	True	
Static							

Owner	Project name	Abastecimento de água V11 - 1212C - Final	Date	6/21/2012
	Operator	Project Path	D:\Documents and Settings\Tiago\Desktop\Dissertação Mestrado V11\Abastecimento de água V11 - 1212C - Final	
Designed By		Location		
Checked By	Description 1st	Language	en-US	
Approved By	Description 2nd	Version	Sheet 11 - 1	
	1st View			

PLC_1 [CPU 1212C DC/DC/DC] / Program blocks / System blocks / Web server

DB 333 [DB333]

DB 333 Properties

General

Name	DB 333	Number	333
Type	DB	Language	DB

Information

Title		Author	AWP_S7P
Comment		Family	WEB
Version	1.0	User-defined ID	

Name	Data type	Offset	Start value	Retain	Accessible from HMI	Visible in HMI	Comment
▼ Static							
magic	DWord	0.0	DW#16#41575043	False	True	True	
consistency_tag	DWord	4.0	DW#16#47DEF6B0	False	True	True	
db_version	Word	8.0	W#16#0001	False	True	True	
length	UInt	10.0	3984	False	True	True	
pagetab_of	UInt	12.0	92	False	True	True	
pagetab_count	UInt	14.0	16	False	True	True	
excludetab_of	UInt	16.0	252	False	True	True	
excludetab_count	UInt	18.0	2	False	True	True	
fragmentlist_of	UInt	20.0	256	False	True	True	
fragment-list_count	UInt	22.0	17	False	True	True	
fragmenttab_of	UInt	24.0	296	False	True	True	
fragment-tab_count	UInt	26.0	17	False	True	True	
datatab_of	UInt	28.0	534	False	True	True	
datatab_count	UInt	30.0	72	False	True	True	
usename_of	UInt	32.0	822	False	True	True	
username-tab_count	UInt	34.0	0	False	True	True	
enumref_of	UInt	36.0	822	False	True	True	
enumref-tab_count	UInt	38.0	12	False	True	True	
enumtab_of	UInt	40.0	870	False	True	True	
enumtab_count	UInt	42.0	324	False	True	True	
textlist_of	UInt	44.0	1194	False	True	True	
textlist_count	UInt	46.0	2790	False	True	True	
language_frag_tab_of	UInt	48.0	290	False	True	True	

Owner	Project name	Abastecimento de água V11 - 1212C - Final	Date	6/21/2012
Operator	Project Path	D:\Documents and Settings\Tiago\Desktop\Dissertação Mestrado V11\Abastecimento de água V11 - 1212C - Final		
Designed By	Description 1st			
Checked By	Description 2nd	Language	en-US	
Approved By	1st View	Version	Sheet 12 - 1	

1

2

3

4

A

Name	Data type	Offset	Start value	Retain	Accessible from HMI	Visible in HMI	Comment
language_frag_tab_count	UInt	50.0	6	False	True	True	
application_name	UInt	52.0	1	False	True	True	
application_url	UInt	54.0	6	False	True	True	
application_desc	UInt	56.0	23	False	True	True	
enum_defs_fragment_start	UInt	58.0	17	False	True	True	
enum_defs_fragment_count	UInt	60.0	1	False	True	True	
▼ commandstate	Struct	62.0		False	True	True	
last_error	Int	0.0	0	False	True	True	
debug_mode	Int	2.0	0	False	True	True	
init	Bool	4.0	True	False	True	True	
deactivate	Bool	4.1	False	False	True	True	
initializing	Bool	4.2	False	False	True	True	
error	Bool	4.3	False	False	True	True	
deactivating	Bool	4.4	False	False	True	True	
deactivated	Bool	4.5	False	False	True	True	
initialized	Bool	4.6	False	False	True	True	
reserved1	Bool	4.7	False	False	True	True	
reserved2	Byte	5.0	B#16#00	False	True	True	
▼ requesttab	Array [1..4] of Struct	68.0		False	True	True	
▼ requesttab[1]	Struct			False	True	True	
page_index	UInt		0	False	True	True	
fragment_index	UInt		0	False	True	True	
continue	Bool		False	False	True	True	
repeat	Bool		False	False	True	True	
abort	Bool		False	False	True	True	
finish	Bool		False	False	True	True	
idle	Bool		False	False	True	True	
waiting	Bool		False	False	True	True	
sending	Bool		False	False	True	True	
aborting	Bool		False	False	True	True	
reserved3	Byte		B#16#00	False	True	True	
▼ requesttab[2]	Struct			False	True	True	
page_index	UInt		0	False	True	True	
fragment_index	UInt		0	False	True	True	
continue	Bool		False	False	True	True	
repeat	Bool		False	False	True	True	
abort	Bool		False	False	True	True	

B

C

D

E

F

Owner	Project name	Abastecimento de água V11 - 1212C - Final	Date	6/21/2012
Operator	Project Path	D:\Documents and Settings\Tiago\Desktop\Dissertação Mestrado V11\Abastecimento de água V11 - 1212C - Final		
Designed By	Description 1st			
Checked By	Description 2nd	Language	en-US	
Approved By	1st View	Version	Sheet 12 - 2	

1

2

3

4

A

Name	Data type	Offset	Start value	Retain	Accessible from HMI	Visible in HMI	Comment
finish	Bool		False	False	True	True	
idle	Bool		False	False	True	True	
waiting	Bool		False	False	True	True	
sending	Bool		False	False	True	True	
aborting	Bool		False	False	True	True	
reserved3	Byte		B#16#00	False	True	True	
▼ requesttab[3]	Struct			False	True	True	
page_index	UInt		0	False	True	True	
fragment_index	UInt		0	False	True	True	
continue	Bool		False	False	True	True	
repeat	Bool		False	False	True	True	
abort	Bool		False	False	True	True	
finish	Bool		False	False	True	True	
idle	Bool		False	False	True	True	
waiting	Bool		False	False	True	True	
sending	Bool		False	False	True	True	
aborting	Bool		False	False	True	True	
reserved3	Byte		B#16#00	False	True	True	
▼ requesttab[4]	Struct			False	True	True	
page_index	UInt		0	False	True	True	
fragment_index	UInt		0	False	True	True	
continue	Bool		False	False	True	True	
repeat	Bool		False	False	True	True	
abort	Bool		False	False	True	True	
finish	Bool		False	False	True	True	
idle	Bool		False	False	True	True	
waiting	Bool		False	False	True	True	
sending	Bool		False	False	True	True	
aborting	Bool		False	False	True	True	
reserved3	Byte		B#16#00	False	True	True	
▼ pagetab	Array [1..16] of Struct	92.0		False	True	True	
▼ pagetab[1]	Struct			False	True	True	
index	UInt		1	False	True	True	
url	UInt		24	False	True	True	
mime_type	UInt		38	False	True	True	
fragment_start	UInt		1	False	True	True	
fragment_num	UInt		1	False	True	True	
▼ pagetab[2]	Struct			False	True	True	

B

C

D

E

F

Owner	Project name	Abastecimento de água V11 - 1212C - Final	Date	6/21/2012
Operator	Project Path	D:\Documents and Settings\Tiago\Desktop\Dissertação Mestrado V11\Abastecimento de água V11 - 1212C - Final		
Designed By	Description 1st			
Checked By	Description 2nd	Language	en-US	
Approved By	1st View	Version	Sheet 12 - 3	

1

2

3

4

A

Name	Data type	Offset	Start value	Retain	Accessible from HMI	Visible in HMI	Comment
index	UInt		2	False	True	True	
url	UInt		48	False	True	True	
mime_type	UInt		60	False	True	True	
fragment_start	UInt		2	False	True	True	
fragment_num	UInt		1	False	True	True	
▼ pagetab[3]	Struct			False	True	True	
index	UInt		3	False	True	True	
url	UInt		70	False	True	True	
mime_type	UInt		86	False	True	True	
fragment_start	UInt		3	False	True	True	
fragment_num	UInt		1	False	True	True	
▼ pagetab[4]	Struct			False	True	True	
index	UInt		4	False	True	True	
url	UInt		96	False	True	True	
mime_type	UInt		116	False	True	True	
fragment_start	UInt		4	False	True	True	
fragment_num	UInt		1	False	True	True	
▼ pagetab[5]	Struct			False	True	True	
index	UInt		5	False	True	True	
url	UInt		126	False	True	True	
mime_type	UInt		146	False	True	True	
fragment_start	UInt		5	False	True	True	
fragment_num	UInt		1	False	True	True	
▼ pagetab[6]	Struct			False	True	True	
index	UInt		6	False	True	True	
url	UInt		156	False	True	True	
mime_type	UInt		179	False	True	True	
fragment_start	UInt		6	False	True	True	
fragment_num	UInt		1	False	True	True	
▼ pagetab[7]	Struct			False	True	True	
index	UInt		7	False	True	True	
url	UInt		204	False	True	True	
mime_type	UInt		221	False	True	True	
fragment_start	UInt		7	False	True	True	

B

C

D

E

F

Owner	Project name	Abastecimento de água V11 - 1212C - Final	Date	6/21/2012
Operator	Project Path	D:\Documents and Settings\Tiago\Desktop\Dissertação Mestrado V11\Abastecimento de água V11 - 1212C - Final		
Designed By	Description 1st	Location		
Checked By	Description 2nd	Language	en-US	
Approved By	1st View	Version	Sheet 12 - 4	

1

2

3

4

A

Name	Data type	Offset	Start value	Retain	Accessible from HMI	Visible in HMI	Comment
fragment_num	UInt		1	False	True	True	
▼ pagetab[8]	Struct			False	True	True	
index	UInt		8	False	True	True	
url	UInt		246	False	True	True	
mime_type	UInt		264	False	True	True	
fragment_start	UInt		8	False	True	True	
fragment_num	UInt		1	False	True	True	
▼ pagetab[9]	Struct			False	True	True	
index	UInt		9	False	True	True	
url	UInt		274	False	True	True	
mime_type	UInt		292	False	True	True	
fragment_start	UInt		9	False	True	True	
fragment_num	UInt		1	False	True	True	
▼ pagetab[10]	Struct			False	True	True	
index	UInt		10	False	True	True	
url	UInt		302	False	True	True	
mime_type	UInt		313	False	True	True	
fragment_start	UInt		10	False	True	True	
fragment_num	UInt		1	False	True	True	
▼ pagetab[11]	Struct			False	True	True	
index	UInt		11	False	True	True	
url	UInt		323	False	True	True	
mime_type	UInt		338	False	True	True	
fragment_start	UInt		11	False	True	True	
fragment_num	UInt		1	False	True	True	
▼ pagetab[12]	Struct			False	True	True	
index	UInt		12	False	True	True	
url	UInt		348	False	True	True	
mime_type	UInt		359	False	True	True	
fragment_start	UInt		12	False	True	True	
fragment_num	UInt		1	False	True	True	
▼ pagetab[13]	Struct			False	True	True	
index	UInt		13	False	True	True	
url	UInt		369	False	True	True	

B

C

D

E

F

Owner	Project name	Abastecimento de água V11 - 1212C - Final	Date	6/21/2012
Operator	Project Path	D:\Documents and Settings\Tiago\Desktop\Dissertação Mestrado V11\Abastecimento de água V11 - 1212C - Final		
Designed By	Description 1st	Location		
Checked By	Description 2nd	Language	en-US	
Approved By	1st View	Version	Sheet 12 - 5	

1

2

3

4

A

Name	Data type	Offset	Start value	Retain	Accessible from HMI	Visible in HMI	Comment
mime_type	UInt		376	False	True	True	
fragment_start	UInt		13	False	True	True	
fragment_num	UInt		1	False	True	True	
▼ pagetab[14]	Struct			False	True	True	
index	UInt		14	False	True	True	
url	UInt		386	False	True	True	
mime_type	UInt		402	False	True	True	
fragment_start	UInt		14	False	True	True	
fragment_num	UInt		1	False	True	True	
▼ pagetab[15]	Struct			False	True	True	
index	UInt		15	False	True	True	
url	UInt		412	False	True	True	
mime_type	UInt		446	False	True	True	
fragment_start	UInt		15	False	True	True	
fragment_num	UInt		1	False	True	True	
▼ pagetab[16]	Struct			False	True	True	
index	UInt		16	False	True	True	
url	UInt		455	False	True	True	
mime_type	UInt		472	False	True	True	
fragment_start	UInt		16	False	True	True	
fragment_num	UInt		1	False	True	True	
▼ excludetab	Array [1..2] of UInt	252.0		False	True	True	
excludetab[1]	UInt		482	False	True	True	
excludetab[2]	UInt		489	False	True	True	
▼ fragmentlist	Array [1..17] of UInt	256.0		False	True	True	
fragmentlist[1]	UInt		9	False	True	True	
fragmentlist[2]	UInt		10	False	True	True	
fragmentlist[3]	UInt		1	False	True	True	
fragmentlist[4]	UInt		2	False	True	True	
fragmentlist[5]	UInt		3	False	True	True	
fragmentlist[6]	UInt		4	False	True	True	
fragmentlist[7]	UInt		5	False	True	True	
fragmentlist[8]	UInt		6	False	True	True	
fragmentlist[9]	UInt		7	False	True	True	

B

C

D

E

F

Owner

Project name Abastecimento de água V11 - 1212C - Final

Date 6/21/2012

Operator

Project Path
D:\Documents and Settings\Tiago\Desktop\Dissertação Mestrado
V11\Abastecimento de água V11 - 1212C - Final

Location

Designed By

Description 1st

Checked By

Description 2nd

Language en-US

Approved By

1st View

Version

Sheet 12 - 6

1

2

3

4

A

Name	Data type	Offset	Start value	Retain	Access- ible from HMI	Visible in HMI	Comment
fragment-list[10]	UInt		11	False	True	True	
fragment-list[11]	UInt		12	False	True	True	
fragment-list[12]	UInt		13	False	True	True	
fragment-list[13]	UInt		14	False	True	True	
fragment-list[14]	UInt		15	False	True	True	
fragment-list[15]	UInt		8	False	True	True	
fragment-list[16]	UInt		16	False	True	True	
fragment-list[17]	UInt		17	False	True	True	
▼ language_frag_tab	Struct	290.0		False	True	True	
max_language	UInt	0.0	0	False	True	True	
fragment_count	UInt	2.0	0	False	True	True	
nolang_offset	UInt	4.0	0	False	True	True	
▼ fragmenttab	Array [1..17] of Struct	296.0		False	True	True	
▼ fragmenttab[1]	Struct			False	True	True	
fragment_name	UInt		500	False	True	True	
fragment_type	Byte		B#16#00	False	True	True	
fragment_version	Byte		B#16#00	False	True	True	
content_db	UInt		334	False	True	True	
content_of	UInt		8	False	True	True	
content_length	UInt		688	False	True	True	
data_start	UInt		0	False	True	True	
data_num	UInt		0	False	True	True	
▼ fragmenttab[2]	Struct			False	True	True	
fragment_name	UInt		516	False	True	True	
fragment_type	Byte		B#16#00	False	True	True	
fragment_version	Byte		B#16#00	False	True	True	
content_db	UInt		334	False	True	True	

B

C

D

E

F

Owner	Project name	Abastecimento de água V11 - 1212C - Final	Date	6/21/2012
Operator	Project Path	D:\Documents and Settings\Tiago\Desktop\Dissertação Mestrado V11\Abastecimento de água V11 - 1212C - Final		
Designed By	Description 1st			
Checked By	Description 2nd	Language	en-US	
Approved By	1st View	Version	Sheet 12 - 7	

1

2

3

4

A

Name	Data type	Offset	Start value	Retain	Accessible from HMI	Visible in HMI	Comment
content_of	UInt		696	False	True	True	
content_length	UInt		17111	False	True	True	
data_start	UInt		0	False	True	True	
data_num	UInt		0	False	True	True	
▼ fragmenttab[3]	Struct			False	True	True	
fragment_name	UInt		536	False	True	True	
fragment_type	Byte		B#16#00	False	True	True	
fragment_version	Byte		B#16#00	False	True	True	
content_db	UInt		334	False	True	True	
content_of	UInt		17808	False	True	True	
content_length	UInt		17538	False	True	True	
data_start	UInt		0	False	True	True	
data_num	UInt		0	False	True	True	
▼ fragmenttab[4]	Struct			False	True	True	
fragment_name	UInt		556	False	True	True	
fragment_type	Byte		B#16#00	False	True	True	
fragment_version	Byte		B#16#00	False	True	True	
content_db	UInt		334	False	True	True	
content_of	UInt		35346	False	True	True	
content_length	UInt		2729	False	True	True	
data_start	UInt		0	False	True	True	
data_num	UInt		0	False	True	True	
▼ fragmenttab[5]	Struct			False	True	True	
fragment_name	UInt		579	False	True	True	
fragment_type	Byte		B#16#00	False	True	True	
fragment_version	Byte		B#16#00	False	True	True	
content_db	UInt		334	False	True	True	
content_of	UInt		38076	False	True	True	
content_length	UInt		19968	False	True	True	
data_start	UInt		0	False	True	True	

B

C

D

E

F

Owner	Project name	Abastecimento de água V11 - 1212C - Final	Date	6/21/2012
Operator	Project Path	D:\Documents and Settings\Tiago\Desktop\Dissertação Mestrado V11\Abastecimento de água V11 - 1212C - Final		
Designed By	Description 1st	Location		
Checked By	Description 2nd	Language	en-US	
Approved By	1st View	Version	Sheet 12 - 8	

1

2

3

4

A

Name	Data type	Offset	Start value	Retain	Accessible from HMI	Visible in HMI	Comment
data_num	UInt		0	False	True	True	
▼ fragmenttab[6]	Struct			False	True	True	
fragment_name	UInt		596	False	True	True	
fragment_type	Byte		B#16#00	False	True	True	
fragment_version	Byte		B#16#00	False	True	True	
content_db	UInt		334	False	True	True	
content_of	UInt		58044	False	True	True	
content_length	UInt		1074	False	True	True	
data_start	UInt		0	False	True	True	
data_num	UInt		0	False	True	True	
▼ fragmenttab[7]	Struct			False	True	True	
fragment_name	UInt		614	False	True	True	
fragment_type	Byte		B#16#00	False	True	True	
fragment_version	Byte		B#16#00	False	True	True	
content_db	UInt		334	False	True	True	
content_of	UInt		59118	False	True	True	
content_length	UInt		1136	False	True	True	
data_start	UInt		0	False	True	True	
data_num	UInt		0	False	True	True	
▼ fragmenttab[8]	Struct			False	True	True	
fragment_name	UInt		632	False	True	True	
fragment_type	Byte		B#16#00	False	True	True	
fragment_version	Byte		B#16#00	False	True	True	
content_db	UInt		334	False	True	True	
content_of	UInt		60254	False	True	True	
content_length	UInt		2672	False	True	True	
data_start	UInt		0	False	True	True	
data_num	UInt		0	False	True	True	
▼ fragmenttab[9]	Struct			False	True	True	
fragment_name	UInt		666	False	True	True	

B

C

D

E

F

Owner

Project name Abastecimento de água V11 - 1212C - Final

Date 6/21/2012

Operator

Project Path
D:\Documents and Settings\Tiago\Desktop\Dissertação Mestrado
V11\Abastecimento de água V11 - 1212C - Final

Location

Designed By

Description 1st

Checked By

Description 2nd

Language en-US

Approved By

1st View

Version

Sheet 12 - 9

1

2

3

4

A

Name	Data type	Offset	Start value	Retain	Access- ible from HMI	Visible in HMI	Comment
frag- ment_type	Byte		B#16#00	False	True	True	
frag- ment_ver- sion	Byte		B#16#00	False	True	True	
content_db	UInt		335	False	True	True	
content_of	UInt		8	False	True	True	
con- tent_length	UInt		4257	False	True	True	
data_start	UInt		1	False	True	True	
data_num	UInt		12	False	True	True	
▼ fragment- tab[10]	Struct			False	True	True	
frag- ment_name	UInt		680	False	True	True	
frag- ment_type	Byte		B#16#00	False	True	True	
frag- ment_ver- sion	Byte		B#16#00	False	True	True	
content_db	UInt		335	False	True	True	
content_of	UInt		4266	False	True	True	
con- tent_length	UInt		2991	False	True	True	
data_start	UInt		13	False	True	True	
data_num	UInt		9	False	True	True	
▼ fragment- tab[11]	Struct			False	True	True	
frag- ment_name	UInt		692	False	True	True	
frag- ment_type	Byte		B#16#00	False	True	True	
frag- ment_ver- sion	Byte		B#16#00	False	True	True	
content_db	UInt		335	False	True	True	
content_of	UInt		7258	False	True	True	
con- tent_length	UInt		6448	False	True	True	
data_start	UInt		22	False	True	True	
data_num	UInt		15	False	True	True	
▼ fragment- tab[12]	Struct			False	True	True	
frag- ment_name	UInt		703	False	True	True	
frag- ment_type	Byte		B#16#00	False	True	True	

B

C

D

E

Owner

Project name Abastecimento de água V11 - 1212C - Final

Date 6/21/2012

Operator

Project Path
D:\Documents and Settings\Tiago\Desktop\Dissertação Mestrado
V11\Abastecimento de água V11 - 1212C - Final

Location

Designed By

Description 1st

Checked By

Description 2nd

Language en-US

Approved By

1st View

Version

Sheet 12 - 10

F

1

2

3

4

A

Name	Data type	Offset	Start value	Retain	Access- ible from HMI	Visible in HMI	Comment
frag- ment_ver- sion	Byte		B#16#00	False	True	True	
content_db	UInt		335	False	True	True	
content_of	UInt		13706	False	True	True	
con- tent_length	UInt		2369	False	True	True	
data_start	UInt		37	False	True	True	
data_num	UInt		2	False	True	True	
▼ fragment- tab[13]	Struct			False	True	True	
frag- ment_name	UInt		718	False	True	True	
frag- ment_type	Byte		B#16#00	False	True	True	
frag- ment_ver- sion	Byte		B#16#00	False	True	True	
content_db	UInt		335	False	True	True	
content_of	UInt		16076	False	True	True	
con- tent_length	UInt		2126	False	True	True	
data_start	UInt		39	False	True	True	
data_num	UInt		1	False	True	True	
▼ fragment- tab[14]	Struct			False	True	True	
frag- ment_name	UInt		729	False	True	True	
frag- ment_type	Byte		B#16#00	False	True	True	
frag- ment_ver- sion	Byte		B#16#00	False	True	True	
content_db	UInt		335	False	True	True	
content_of	UInt		18202	False	True	True	
con- tent_length	UInt		5067	False	True	True	
data_start	UInt		40	False	True	True	
data_num	UInt		5	False	True	True	
▼ fragment- tab[15]	Struct			False	True	True	
frag- ment_name	UInt		736	False	True	True	
frag- ment_type	Byte		B#16#00	False	True	True	
frag- ment_ver- sion	Byte		B#16#00	False	True	True	

B

C

D

E

F

Owner	Project name	Abastecimento de água V11 - 1212C - Final	Date	6/21/2012
Operator	Project Path	D:\Documents and Settings\Tiago\Desktop\Dissertação Mestrado V11\Abastecimento de água V11 - 1212C - Final		
Designed By	Description 1st	Location		
Checked By	Description 2nd	Language	en-US	
Approved By	1st View	Version	Sheet 12 - 11	

1

2

3

4

A

Name	Data type	Offset	Start value	Retain	Accessible from HMI	Visible in HMI	Comment
content_db	UInt		335	False	True	True	
content_of	UInt		23270	False	True	True	
content_length	UInt		3641	False	True	True	
data_start	UInt		45	False	True	True	
data_num	UInt		9	False	True	True	
▼ fragment-tab[16]	Struct			False	True	True	
fragment_name	UInt		752	False	True	True	
fragment_type	Byte		B#16#00	False	True	True	
fragment_version	Byte		B#16#00	False	True	True	
content_db	UInt		335	False	True	True	
content_of	UInt		26912	False	True	True	
content_length	UInt		4779	False	True	True	
data_start	UInt		54	False	True	True	
data_num	UInt		19	False	True	True	
▼ fragment-tab[17]	Struct			False	True	True	
fragment_name	UInt		769	False	True	True	
fragment_type	Byte		B#16#00	False	True	True	
fragment_version	Byte		B#16#00	False	True	True	
content_db	UInt		335	False	True	True	
content_of	UInt		31692	False	True	True	
content_length	UInt		424	False	True	True	
data_start	UInt		0	False	True	True	
data_num	UInt		0	False	True	True	
▼ datatab	Array [1..72] of Struct	534.0		False	True	True	
▼ datatab[1]	Struct			False	True	True	
variable_name	UInt		778	False	True	True	
direction	Int		3	False	True	True	
▼ datatab[2]	Struct			False	True	True	
variable_name	UInt		804	False	True	True	
direction	Int		3	False	True	True	

B

C

D

E

F

Owner	Project name	Abastecimento de água V11 - 1212C - Final	Date	6/21/2012
Operator	Project Path	D:\Documents and Settings\Tiago\Desktop\Dissertação Mestrado V11\Abastecimento de água V11 - 1212C - Final		
Designed By	Description 1st	Location		
Checked By	Description 2nd	Language	en-US	
Approved By	1st View	Version	Sheet 12 - 12	

1

2

3

4

A

Name	Data type	Offset	Start value	Retain	Accessible from HMI	Visible in HMI	Comment
▼ datatab[3]	Struct			False	True	True	
variable_name	UInt		830	False	True	True	
direction	Int		3	False	True	True	
▼ datatab[4]	Struct			False	True	True	
variable_name	UInt		856	False	True	True	
direction	Int		3	False	True	True	
▼ datatab[5]	Struct			False	True	True	
variable_name	UInt		882	False	True	True	
direction	Int		3	False	True	True	
▼ datatab[6]	Struct			False	True	True	
variable_name	UInt		908	False	True	True	
direction	Int		1	False	True	True	
▼ datatab[7]	Struct			False	True	True	
variable_name	UInt		948	False	True	True	
direction	Int		1	False	True	True	
▼ datatab[8]	Struct			False	True	True	
variable_name	UInt		985	False	True	True	
direction	Int		1	False	True	True	
▼ datatab[9]	Struct			False	True	True	
variable_name	UInt		1011	False	True	True	
direction	Int		1	False	True	True	
▼ datatab[10]	Struct			False	True	True	
variable_name	UInt		1037	False	True	True	
direction	Int		1	False	True	True	
▼ datatab[11]	Struct			False	True	True	
variable_name	UInt		1063	False	True	True	
direction	Int		1	False	True	True	
▼ datatab[12]	Struct			False	True	True	
variable_name	UInt		1089	False	True	True	
direction	Int		1	False	True	True	
▼ datatab[13]	Struct			False	True	True	
variable_name	UInt		1115	False	True	True	

B

C

D

E

F

Owner	Project name	Abastecimento de água V11 - 1212C - Final	Date	6/21/2012
Operator	Project Path	D:\Documents and Settings\Tiago\Desktop\Dissertação Mestrado V11\Abastecimento de água V11 - 1212C - Final		
Designed By	Description 1st	Location		
Checked By	Description 2nd	Language	en-US	
Approved By	1st View	Version	Sheet 12 - 13	

1

2

3

4

A

Name	Data type	Offset	Start value	Retain	Accessible from HMI	Visible in HMI	Comment
direction	Int		2	False	True	True	
▼ datatab[14]	Struct			False	True	True	
variable_name	UInt		1137	False	True	True	
direction	Int		1	False	True	True	
▼ datatab[15]	Struct			False	True	True	
variable_name	UInt		1166	False	True	True	
direction	Int		1	False	True	True	
▼ datatab[16]	Struct			False	True	True	
variable_name	UInt		1193	False	True	True	
direction	Int		1	False	True	True	
▼ datatab[17]	Struct			False	True	True	
variable_name	UInt		1219	False	True	True	
direction	Int		1	False	True	True	
▼ datatab[18]	Struct			False	True	True	
variable_name	UInt		1246	False	True	True	
direction	Int		1	False	True	True	
▼ datatab[19]	Struct			False	True	True	
variable_name	UInt		1275	False	True	True	
direction	Int		1	False	True	True	
▼ datatab[20]	Struct			False	True	True	
variable_name	UInt		1303	False	True	True	
direction	Int		1	False	True	True	
▼ datatab[21]	Struct			False	True	True	
variable_name	UInt		1332	False	True	True	
direction	Int		1	False	True	True	
▼ datatab[22]	Struct			False	True	True	
variable_name	UInt		1363	False	True	True	
direction	Int		2	False	True	True	
▼ datatab[23]	Struct			False	True	True	
variable_name	UInt		1376	False	True	True	
direction	Int		2	False	True	True	
▼ datatab[24]	Struct			False	True	True	

B

C

D

E

F

Owner	Project name	Abastecimento de água V11 - 1212C - Final	Date	6/21/2012
Operator	Project Path	D:\Documents and Settings\Tiago\Desktop\Dissertação Mestrado V11\Abastecimento de água V11 - 1212C - Final		
Designed By	Description 1st	Location		
Checked By	Description 2nd	Language	en-US	
Approved By	1st View	Version	Sheet 12 - 14	

A

B

C

D

E

F

Name	Data type	Offset	Start value	Retain	Accessible from HMI	Visible in HMI	Comment
variable_name	UInt		1389	False	True	True	
direction	Int		2	False	True	True	
▼ datatab[25]	Struct			False	True	True	
variable_name	UInt		1402	False	True	True	
direction	Int		2	False	True	True	
▼ datatab[26]	Struct			False	True	True	
variable_name	UInt		1415	False	True	True	
direction	Int		2	False	True	True	
▼ datatab[27]	Struct			False	True	True	
variable_name	UInt		1445	False	True	True	
direction	Int		3	False	True	True	
▼ datatab[28]	Struct			False	True	True	
variable_name	UInt		1478	False	True	True	
direction	Int		3	False	True	True	
▼ datatab[29]	Struct			False	True	True	
variable_name	UInt		1509	False	True	True	
direction	Int		3	False	True	True	
▼ datatab[30]	Struct			False	True	True	
variable_name	UInt		1544	False	True	True	
direction	Int		3	False	True	True	
▼ datatab[31]	Struct			False	True	True	
variable_name	UInt		1594	False	True	True	
direction	Int		1	False	True	True	
▼ datatab[32]	Struct			False	True	True	
variable_name	UInt		1634	False	True	True	
direction	Int		1	False	True	True	
▼ datatab[33]	Struct			False	True	True	
variable_name	UInt		1671	False	True	True	
direction	Int		1	False	True	True	
▼ datatab[34]	Struct			False	True	True	
variable_name	UInt		1697	False	True	True	
direction	Int		1	False	True	True	

Owner	Project name	Abastecimento de água V11 - 1212C - Final	Date	6/21/2012
Operator	Project Path	D:\Documents and Settings\Tiago\Desktop\Dissertação Mestrado V11\Abastecimento de água V11 - 1212C - Final		
Designed By	Description 1st			
Checked By	Description 2nd	Language	en-US	
Approved By	1st View	Version	Sheet 12 - 15	

1

2

3

4

A

Name	Data type	Offset	Start value	Retain	Accessible from HMI	Visible in HMI	Comment
▼ datatab[35]	Struct			False	True	True	
variable_name	UInt		1721	False	True	True	
direction	Int		1	False	True	True	
▼ datatab[36]	Struct			False	True	True	
variable_name	UInt		1749	False	True	True	
direction	Int		1	False	True	True	
▼ datatab[37]	Struct			False	True	True	
variable_name	UInt		1777	False	True	True	
direction	Int		2	False	True	True	
▼ datatab[38]	Struct			False	True	True	
variable_name	UInt		1810	False	True	True	
direction	Int		1	False	True	True	
▼ datatab[39]	Struct			False	True	True	
variable_name	UInt		1836	False	True	True	
direction	Int		2	False	True	True	
▼ datatab[40]	Struct			False	True	True	
variable_name	UInt		1862	False	True	True	
direction	Int		3	False	True	True	
▼ datatab[41]	Struct			False	True	True	
variable_name	UInt		1898	False	True	True	
direction	Int		3	False	True	True	
▼ datatab[42]	Struct			False	True	True	
variable_name	UInt		1929	False	True	True	
direction	Int		3	False	True	True	
▼ datatab[43]	Struct			False	True	True	
variable_name	UInt		1960	False	True	True	
direction	Int		3	False	True	True	
▼ datatab[44]	Struct			False	True	True	
variable_name	UInt		1987	False	True	True	
direction	Int		1	False	True	True	
▼ datatab[45]	Struct			False	True	True	
variable_name	UInt		2014	False	True	True	

B

C

D

E

F

Owner	Project name	Abastecimento de água V11 - 1212C - Final	Date	6/21/2012
Operator	Project Path	D:\Documents and Settings\Tiago\Desktop\Dissertação Mestrado V11\Abastecimento de água V11 - 1212C - Final		
Designed By	Description 1st	Location		
Checked By	Description 2nd	Language	en-US	
Approved By	1st View	Version	Sheet 12 - 16	

1

2

3

4

A

Name	Data type	Offset	Start value	Retain	Accessible from HMI	Visible in HMI	Comment
direction	Int		3	False	True	True	
▼ datatab[46]	Struct			False	True	True	
variable_name	UInt		2051	False	True	True	
direction	Int		3	False	True	True	
▼ datatab[47]	Struct			False	True	True	
variable_name	UInt		2088	False	True	True	
direction	Int		3	False	True	True	
▼ datatab[48]	Struct			False	True	True	
variable_name	UInt		2122	False	True	True	
direction	Int		2	False	True	True	
▼ datatab[49]	Struct			False	True	True	
variable_name	UInt		2135	False	True	True	
direction	Int		1	False	True	True	
▼ datatab[50]	Struct			False	True	True	
variable_name	UInt		2161	False	True	True	
direction	Int		1	False	True	True	
▼ datatab[51]	Struct			False	True	True	
variable_name	UInt		2189	False	True	True	
direction	Int		1	False	True	True	
▼ datatab[52]	Struct			False	True	True	
variable_name	UInt		2222	False	True	True	
direction	Int		1	False	True	True	
▼ datatab[53]	Struct			False	True	True	
variable_name	UInt		2261	False	True	True	
direction	Int		1	False	True	True	
▼ datatab[54]	Struct			False	True	True	
variable_name	UInt		2294	False	True	True	
direction	Int		1	False	True	True	
▼ datatab[55]	Struct			False	True	True	
variable_name	UInt		2322	False	True	True	
direction	Int		1	False	True	True	
▼ datatab[56]	Struct			False	True	True	

B

C

D

E

F

Owner

Project name Abastecimento de água V11 - 1212C - Final

Date 6/21/2012

Operator

Project Path
D:\Documents and Settings\Tiago\Desktop\Dissertação Mestrado
V11\Abastecimento de água V11 - 1212C - Final

Location

Designed By

Description 1st

Checked By

Description 2nd

Language en-US

Approved By

1st View

Version

Sheet 12 - 17

1

2

3

4

A

Name	Data type	Offset	Start value	Retain	Access- ible from HMI	Visible in HMI	Comment
variable_name	UInt		2352	False	True	True	
direction	Int		1	False	True	True	
▼ datatab[57]	Struct			False	True	True	
variable_name	UInt		2392	False	True	True	
direction	Int		1	False	True	True	
▼ datatab[58]	Struct			False	True	True	
variable_name	UInt		2429	False	True	True	
direction	Int		1	False	True	True	
▼ datatab[59]	Struct			False	True	True	
variable_name	UInt		2435	False	True	True	
direction	Int		1	False	True	True	
▼ datatab[60]	Struct			False	True	True	
variable_name	UInt		2441	False	True	True	
direction	Int		1	False	True	True	
▼ datatab[61]	Struct			False	True	True	
variable_name	UInt		2467	False	True	True	
direction	Int		1	False	True	True	
▼ datatab[62]	Struct			False	True	True	
variable_name	UInt		2491	False	True	True	
direction	Int		1	False	True	True	
▼ datatab[63]	Struct			False	True	True	
variable_name	UInt		2519	False	True	True	
direction	Int		1	False	True	True	
▼ datatab[64]	Struct			False	True	True	
variable_name	UInt		2545	False	True	True	
direction	Int		1	False	True	True	
▼ datatab[65]	Struct			False	True	True	
variable_name	UInt		2571	False	True	True	
direction	Int		1	False	True	True	
▼ datatab[66]	Struct			False	True	True	
variable_name	UInt		2597	False	True	True	
direction	Int		1	False	True	True	

B

C

D

E

F

Owner	Project name	Abastecimento de água V11 - 1212C - Final	Date	6/21/2012
Operator	Project Path	D:\Documents and Settings\Tiago\Desktop\Dissertação Mestrado V11\Abastecimento de água V11 - 1212C - Final		
Designed By	Description 1st	Location		
Checked By	Description 2nd	Language	en-US	
Approved By	1st View	Version	Sheet 12 - 18	

1

2

3

4

A

Name	Data type	Offset	Start value	Retain	Accessible from HMI	Visible in HMI	Comment
▼ datatab[67]	Struct			False	True	True	
variable_name	UInt		2623	False	True	True	
direction	Int		1	False	True	True	
▼ datatab[68]	Struct			False	True	True	
variable_name	UInt		2649	False	True	True	
direction	Int		1	False	True	True	
▼ datatab[69]	Struct			False	True	True	
variable_name	UInt		2675	False	True	True	
direction	Int		1	False	True	True	
▼ datatab[70]	Struct			False	True	True	
variable_name	UInt		2699	False	True	True	
direction	Int		1	False	True	True	
▼ datatab[71]	Struct			False	True	True	
variable_name	UInt		2724	False	True	True	
direction	Int		1	False	True	True	
▼ datatab[72]	Struct			False	True	True	
variable_name	UInt		2758	False	True	True	
direction	Int		1	False	True	True	
▼ enumreftab	Array [1..12] of Struct	822.0		False	True	True	
▼ enumreftab[1]	Struct			False	True	True	
enum_ref	UInt		1	False	True	True	
index	UInt		1	False	True	True	
▼ enumreftab[2]	Struct			False	True	True	
enum_ref	UInt		15	False	True	True	
index	UInt		2	False	True	True	
▼ enumreftab[3]	Struct			False	True	True	
enum_ref	UInt		29	False	True	True	
index	UInt		3	False	True	True	
▼ enumreftab[4]	Struct			False	True	True	
enum_ref	UInt		43	False	True	True	
index	UInt		4	False	True	True	
▼ enumreftab[5]	Struct			False	True	True	
enum_ref	UInt		57	False	True	True	
index	UInt		5	False	True	True	
▼ enumreftab[6]	Struct			False	True	True	

B

C

D

E

F

Owner	Project name	Abastecimento de água V11 - 1212C - Final	Date	6/21/2012
Operator	Project Path	D:\Documents and Settings\Tiago\Desktop\Dissertação Mestrado V11\Abastecimento de água V11 - 1212C - Final		
Designed By	Description 1st	Location		
Checked By	Description 2nd	Language	en-US	
Approved By	1st View	Version	Sheet 12 - 19	

1

2

3

4

A

Name	Data type	Offset	Start value	Retain	Accessible from HMI	Visible in HMI	Comment
enum_ref	UInt		71	False	True	True	
index	UInt		27	False	True	True	
▼ enumreftab[7]	Struct			False	True	True	
enum_ref	UInt		85	False	True	True	
index	UInt		28	False	True	True	
▼ enumreftab[8]	Struct			False	True	True	
enum_ref	UInt		99	False	True	True	
index	UInt		29	False	True	True	
▼ enumreftab[9]	Struct			False	True	True	
enum_ref	UInt		113	False	True	True	
index	UInt		40	False	True	True	
▼ enumreftab[10]	Struct			False	True	True	
enum_ref	UInt		179	False	True	True	
index	UInt		41	False	True	True	
▼ enumreftab[11]	Struct			False	True	True	
enum_ref	UInt		245	False	True	True	
index	UInt		42	False	True	True	
▼ enumreftab[12]	Struct			False	True	True	
enum_ref	UInt		311	False	True	True	
index	UInt		43	False	True	True	
▼ enumtab	Array [1..324] of Byte	870.0		False	True	True	
enumtab[1]	Byte		0	False	True	True	
enumtab[2]	Byte		12	False	True	True	
enumtab[3]	Byte		32	False	True	True	
enumtab[4]	Byte		0	False	True	True	
enumtab[5]	Byte		0	False	True	True	
enumtab[6]	Byte		2	False	True	True	
enumtab[7]	Byte		0	False	True	True	
enumtab[8]	Byte		0	False	True	True	
enumtab[9]	Byte		0	False	True	True	
enumtab[10]	Byte		1	False	True	True	
enumtab[11]	Byte		0	False	True	True	
enumtab[12]	Byte		1	False	True	True	
enumtab[13]	Byte		0	False	True	True	
enumtab[14]	Byte		2	False	True	True	
enumtab[15]	Byte		0	False	True	True	
enumtab[16]	Byte		12	False	True	True	
enumtab[17]	Byte		32	False	True	True	
enumtab[18]	Byte		0	False	True	True	

B

C

D

E

F

Owner	Project name	Abastecimento de água V11 - 1212C - Final	Date	6/21/2012
Operator	Project Path	D:\Documents and Settings\Tiago\Desktop\Dissertação Mestrado V11\Abastecimento de água V11 - 1212C - Final		
Designed By	Description 1st			
Checked By	Description 2nd	Language	en-US	
Approved By	1st View	Version	Sheet 12 - 20	

1

2

3

4

A

Name	Data type	Offset	Start value	Retain	Accessible from HMI	Visible in HMI	Comment
enumtab[19]	Byte		0	False	True	True	
enumtab[20]	Byte		2	False	True	True	
enumtab[21]	Byte		0	False	True	True	
enumtab[22]	Byte		0	False	True	True	
enumtab[23]	Byte		0	False	True	True	
enumtab[24]	Byte		3	False	True	True	
enumtab[25]	Byte		0	False	True	True	
enumtab[26]	Byte		1	False	True	True	
enumtab[27]	Byte		0	False	True	True	
enumtab[28]	Byte		4	False	True	True	
enumtab[29]	Byte		0	False	True	True	
enumtab[30]	Byte		12	False	True	True	
enumtab[31]	Byte		32	False	True	True	
enumtab[32]	Byte		0	False	True	True	
enumtab[33]	Byte		0	False	True	True	
enumtab[34]	Byte		2	False	True	True	
enumtab[35]	Byte		0	False	True	True	
enumtab[36]	Byte		0	False	True	True	
enumtab[37]	Byte		0	False	True	True	
enumtab[38]	Byte		5	False	True	True	
enumtab[39]	Byte		0	False	True	True	
enumtab[40]	Byte		1	False	True	True	
enumtab[41]	Byte		0	False	True	True	
enumtab[42]	Byte		6	False	True	True	
enumtab[43]	Byte		0	False	True	True	
enumtab[44]	Byte		12	False	True	True	
enumtab[45]	Byte		32	False	True	True	
enumtab[46]	Byte		0	False	True	True	
enumtab[47]	Byte		0	False	True	True	
enumtab[48]	Byte		2	False	True	True	
enumtab[49]	Byte		0	False	True	True	
enumtab[50]	Byte		0	False	True	True	
enumtab[51]	Byte		0	False	True	True	
enumtab[52]	Byte		7	False	True	True	
enumtab[53]	Byte		0	False	True	True	
enumtab[54]	Byte		1	False	True	True	
enumtab[55]	Byte		0	False	True	True	
enumtab[56]	Byte		8	False	True	True	
enumtab[57]	Byte		0	False	True	True	
enumtab[58]	Byte		12	False	True	True	
enumtab[59]	Byte		32	False	True	True	
enumtab[60]	Byte		0	False	True	True	
enumtab[61]	Byte		0	False	True	True	
enumtab[62]	Byte		2	False	True	True	

C

D

E

F

Owner	Project name	Abastecimento de água V11 - 1212C - Final	Date	6/21/2012
Operator	Project Path	D:\Documents and Settings\Tiago\Desktop\Dissertação Mestrado V11\Abastecimento de água V11 - 1212C - Final		
Designed By	Description 1st	Location		
Checked By	Description 2nd	Language	en-US	
Approved By	1st View	Version	Sheet 12 - 21	

1

2

3

4

A

Name	Data type	Offset	Start value	Retain	Accessible from HMI	Visible in HMI	Comment
enumtab[63]	Byte		0	False	True	True	
enumtab[64]	Byte		0	False	True	True	
enumtab[65]	Byte		0	False	True	True	
enumtab[66]	Byte		9	False	True	True	
enumtab[67]	Byte		0	False	True	True	
enumtab[68]	Byte		1	False	True	True	
enumtab[69]	Byte		0	False	True	True	
enumtab[70]	Byte		10	False	True	True	
enumtab[71]	Byte		0	False	True	True	
enumtab[72]	Byte		12	False	True	True	
enumtab[73]	Byte		32	False	True	True	
enumtab[74]	Byte		0	False	True	True	
enumtab[75]	Byte		0	False	True	True	
enumtab[76]	Byte		2	False	True	True	
enumtab[77]	Byte		0	False	True	True	
enumtab[78]	Byte		0	False	True	True	
enumtab[79]	Byte		0	False	True	True	
enumtab[80]	Byte		11	False	True	True	
enumtab[81]	Byte		0	False	True	True	
enumtab[82]	Byte		1	False	True	True	
enumtab[83]	Byte		0	False	True	True	
enumtab[84]	Byte		12	False	True	True	
enumtab[85]	Byte		0	False	True	True	
enumtab[86]	Byte		12	False	True	True	
enumtab[87]	Byte		32	False	True	True	
enumtab[88]	Byte		0	False	True	True	
enumtab[89]	Byte		0	False	True	True	
enumtab[90]	Byte		2	False	True	True	
enumtab[91]	Byte		0	False	True	True	
enumtab[92]	Byte		0	False	True	True	
enumtab[93]	Byte		0	False	True	True	
enumtab[94]	Byte		13	False	True	True	
enumtab[95]	Byte		0	False	True	True	
enumtab[96]	Byte		1	False	True	True	
enumtab[97]	Byte		0	False	True	True	
enumtab[98]	Byte		14	False	True	True	
enumtab[99]	Byte		0	False	True	True	
enumtab[100]	Byte		12	False	True	True	
enumtab[101]	Byte		32	False	True	True	
enumtab[102]	Byte		0	False	True	True	
enumtab[103]	Byte		0	False	True	True	
enumtab[104]	Byte		2	False	True	True	
enumtab[105]	Byte		0	False	True	True	
enumtab[106]	Byte		0	False	True	True	

B

C

D

E

F

Owner	Project name	Abastecimento de água V11 - 1212C - Final	Date	6/21/2012
Operator	Project Path	D:\Documents and Settings\Tiago\Desktop\Dissertação Mestrado V11\Abastecimento de água V11 - 1212C - Final		
Designed By	Description 1st	Location		
Checked By	Description 2nd	Language	en-US	
Approved By	1st View	Version	Sheet 12 - 22	

1

2

3

4

A

Name	Data type	Offset	Start value	Retain	Accessible from HMI	Visible in HMI	Comment
enumtab[107]	Byte		0	False	True	True	
enumtab[108]	Byte		15	False	True	True	
enumtab[109]	Byte		0	False	True	True	
enumtab[110]	Byte		1	False	True	True	
enumtab[111]	Byte		0	False	True	True	
enumtab[112]	Byte		16	False	True	True	
enumtab[113]	Byte		0	False	True	True	
enumtab[114]	Byte		64	False	True	True	
enumtab[115]	Byte		32	False	True	True	
enumtab[116]	Byte		0	False	True	True	
enumtab[117]	Byte		0	False	True	True	
enumtab[118]	Byte		15	False	True	True	
enumtab[119]	Byte		0	False	True	True	
enumtab[120]	Byte		0	False	True	True	
enumtab[121]	Byte		0	False	True	True	
enumtab[122]	Byte		17	False	True	True	
enumtab[123]	Byte		0	False	True	True	
enumtab[124]	Byte		1	False	True	True	
enumtab[125]	Byte		0	False	True	True	
enumtab[126]	Byte		18	False	True	True	
enumtab[127]	Byte		0	False	True	True	
enumtab[128]	Byte		2	False	True	True	
enumtab[129]	Byte		0	False	True	True	
enumtab[130]	Byte		19	False	True	True	
enumtab[131]	Byte		0	False	True	True	
enumtab[132]	Byte		3	False	True	True	
enumtab[133]	Byte		0	False	True	True	
enumtab[134]	Byte		20	False	True	True	
enumtab[135]	Byte		0	False	True	True	
enumtab[136]	Byte		4	False	True	True	
enumtab[137]	Byte		0	False	True	True	
enumtab[138]	Byte		21	False	True	True	
enumtab[139]	Byte		0	False	True	True	
enumtab[140]	Byte		5	False	True	True	
enumtab[141]	Byte		0	False	True	True	
enumtab[142]	Byte		22	False	True	True	
enumtab[143]	Byte		0	False	True	True	
enumtab[144]	Byte		6	False	True	True	
enumtab[145]	Byte		0	False	True	True	
enumtab[146]	Byte		23	False	True	True	
enumtab[147]	Byte		0	False	True	True	
enumtab[148]	Byte		7	False	True	True	
enumtab[149]	Byte		0	False	True	True	
enumtab[150]	Byte		24	False	True	True	

B

C

D

E

F

Owner

Project name Abastecimento de água V11 - 1212C - Final

Date 6/21/2012

Operator

Project Path
D:\Documents and Settings\Tiago\Desktop\Dissertação Mestrado
V11\Abastecimento de água V11 - 1212C - Final

Location

Designed By

Description 1st

Checked By

Description 2nd

Language en-US

Approved By

1st View

Version

Sheet 12 - 23

1

2

3

4

A

Name	Data type	Offset	Start value	Retain	Accessible from HMI	Visible in HMI	Comment
enumtab[151]	Byte		0	False	True	True	
enumtab[152]	Byte		8	False	True	True	
enumtab[153]	Byte		0	False	True	True	
enumtab[154]	Byte		25	False	True	True	
enumtab[155]	Byte		0	False	True	True	
enumtab[156]	Byte		9	False	True	True	
enumtab[157]	Byte		0	False	True	True	
enumtab[158]	Byte		26	False	True	True	
enumtab[159]	Byte		0	False	True	True	
enumtab[160]	Byte		10	False	True	True	
enumtab[161]	Byte		0	False	True	True	
enumtab[162]	Byte		27	False	True	True	
enumtab[163]	Byte		0	False	True	True	
enumtab[164]	Byte		11	False	True	True	
enumtab[165]	Byte		0	False	True	True	
enumtab[166]	Byte		28	False	True	True	
enumtab[167]	Byte		0	False	True	True	
enumtab[168]	Byte		12	False	True	True	
enumtab[169]	Byte		0	False	True	True	
enumtab[170]	Byte		29	False	True	True	
enumtab[171]	Byte		0	False	True	True	
enumtab[172]	Byte		13	False	True	True	
enumtab[173]	Byte		0	False	True	True	
enumtab[174]	Byte		30	False	True	True	
enumtab[175]	Byte		0	False	True	True	
enumtab[176]	Byte		14	False	True	True	
enumtab[177]	Byte		0	False	True	True	
enumtab[178]	Byte		31	False	True	True	
enumtab[179]	Byte		0	False	True	True	
enumtab[180]	Byte		64	False	True	True	
enumtab[181]	Byte		32	False	True	True	
enumtab[182]	Byte		0	False	True	True	
enumtab[183]	Byte		0	False	True	True	
enumtab[184]	Byte		15	False	True	True	
enumtab[185]	Byte		0	False	True	True	
enumtab[186]	Byte		0	False	True	True	
enumtab[187]	Byte		0	False	True	True	
enumtab[188]	Byte		32	False	True	True	
enumtab[189]	Byte		0	False	True	True	
enumtab[190]	Byte		1	False	True	True	
enumtab[191]	Byte		0	False	True	True	
enumtab[192]	Byte		33	False	True	True	
enumtab[193]	Byte		0	False	True	True	
enumtab[194]	Byte		2	False	True	True	

B

C

D

E

F

Owner	Project name	Abastecimento de água V11 - 1212C - Final	Date	6/21/2012
Operator	Project Path	D:\Documents and Settings\Tiago\Desktop\Dissertação Mestrado V11\Abastecimento de água V11 - 1212C - Final		
Designed By	Description 1st			
Checked By	Description 2nd	Language	en-US	
Approved By	1st View	Version	Sheet 12 - 24	

1

2

3

4

A

Name	Data type	Offset	Start value	Retain	Accessible from HMI	Visible in HMI	Comment
enumtab[195]	Byte		0	False	True	True	
enumtab[196]	Byte		34	False	True	True	
enumtab[197]	Byte		0	False	True	True	
enumtab[198]	Byte		3	False	True	True	
enumtab[199]	Byte		0	False	True	True	
enumtab[200]	Byte		35	False	True	True	
enumtab[201]	Byte		0	False	True	True	
enumtab[202]	Byte		4	False	True	True	
enumtab[203]	Byte		0	False	True	True	
enumtab[204]	Byte		36	False	True	True	
enumtab[205]	Byte		0	False	True	True	
enumtab[206]	Byte		5	False	True	True	
enumtab[207]	Byte		0	False	True	True	
enumtab[208]	Byte		37	False	True	True	
enumtab[209]	Byte		0	False	True	True	
enumtab[210]	Byte		6	False	True	True	
enumtab[211]	Byte		0	False	True	True	
enumtab[212]	Byte		38	False	True	True	
enumtab[213]	Byte		0	False	True	True	
enumtab[214]	Byte		7	False	True	True	
enumtab[215]	Byte		0	False	True	True	
enumtab[216]	Byte		39	False	True	True	
enumtab[217]	Byte		0	False	True	True	
enumtab[218]	Byte		8	False	True	True	
enumtab[219]	Byte		0	False	True	True	
enumtab[220]	Byte		40	False	True	True	
enumtab[221]	Byte		0	False	True	True	
enumtab[222]	Byte		9	False	True	True	
enumtab[223]	Byte		0	False	True	True	
enumtab[224]	Byte		41	False	True	True	
enumtab[225]	Byte		0	False	True	True	
enumtab[226]	Byte		10	False	True	True	
enumtab[227]	Byte		0	False	True	True	
enumtab[228]	Byte		42	False	True	True	
enumtab[229]	Byte		0	False	True	True	
enumtab[230]	Byte		11	False	True	True	
enumtab[231]	Byte		0	False	True	True	
enumtab[232]	Byte		43	False	True	True	
enumtab[233]	Byte		0	False	True	True	
enumtab[234]	Byte		12	False	True	True	
enumtab[235]	Byte		0	False	True	True	
enumtab[236]	Byte		44	False	True	True	
enumtab[237]	Byte		0	False	True	True	
enumtab[238]	Byte		13	False	True	True	

B

C

D

E

F

Owner

Project name Abastecimento de água V11 - 1212C - Final

Date 6/21/2012

Operator

Project Path
D:\Documents and Settings\Tiago\Desktop\Dissertação Mestrado
V11\Abastecimento de água V11 - 1212C - Final

Location

Designed By

Description 1st

Checked By

Description 2nd

Language en-US

Approved By

1st View

Version

Sheet 12 - 25

1

2

3

4

A

Name	Data type	Offset	Start value	Retain	Accessible from HMI	Visible in HMI	Comment
enumtab[239]	Byte		0	False	True	True	
enumtab[240]	Byte		45	False	True	True	
enumtab[241]	Byte		0	False	True	True	
enumtab[242]	Byte		14	False	True	True	
enumtab[243]	Byte		0	False	True	True	
enumtab[244]	Byte		46	False	True	True	
enumtab[245]	Byte		0	False	True	True	
enumtab[246]	Byte		64	False	True	True	
enumtab[247]	Byte		32	False	True	True	
enumtab[248]	Byte		0	False	True	True	
enumtab[249]	Byte		0	False	True	True	
enumtab[250]	Byte		15	False	True	True	
enumtab[251]	Byte		0	False	True	True	
enumtab[252]	Byte		0	False	True	True	
enumtab[253]	Byte		0	False	True	True	
enumtab[254]	Byte		47	False	True	True	
enumtab[255]	Byte		0	False	True	True	
enumtab[256]	Byte		1	False	True	True	
enumtab[257]	Byte		0	False	True	True	
enumtab[258]	Byte		48	False	True	True	
enumtab[259]	Byte		0	False	True	True	
enumtab[260]	Byte		2	False	True	True	
enumtab[261]	Byte		0	False	True	True	
enumtab[262]	Byte		49	False	True	True	
enumtab[263]	Byte		0	False	True	True	
enumtab[264]	Byte		3	False	True	True	
enumtab[265]	Byte		0	False	True	True	
enumtab[266]	Byte		50	False	True	True	
enumtab[267]	Byte		0	False	True	True	
enumtab[268]	Byte		4	False	True	True	
enumtab[269]	Byte		0	False	True	True	
enumtab[270]	Byte		51	False	True	True	
enumtab[271]	Byte		0	False	True	True	
enumtab[272]	Byte		5	False	True	True	
enumtab[273]	Byte		0	False	True	True	
enumtab[274]	Byte		52	False	True	True	
enumtab[275]	Byte		0	False	True	True	
enumtab[276]	Byte		6	False	True	True	
enumtab[277]	Byte		0	False	True	True	
enumtab[278]	Byte		53	False	True	True	
enumtab[279]	Byte		0	False	True	True	
enumtab[280]	Byte		7	False	True	True	
enumtab[281]	Byte		0	False	True	True	
enumtab[282]	Byte		54	False	True	True	

B

C

D

E

F

Owner	Project name	Abastecimento de água V11 - 1212C - Final	Date	6/21/2012
Operator	Project Path	D:\Documents and Settings\Tiago\Desktop\Dissertação Mestrado V11\Abastecimento de água V11 - 1212C - Final		
Designed By	Description 1st	Location		
Checked By	Description 2nd	Language	en-US	
Approved By	1st View	Version	Sheet 12 - 26	

1

2

3

4

A

Name	Data type	Offset	Start value	Retain	Accessible from HMI	Visible in HMI	Comment
enumtab[283]	Byte		0	False	True	True	
enumtab[284]	Byte		8	False	True	True	
enumtab[285]	Byte		0	False	True	True	
enumtab[286]	Byte		55	False	True	True	
enumtab[287]	Byte		0	False	True	True	
enumtab[288]	Byte		9	False	True	True	
enumtab[289]	Byte		0	False	True	True	
enumtab[290]	Byte		56	False	True	True	
enumtab[291]	Byte		0	False	True	True	
enumtab[292]	Byte		10	False	True	True	
enumtab[293]	Byte		0	False	True	True	
enumtab[294]	Byte		57	False	True	True	
enumtab[295]	Byte		0	False	True	True	
enumtab[296]	Byte		11	False	True	True	
enumtab[297]	Byte		0	False	True	True	
enumtab[298]	Byte		58	False	True	True	
enumtab[299]	Byte		0	False	True	True	
enumtab[300]	Byte		12	False	True	True	
enumtab[301]	Byte		0	False	True	True	
enumtab[302]	Byte		59	False	True	True	
enumtab[303]	Byte		0	False	True	True	
enumtab[304]	Byte		13	False	True	True	
enumtab[305]	Byte		0	False	True	True	
enumtab[306]	Byte		60	False	True	True	
enumtab[307]	Byte		0	False	True	True	
enumtab[308]	Byte		14	False	True	True	
enumtab[309]	Byte		0	False	True	True	
enumtab[310]	Byte		61	False	True	True	
enumtab[311]	Byte		0	False	True	True	
enumtab[312]	Byte		12	False	True	True	
enumtab[313]	Byte		32	False	True	True	
enumtab[314]	Byte		0	False	True	True	
enumtab[315]	Byte		0	False	True	True	
enumtab[316]	Byte		2	False	True	True	
enumtab[317]	Byte		0	False	True	True	
enumtab[318]	Byte		0	False	True	True	
enumtab[319]	Byte		0	False	True	True	
enumtab[320]	Byte		62	False	True	True	
enumtab[321]	Byte		0	False	True	True	
enumtab[322]	Byte		1	False	True	True	
enumtab[323]	Byte		0	False	True	True	
enumtab[324]	Byte		63	False	True	True	
▼ textlist	Array [1..2790] of Byte	1194.0		False	True	True	

B

C

D

E

F

Owner	Project name	Abastecimento de água V11 - 1212C - Final	Date	6/21/2012
Operator	Project Path	D:\Documents and Settings\Tiago\Desktop\Dissertação Mestrado V11\Abastecimento de água V11 - 1212C - Final		
Designed By	Description 1st			
Checked By	Description 2nd	Language	en-US	
Approved By	1st View	Version	Sheet 12 - 27	

1

2

3

4

A

Name	Data type	Offset	Start value	Retain	Access- ible from HMI	Visible in HMI	Comment
textlist[1]	Byte		72	False	True	True	
textlist[2]	Byte		111	False	True	True	
textlist[3]	Byte		109	False	True	True	
textlist[4]	Byte		101	False	True	True	
textlist[5]	Byte		0	False	True	True	
textlist[6]	Byte		86	False	True	True	
textlist[7]	Byte		105	False	True	True	
textlist[8]	Byte		115	False	True	True	
textlist[9]	Byte		117	False	True	True	
textlist[10]	Byte		97	False	True	True	
textlist[11]	Byte		108	False	True	True	
textlist[12]	Byte		105	False	True	True	
textlist[13]	Byte		122	False	True	True	
textlist[14]	Byte		97	False	True	True	
textlist[15]	Byte		99	False	True	True	
textlist[16]	Byte		97	False	True	True	
textlist[17]	Byte		111	False	True	True	
textlist[18]	Byte		46	False	True	True	
textlist[19]	Byte		104	False	True	True	
textlist[20]	Byte		116	False	True	True	
textlist[21]	Byte		109	False	True	True	
textlist[22]	Byte		0	False	True	True	
textlist[23]	Byte		0	False	True	True	
textlist[24]	Byte		67	False	True	True	
textlist[25]	Byte		105	False	True	True	
textlist[26]	Byte		114	False	True	True	
textlist[27]	Byte		99	False	True	True	
textlist[28]	Byte		117	False	True	True	
textlist[29]	Byte		105	False	True	True	
textlist[30]	Byte		116	False	True	True	
textlist[31]	Byte		111	False	True	True	
textlist[32]	Byte		115	False	True	True	
textlist[33]	Byte		46	False	True	True	
textlist[34]	Byte		104	False	True	True	
textlist[35]	Byte		116	False	True	True	
textlist[36]	Byte		109	False	True	True	
textlist[37]	Byte		0	False	True	True	
textlist[38]	Byte		116	False	True	True	
textlist[39]	Byte		101	False	True	True	
textlist[40]	Byte		120	False	True	True	
textlist[41]	Byte		116	False	True	True	
textlist[42]	Byte		47	False	True	True	
textlist[43]	Byte		104	False	True	True	
textlist[44]	Byte		116	False	True	True	

B

C

D

E

F

Owner	Project name	Abastecimento de água V11 - 1212C - Final	Date	6/21/2012
Operator	Project Path	D:\Documents and Settings\Tiago\Desktop\Dissertação Mestrado V11\Abastecimento de água V11 - 1212C - Final		
Designed By	Description 1st	Location		
Checked By	Description 2nd	Language	en-US	
Approved By	1st View	Version	Sheet 12 - 28	

1

2

3

4

A

Name	Data type	Offset	Start value	Retain	Access- ible from HMI	Visible in HMI	Comment
textlist[45]	Byte		109	False	True	True	
textlist[46]	Byte		108	False	True	True	
textlist[47]	Byte		0	False	True	True	
textlist[48]	Byte		72	False	True	True	
textlist[49]	Byte		111	False	True	True	
textlist[50]	Byte		114	False	True	True	
textlist[51]	Byte		97	False	True	True	
textlist[52]	Byte		114	False	True	True	
textlist[53]	Byte		105	False	True	True	
textlist[54]	Byte		111	False	True	True	
textlist[55]	Byte		46	False	True	True	
textlist[56]	Byte		104	False	True	True	
textlist[57]	Byte		116	False	True	True	
textlist[58]	Byte		109	False	True	True	
textlist[59]	Byte		0	False	True	True	
textlist[60]	Byte		116	False	True	True	
textlist[61]	Byte		101	False	True	True	
textlist[62]	Byte		120	False	True	True	
textlist[63]	Byte		116	False	True	True	
textlist[64]	Byte		47	False	True	True	
textlist[65]	Byte		104	False	True	True	
textlist[66]	Byte		116	False	True	True	
textlist[67]	Byte		109	False	True	True	
textlist[68]	Byte		108	False	True	True	
textlist[69]	Byte		0	False	True	True	
textlist[70]	Byte		73	False	True	True	
textlist[71]	Byte		109	False	True	True	
textlist[72]	Byte		97	False	True	True	
textlist[73]	Byte		103	False	True	True	
textlist[74]	Byte		101	False	True	True	
textlist[75]	Byte		115	False	True	True	
textlist[76]	Byte		47	False	True	True	
textlist[77]	Byte		98	False	True	True	
textlist[78]	Byte		108	False	True	True	
textlist[79]	Byte		117	False	True	True	
textlist[80]	Byte		101	False	True	True	
textlist[81]	Byte		46	False	True	True	
textlist[82]	Byte		112	False	True	True	
textlist[83]	Byte		110	False	True	True	
textlist[84]	Byte		103	False	True	True	
textlist[85]	Byte		0	False	True	True	
textlist[86]	Byte		105	False	True	True	
textlist[87]	Byte		109	False	True	True	
textlist[88]	Byte		97	False	True	True	

B

C

D

E

F

Owner	Project name	Abastecimento de água V11 - 1212C - Final	Date	6/21/2012
Operator	Project Path	D:\Documents and Settings\Tiago\Desktop\Dissertação Mestrado V11\Abastecimento de água V11 - 1212C - Final		
Designed By	Description 1st	Location		
Checked By	Description 2nd	Language	en-US	
Approved By	1st View	Version	Sheet 12 - 29	

1

2

3

4

A

Name	Data type	Offset	Start value	Retain	Access- ible from HMI	Visible in HMI	Comment
textlist[89]	Byte		103	False	True	True	
textlist[90]	Byte		101	False	True	True	
textlist[91]	Byte		47	False	True	True	
textlist[92]	Byte		112	False	True	True	
textlist[93]	Byte		110	False	True	True	
textlist[94]	Byte		103	False	True	True	
textlist[95]	Byte		0	False	True	True	
textlist[96]	Byte		73	False	True	True	
textlist[97]	Byte		109	False	True	True	
textlist[98]	Byte		97	False	True	True	
textlist[99]	Byte		103	False	True	True	
textlist[100]	Byte		101	False	True	True	
textlist[101]	Byte		115	False	True	True	
textlist[102]	Byte		47	False	True	True	
textlist[103]	Byte		83	False	True	True	
textlist[104]	Byte		116	False	True	True	
textlist[105]	Byte		97	False	True	True	
textlist[106]	Byte		116	False	True	True	
textlist[107]	Byte		117	False	True	True	
textlist[108]	Byte		115	False	True	True	
textlist[109]	Byte		48	False	True	True	
textlist[110]	Byte		48	False	True	True	
textlist[111]	Byte		46	False	True	True	
textlist[112]	Byte		112	False	True	True	
textlist[113]	Byte		110	False	True	True	
textlist[114]	Byte		103	False	True	True	
textlist[115]	Byte		0	False	True	True	
textlist[116]	Byte		105	False	True	True	
textlist[117]	Byte		109	False	True	True	
textlist[118]	Byte		97	False	True	True	
textlist[119]	Byte		103	False	True	True	
textlist[120]	Byte		101	False	True	True	
textlist[121]	Byte		47	False	True	True	
textlist[122]	Byte		112	False	True	True	
textlist[123]	Byte		110	False	True	True	
textlist[124]	Byte		103	False	True	True	
textlist[125]	Byte		0	False	True	True	
textlist[126]	Byte		73	False	True	True	
textlist[127]	Byte		109	False	True	True	
textlist[128]	Byte		97	False	True	True	
textlist[129]	Byte		103	False	True	True	
textlist[130]	Byte		101	False	True	True	
textlist[131]	Byte		115	False	True	True	
textlist[132]	Byte		47	False	True	True	

B

C

D

E

F

Owner

Project name Abastecimento de água V11 - 1212C - Final

Date 6/21/2012

Operator

Project Path
D:\Documents and Settings\Tiago\Desktop\Dissertação Mestrado
V11\Abastecimento de água V11 - 1212C - Final

Location

Designed By

Description 1st

Checked By

Description 2nd

Language en-US

Approved By

1st View

Version

Sheet 12 - 30

1

2

3

4

A

Name	Data type	Offset	Start value	Retain	Accessible from HMI	Visible in HMI	Comment
textlist[133]	Byte		83	False	True	True	
textlist[134]	Byte		116	False	True	True	
textlist[135]	Byte		97	False	True	True	
textlist[136]	Byte		116	False	True	True	
textlist[137]	Byte		117	False	True	True	
textlist[138]	Byte		115	False	True	True	
textlist[139]	Byte		48	False	True	True	
textlist[140]	Byte		49	False	True	True	
textlist[141]	Byte		46	False	True	True	
textlist[142]	Byte		112	False	True	True	
textlist[143]	Byte		110	False	True	True	
textlist[144]	Byte		103	False	True	True	
textlist[145]	Byte		0	False	True	True	
textlist[146]	Byte		105	False	True	True	
textlist[147]	Byte		109	False	True	True	
textlist[148]	Byte		97	False	True	True	
textlist[149]	Byte		103	False	True	True	
textlist[150]	Byte		101	False	True	True	
textlist[151]	Byte		47	False	True	True	
textlist[152]	Byte		112	False	True	True	
textlist[153]	Byte		110	False	True	True	
textlist[154]	Byte		103	False	True	True	
textlist[155]	Byte		0	False	True	True	
textlist[156]	Byte		73	False	True	True	
textlist[157]	Byte		109	False	True	True	
textlist[158]	Byte		97	False	True	True	
textlist[159]	Byte		103	False	True	True	
textlist[160]	Byte		101	False	True	True	
textlist[161]	Byte		115	False	True	True	
textlist[162]	Byte		47	False	True	True	
textlist[163]	Byte		84	False	True	True	
textlist[164]	Byte		97	False	True	True	
textlist[165]	Byte		110	False	True	True	
textlist[166]	Byte		107	False	True	True	
textlist[167]	Byte		69	False	True	True	
textlist[168]	Byte		120	False	True	True	
textlist[169]	Byte		97	False	True	True	
textlist[170]	Byte		109	False	True	True	
textlist[171]	Byte		112	False	True	True	
textlist[172]	Byte		108	False	True	True	
textlist[173]	Byte		101	False	True	True	
textlist[174]	Byte		46	False	True	True	
textlist[175]	Byte		80	False	True	True	
textlist[176]	Byte		78	False	True	True	

B

C

D

E

F

Owner	Project name	Abastecimento de água V11 - 1212C - Final	Date	6/21/2012
Operator	Project Path	D:\Documents and Settings\Tiago\Desktop\Dissertação Mestrado V11\Abastecimento de água V11 - 1212C - Final		
Designed By	Description 1st	Location		
Checked By	Description 2nd	Language	en-US	
Approved By	1st View	Version	Sheet 12 - 31	

1

2

3

4

A

Name	Data type	Offset	Start value	Retain	Accessible from HMI	Visible in HMI	Comment
textlist[177]	Byte		71	False	True	True	
textlist[178]	Byte		0	False	True	True	
textlist[179]	Byte		97	False	True	True	
textlist[180]	Byte		112	False	True	True	
textlist[181]	Byte		112	False	True	True	
textlist[182]	Byte		108	False	True	True	
textlist[183]	Byte		105	False	True	True	
textlist[184]	Byte		99	False	True	True	
textlist[185]	Byte		97	False	True	True	
textlist[186]	Byte		116	False	True	True	
textlist[187]	Byte		105	False	True	True	
textlist[188]	Byte		111	False	True	True	
textlist[189]	Byte		110	False	True	True	
textlist[190]	Byte		47	False	True	True	
textlist[191]	Byte		111	False	True	True	
textlist[192]	Byte		99	False	True	True	
textlist[193]	Byte		116	False	True	True	
textlist[194]	Byte		101	False	True	True	
textlist[195]	Byte		116	False	True	True	
textlist[196]	Byte		45	False	True	True	
textlist[197]	Byte		115	False	True	True	
textlist[198]	Byte		116	False	True	True	
textlist[199]	Byte		114	False	True	True	
textlist[200]	Byte		101	False	True	True	
textlist[201]	Byte		97	False	True	True	
textlist[202]	Byte		109	False	True	True	
textlist[203]	Byte		0	False	True	True	
textlist[204]	Byte		73	False	True	True	
textlist[205]	Byte		109	False	True	True	
textlist[206]	Byte		97	False	True	True	
textlist[207]	Byte		103	False	True	True	
textlist[208]	Byte		101	False	True	True	
textlist[209]	Byte		115	False	True	True	
textlist[210]	Byte		47	False	True	True	
textlist[211]	Byte		84	False	True	True	
textlist[212]	Byte		104	False	True	True	
textlist[213]	Byte		117	False	True	True	
textlist[214]	Byte		109	False	True	True	
textlist[215]	Byte		98	False	True	True	
textlist[216]	Byte		115	False	True	True	
textlist[217]	Byte		46	False	True	True	
textlist[218]	Byte		100	False	True	True	
textlist[219]	Byte		98	False	True	True	
textlist[220]	Byte		0	False	True	True	

B

C

D

E

F

Owner	Project name	Abastecimento de água V11 - 1212C - Final	Date	6/21/2012
Operator	Project Path	D:\Documents and Settings\Tiago\Desktop\Dissertação Mestrado V11\Abastecimento de água V11 - 1212C - Final		
Designed By	Description 1st	Location		
Checked By	Description 2nd	Language	en-US	
Approved By	1st View	Version	Sheet 12 - 32	

1

2

3

4

A

Name	Data type	Offset	Start value	Retain	Accessible from HMI	Visible in HMI	Comment
textlist[221]	Byte		97	False	True	True	
textlist[222]	Byte		112	False	True	True	
textlist[223]	Byte		112	False	True	True	
textlist[224]	Byte		108	False	True	True	
textlist[225]	Byte		105	False	True	True	
textlist[226]	Byte		99	False	True	True	
textlist[227]	Byte		97	False	True	True	
textlist[228]	Byte		116	False	True	True	
textlist[229]	Byte		105	False	True	True	
textlist[230]	Byte		111	False	True	True	
textlist[231]	Byte		110	False	True	True	
textlist[232]	Byte		47	False	True	True	
textlist[233]	Byte		111	False	True	True	
textlist[234]	Byte		99	False	True	True	
textlist[235]	Byte		116	False	True	True	
textlist[236]	Byte		101	False	True	True	
textlist[237]	Byte		116	False	True	True	
textlist[238]	Byte		45	False	True	True	
textlist[239]	Byte		115	False	True	True	
textlist[240]	Byte		116	False	True	True	
textlist[241]	Byte		114	False	True	True	
textlist[242]	Byte		101	False	True	True	
textlist[243]	Byte		97	False	True	True	
textlist[244]	Byte		109	False	True	True	
textlist[245]	Byte		0	False	True	True	
textlist[246]	Byte		73	False	True	True	
textlist[247]	Byte		109	False	True	True	
textlist[248]	Byte		97	False	True	True	
textlist[249]	Byte		103	False	True	True	
textlist[250]	Byte		101	False	True	True	
textlist[251]	Byte		115	False	True	True	
textlist[252]	Byte		47	False	True	True	
textlist[253]	Byte		86	False	True	True	
textlist[254]	Byte		97	False	True	True	
textlist[255]	Byte		108	False	True	True	
textlist[256]	Byte		118	False	True	True	
textlist[257]	Byte		101	False	True	True	
textlist[258]	Byte		48	False	True	True	
textlist[259]	Byte		46	False	True	True	
textlist[260]	Byte		112	False	True	True	
textlist[261]	Byte		110	False	True	True	
textlist[262]	Byte		103	False	True	True	
textlist[263]	Byte		0	False	True	True	
textlist[264]	Byte		105	False	True	True	

B

C

D

E

F

Owner	Project name	Abastecimento de água V11 - 1212C - Final	Date	6/21/2012
Operator	Project Path	D:\Documents and Settings\Tiago\Desktop\Dissertação Mestrado V11\Abastecimento de água V11 - 1212C - Final		
Designed By	Description 1st	Location		
Checked By	Description 2nd	Language	en-US	
Approved By	1st View	Version	Sheet 12 - 33	

1

2

3

4

A

Name	Data type	Offset	Start value	Retain	Accessible from HMI	Visible in HMI	Comment
textlist[265]	Byte		109	False	True	True	
textlist[266]	Byte		97	False	True	True	
textlist[267]	Byte		103	False	True	True	
textlist[268]	Byte		101	False	True	True	
textlist[269]	Byte		47	False	True	True	
textlist[270]	Byte		112	False	True	True	
textlist[271]	Byte		110	False	True	True	
textlist[272]	Byte		103	False	True	True	
textlist[273]	Byte		0	False	True	True	
textlist[274]	Byte		73	False	True	True	
textlist[275]	Byte		109	False	True	True	
textlist[276]	Byte		97	False	True	True	
textlist[277]	Byte		103	False	True	True	
textlist[278]	Byte		101	False	True	True	
textlist[279]	Byte		115	False	True	True	
textlist[280]	Byte		47	False	True	True	
textlist[281]	Byte		86	False	True	True	
textlist[282]	Byte		97	False	True	True	
textlist[283]	Byte		108	False	True	True	
textlist[284]	Byte		118	False	True	True	
textlist[285]	Byte		101	False	True	True	
textlist[286]	Byte		49	False	True	True	
textlist[287]	Byte		46	False	True	True	
textlist[288]	Byte		112	False	True	True	
textlist[289]	Byte		110	False	True	True	
textlist[290]	Byte		103	False	True	True	
textlist[291]	Byte		0	False	True	True	
textlist[292]	Byte		105	False	True	True	
textlist[293]	Byte		109	False	True	True	
textlist[294]	Byte		97	False	True	True	
textlist[295]	Byte		103	False	True	True	
textlist[296]	Byte		101	False	True	True	
textlist[297]	Byte		47	False	True	True	
textlist[298]	Byte		112	False	True	True	
textlist[299]	Byte		110	False	True	True	
textlist[300]	Byte		103	False	True	True	
textlist[301]	Byte		0	False	True	True	
textlist[302]	Byte		77	False	True	True	
textlist[303]	Byte		97	False	True	True	
textlist[304]	Byte		110	False	True	True	
textlist[305]	Byte		117	False	True	True	
textlist[306]	Byte		97	False	True	True	
textlist[307]	Byte		108	False	True	True	
textlist[308]	Byte		46	False	True	True	

B

C

D

E

F

Owner

Project name Abastecimento de água V11 - 1212C - Final

Date 6/21/2012

Operator

Project Path
D:\Documents and Settings\Tiago\Desktop\Dissertação Mestrado
V11\Abastecimento de água V11 - 1212C - Final

Location

Designed By

Description 1st

Checked By

Description 2nd

Language en-US

Approved By

1st View

Version

Sheet 12 - 34

1

2

3

4

A

Name	Data type	Offset	Start value	Retain	Accessible from HMI	Visible in HMI	Comment
textlist[309]	Byte		104	False	True	True	
textlist[310]	Byte		116	False	True	True	
textlist[311]	Byte		109	False	True	True	
textlist[312]	Byte		0	False	True	True	
textlist[313]	Byte		116	False	True	True	
textlist[314]	Byte		101	False	True	True	
textlist[315]	Byte		120	False	True	True	
textlist[316]	Byte		116	False	True	True	
textlist[317]	Byte		47	False	True	True	
textlist[318]	Byte		104	False	True	True	
textlist[319]	Byte		116	False	True	True	
textlist[320]	Byte		109	False	True	True	
textlist[321]	Byte		108	False	True	True	
textlist[322]	Byte		0	False	True	True	
textlist[323]	Byte		77	False	True	True	
textlist[324]	Byte		97	False	True	True	
textlist[325]	Byte		110	False	True	True	
textlist[326]	Byte		117	False	True	True	
textlist[327]	Byte		116	False	True	True	
textlist[328]	Byte		101	False	True	True	
textlist[329]	Byte		110	False	True	True	
textlist[330]	Byte		99	False	True	True	
textlist[331]	Byte		97	False	True	True	
textlist[332]	Byte		111	False	True	True	
textlist[333]	Byte		46	False	True	True	
textlist[334]	Byte		104	False	True	True	
textlist[335]	Byte		116	False	True	True	
textlist[336]	Byte		109	False	True	True	
textlist[337]	Byte		0	False	True	True	
textlist[338]	Byte		116	False	True	True	
textlist[339]	Byte		101	False	True	True	
textlist[340]	Byte		120	False	True	True	
textlist[341]	Byte		116	False	True	True	
textlist[342]	Byte		47	False	True	True	
textlist[343]	Byte		104	False	True	True	
textlist[344]	Byte		116	False	True	True	
textlist[345]	Byte		109	False	True	True	
textlist[346]	Byte		108	False	True	True	
textlist[347]	Byte		0	False	True	True	
textlist[348]	Byte		79	False	True	True	
textlist[349]	Byte		114	False	True	True	
textlist[350]	Byte		105	False	True	True	
textlist[351]	Byte		103	False	True	True	
textlist[352]	Byte		101	False	True	True	

B

C

D

E

F

Owner	Project name	Abastecimento de água V11 - 1212C - Final	Date	6/21/2012
Operator	Project Path	D:\Documents and Settings\Tiago\Desktop\Dissertação Mestrado V11\Abastecimento de água V11 - 1212C - Final		
Designed By	Description 1st	Location		
Checked By	Description 2nd	Language	en-US	
Approved By	1st View	Version	Sheet 12 - 35	

1

2

3

4

A

Name	Data type	Offset	Start value	Retain	Accessible from HMI	Visible in HMI	Comment
textlist[353]	Byte		109	False	True	True	
textlist[354]	Byte		46	False	True	True	
textlist[355]	Byte		104	False	True	True	
textlist[356]	Byte		116	False	True	True	
textlist[357]	Byte		109	False	True	True	
textlist[358]	Byte		0	False	True	True	
textlist[359]	Byte		116	False	True	True	
textlist[360]	Byte		101	False	True	True	
textlist[361]	Byte		120	False	True	True	
textlist[362]	Byte		116	False	True	True	
textlist[363]	Byte		47	False	True	True	
textlist[364]	Byte		104	False	True	True	
textlist[365]	Byte		116	False	True	True	
textlist[366]	Byte		109	False	True	True	
textlist[367]	Byte		108	False	True	True	
textlist[368]	Byte		0	False	True	True	
textlist[369]	Byte		80	False	True	True	
textlist[370]	Byte		104	False	True	True	
textlist[371]	Byte		46	False	True	True	
textlist[372]	Byte		104	False	True	True	
textlist[373]	Byte		116	False	True	True	
textlist[374]	Byte		109	False	True	True	
textlist[375]	Byte		0	False	True	True	
textlist[376]	Byte		116	False	True	True	
textlist[377]	Byte		101	False	True	True	
textlist[378]	Byte		120	False	True	True	
textlist[379]	Byte		116	False	True	True	
textlist[380]	Byte		47	False	True	True	
textlist[381]	Byte		104	False	True	True	
textlist[382]	Byte		116	False	True	True	
textlist[383]	Byte		109	False	True	True	
textlist[384]	Byte		108	False	True	True	
textlist[385]	Byte		0	False	True	True	
textlist[386]	Byte		81	False	True	True	
textlist[387]	Byte		117	False	True	True	
textlist[388]	Byte		97	False	True	True	
textlist[389]	Byte		110	False	True	True	
textlist[390]	Byte		116	False	True	True	
textlist[391]	Byte		105	False	True	True	
textlist[392]	Byte		100	False	True	True	
textlist[393]	Byte		97	False	True	True	
textlist[394]	Byte		100	False	True	True	
textlist[395]	Byte		101	False	True	True	
textlist[396]	Byte		115	False	True	True	

B

C

D

E

F

Owner	Project name	Abastecimento de água V11 - 1212C - Final	Date	6/21/2012
Operator	Project Path	D:\Documents and Settings\Tiago\Desktop\Dissertação Mestrado V11\Abastecimento de água V11 - 1212C - Final		
Designed By	Description 1st	Location		
Checked By	Description 2nd	Language	en-US	
Approved By	1st View	Version	Sheet 12 - 36	

1

2

3

4

A

Name	Data type	Offset	Start value	Retain	Accessible from HMI	Visible in HMI	Comment
textlist[397]	Byte		46	False	True	True	
textlist[398]	Byte		104	False	True	True	
textlist[399]	Byte		116	False	True	True	
textlist[400]	Byte		109	False	True	True	
textlist[401]	Byte		0	False	True	True	
textlist[402]	Byte		116	False	True	True	
textlist[403]	Byte		101	False	True	True	
textlist[404]	Byte		120	False	True	True	
textlist[405]	Byte		116	False	True	True	
textlist[406]	Byte		47	False	True	True	
textlist[407]	Byte		104	False	True	True	
textlist[408]	Byte		116	False	True	True	
textlist[409]	Byte		109	False	True	True	
textlist[410]	Byte		108	False	True	True	
textlist[411]	Byte		0	False	True	True	
textlist[412]	Byte		83	False	True	True	
textlist[413]	Byte		116	False	True	True	
textlist[414]	Byte		121	False	True	True	
textlist[415]	Byte		108	False	True	True	
textlist[416]	Byte		101	False	True	True	
textlist[417]	Byte		115	False	True	True	
textlist[418]	Byte		104	False	True	True	
textlist[419]	Byte		101	False	True	True	
textlist[420]	Byte		101	False	True	True	
textlist[421]	Byte		116	False	True	True	
textlist[422]	Byte		47	False	True	True	
textlist[423]	Byte		115	False	True	True	
textlist[424]	Byte		105	False	True	True	
textlist[425]	Byte		101	False	True	True	
textlist[426]	Byte		109	False	True	True	
textlist[427]	Byte		101	False	True	True	
textlist[428]	Byte		110	False	True	True	
textlist[429]	Byte		115	False	True	True	
textlist[430]	Byte		95	False	True	True	
textlist[431]	Byte		83	False	True	True	
textlist[432]	Byte		116	False	True	True	
textlist[433]	Byte		121	False	True	True	
textlist[434]	Byte		108	False	True	True	
textlist[435]	Byte		101	False	True	True	
textlist[436]	Byte		115	False	True	True	
textlist[437]	Byte		104	False	True	True	
textlist[438]	Byte		101	False	True	True	
textlist[439]	Byte		101	False	True	True	
textlist[440]	Byte		116	False	True	True	

B

C

D

E

F

Owner	Project name	Abastecimento de água V11 - 1212C - Final	Date	6/21/2012
Operator	Project Path	D:\Documents and Settings\Tiago\Desktop\Dissertação Mestrado V11\Abastecimento de água V11 - 1212C - Final		
Designed By	Description 1st	Location		
Checked By	Description 2nd	Language	en-US	
Approved By	1st View	Version	Sheet 12 - 37	

1

2

3

4

A

Name	Data type	Offset	Start value	Retain	Access- ible from HMI	Visible in HMI	Comment
textlist[441]	Byte		46	False	True	True	
textlist[442]	Byte		99	False	True	True	
textlist[443]	Byte		115	False	True	True	
textlist[444]	Byte		115	False	True	True	
textlist[445]	Byte		0	False	True	True	
textlist[446]	Byte		116	False	True	True	
textlist[447]	Byte		101	False	True	True	
textlist[448]	Byte		120	False	True	True	
textlist[449]	Byte		116	False	True	True	
textlist[450]	Byte		47	False	True	True	
textlist[451]	Byte		99	False	True	True	
textlist[452]	Byte		115	False	True	True	
textlist[453]	Byte		115	False	True	True	
textlist[454]	Byte		0	False	True	True	
textlist[455]	Byte		86	False	True	True	
textlist[456]	Byte		105	False	True	True	
textlist[457]	Byte		115	False	True	True	
textlist[458]	Byte		117	False	True	True	
textlist[459]	Byte		97	False	True	True	
textlist[460]	Byte		108	False	True	True	
textlist[461]	Byte		105	False	True	True	
textlist[462]	Byte		122	False	True	True	
textlist[463]	Byte		97	False	True	True	
textlist[464]	Byte		99	False	True	True	
textlist[465]	Byte		97	False	True	True	
textlist[466]	Byte		111	False	True	True	
textlist[467]	Byte		46	False	True	True	
textlist[468]	Byte		104	False	True	True	
textlist[469]	Byte		116	False	True	True	
textlist[470]	Byte		109	False	True	True	
textlist[471]	Byte		0	False	True	True	
textlist[472]	Byte		116	False	True	True	
textlist[473]	Byte		101	False	True	True	
textlist[474]	Byte		120	False	True	True	
textlist[475]	Byte		116	False	True	True	
textlist[476]	Byte		47	False	True	True	
textlist[477]	Byte		104	False	True	True	
textlist[478]	Byte		116	False	True	True	
textlist[479]	Byte		109	False	True	True	
textlist[480]	Byte		108	False	True	True	
textlist[481]	Byte		0	False	True	True	
textlist[482]	Byte		73	False	True	True	
textlist[483]	Byte		109	False	True	True	
textlist[484]	Byte		97	False	True	True	

B

C

D

E

F

Owner	Project name	Abastecimento de água V11 - 1212C - Final	Date	6/21/2012
Operator	Project Path	D:\Documents and Settings\Tiago\Desktop\Dissertação Mestrado V11\Abastecimento de água V11 - 1212C - Final		
Designed By	Description 1st	Location		
Checked By	Description 2nd	Language	en-US	
Approved By	1st View	Version	Sheet 12 - 38	

1

2

3

4

A

Name	Data type	Offset	Start value	Retain	Access- ible from HMI	Visible in HMI	Comment
textlist[485]	Byte		103	False	True	True	
textlist[486]	Byte		101	False	True	True	
textlist[487]	Byte		115	False	True	True	
textlist[488]	Byte		0	False	True	True	
textlist[489]	Byte		83	False	True	True	
textlist[490]	Byte		116	False	True	True	
textlist[491]	Byte		121	False	True	True	
textlist[492]	Byte		108	False	True	True	
textlist[493]	Byte		101	False	True	True	
textlist[494]	Byte		115	False	True	True	
textlist[495]	Byte		104	False	True	True	
textlist[496]	Byte		101	False	True	True	
textlist[497]	Byte		101	False	True	True	
textlist[498]	Byte		116	False	True	True	
textlist[499]	Byte		0	False	True	True	
textlist[500]	Byte		73	False	True	True	
textlist[501]	Byte		109	False	True	True	
textlist[502]	Byte		97	False	True	True	
textlist[503]	Byte		103	False	True	True	
textlist[504]	Byte		101	False	True	True	
textlist[505]	Byte		115	False	True	True	
textlist[506]	Byte		47	False	True	True	
textlist[507]	Byte		98	False	True	True	
textlist[508]	Byte		108	False	True	True	
textlist[509]	Byte		117	False	True	True	
textlist[510]	Byte		101	False	True	True	
textlist[511]	Byte		46	False	True	True	
textlist[512]	Byte		112	False	True	True	
textlist[513]	Byte		110	False	True	True	
textlist[514]	Byte		103	False	True	True	
textlist[515]	Byte		0	False	True	True	
textlist[516]	Byte		73	False	True	True	
textlist[517]	Byte		109	False	True	True	
textlist[518]	Byte		97	False	True	True	
textlist[519]	Byte		103	False	True	True	
textlist[520]	Byte		101	False	True	True	
textlist[521]	Byte		115	False	True	True	
textlist[522]	Byte		47	False	True	True	
textlist[523]	Byte		83	False	True	True	
textlist[524]	Byte		116	False	True	True	
textlist[525]	Byte		97	False	True	True	
textlist[526]	Byte		116	False	True	True	
textlist[527]	Byte		117	False	True	True	
textlist[528]	Byte		115	False	True	True	

B

C

D

E

F

Owner	Project name	Abastecimento de água V11 - 1212C - Final	Date	6/21/2012
Operator	Project Path	D:\Documents and Settings\Tiago\Desktop\Dissertação Mestrado V11\Abastecimento de água V11 - 1212C - Final		
Designed By	Description 1st	Location		
Checked By	Description 2nd	Language	en-US	
Approved By	1st View	Version	Sheet 12 - 39	

1

2

3

4

A

Name	Data type	Offset	Start value	Retain	Accessible from HMI	Visible in HMI	Comment
textlist[529]	Byte		48	False	True	True	
textlist[530]	Byte		48	False	True	True	
textlist[531]	Byte		46	False	True	True	
textlist[532]	Byte		112	False	True	True	
textlist[533]	Byte		110	False	True	True	
textlist[534]	Byte		103	False	True	True	
textlist[535]	Byte		0	False	True	True	
textlist[536]	Byte		73	False	True	True	
textlist[537]	Byte		109	False	True	True	
textlist[538]	Byte		97	False	True	True	
textlist[539]	Byte		103	False	True	True	
textlist[540]	Byte		101	False	True	True	
textlist[541]	Byte		115	False	True	True	
textlist[542]	Byte		47	False	True	True	
textlist[543]	Byte		83	False	True	True	
textlist[544]	Byte		116	False	True	True	
textlist[545]	Byte		97	False	True	True	
textlist[546]	Byte		116	False	True	True	
textlist[547]	Byte		117	False	True	True	
textlist[548]	Byte		115	False	True	True	
textlist[549]	Byte		48	False	True	True	
textlist[550]	Byte		49	False	True	True	
textlist[551]	Byte		46	False	True	True	
textlist[552]	Byte		112	False	True	True	
textlist[553]	Byte		110	False	True	True	
textlist[554]	Byte		103	False	True	True	
textlist[555]	Byte		0	False	True	True	
textlist[556]	Byte		73	False	True	True	
textlist[557]	Byte		109	False	True	True	
textlist[558]	Byte		97	False	True	True	
textlist[559]	Byte		103	False	True	True	
textlist[560]	Byte		101	False	True	True	
textlist[561]	Byte		115	False	True	True	
textlist[562]	Byte		47	False	True	True	
textlist[563]	Byte		84	False	True	True	
textlist[564]	Byte		97	False	True	True	
textlist[565]	Byte		110	False	True	True	
textlist[566]	Byte		107	False	True	True	
textlist[567]	Byte		69	False	True	True	
textlist[568]	Byte		120	False	True	True	
textlist[569]	Byte		97	False	True	True	
textlist[570]	Byte		109	False	True	True	
textlist[571]	Byte		112	False	True	True	
textlist[572]	Byte		108	False	True	True	

B

C

D

E

F

Owner	Project name	Abastecimento de água V11 - 1212C - Final	Date	6/21/2012
Operator	Project Path	D:\Documents and Settings\Tiago\Desktop\Dissertação Mestrado V11\Abastecimento de água V11 - 1212C - Final		
Designed By	Description 1st	Location		
Checked By	Description 2nd	Language	en-US	
Approved By	1st View	Version	Sheet 12 - 40	

1

2

3

4

A

Name	Data type	Offset	Start value	Retain	Accessible from HMI	Visible in HMI	Comment
textlist[573]	Byte		101	False	True	True	
textlist[574]	Byte		46	False	True	True	
textlist[575]	Byte		80	False	True	True	
textlist[576]	Byte		78	False	True	True	
textlist[577]	Byte		71	False	True	True	
textlist[578]	Byte		0	False	True	True	
textlist[579]	Byte		73	False	True	True	
textlist[580]	Byte		109	False	True	True	
textlist[581]	Byte		97	False	True	True	
textlist[582]	Byte		103	False	True	True	
textlist[583]	Byte		101	False	True	True	
textlist[584]	Byte		115	False	True	True	
textlist[585]	Byte		47	False	True	True	
textlist[586]	Byte		84	False	True	True	
textlist[587]	Byte		104	False	True	True	
textlist[588]	Byte		117	False	True	True	
textlist[589]	Byte		109	False	True	True	
textlist[590]	Byte		98	False	True	True	
textlist[591]	Byte		115	False	True	True	
textlist[592]	Byte		46	False	True	True	
textlist[593]	Byte		100	False	True	True	
textlist[594]	Byte		98	False	True	True	
textlist[595]	Byte		0	False	True	True	
textlist[596]	Byte		73	False	True	True	
textlist[597]	Byte		109	False	True	True	
textlist[598]	Byte		97	False	True	True	
textlist[599]	Byte		103	False	True	True	
textlist[600]	Byte		101	False	True	True	
textlist[601]	Byte		115	False	True	True	
textlist[602]	Byte		47	False	True	True	
textlist[603]	Byte		86	False	True	True	
textlist[604]	Byte		97	False	True	True	
textlist[605]	Byte		108	False	True	True	
textlist[606]	Byte		118	False	True	True	
textlist[607]	Byte		101	False	True	True	
textlist[608]	Byte		48	False	True	True	
textlist[609]	Byte		46	False	True	True	
textlist[610]	Byte		112	False	True	True	
textlist[611]	Byte		110	False	True	True	
textlist[612]	Byte		103	False	True	True	
textlist[613]	Byte		0	False	True	True	
textlist[614]	Byte		73	False	True	True	
textlist[615]	Byte		109	False	True	True	
textlist[616]	Byte		97	False	True	True	

B

C

D

E

F

Owner	Project name	Abastecimento de água V11 - 1212C - Final	Date	6/21/2012
Operator	Project Path	D:\Documents and Settings\Tiago\Desktop\Dissertação Mestrado V11\Abastecimento de água V11 - 1212C - Final		
Designed By	Description 1st	Location		
Checked By	Description 2nd	Language	en-US	
Approved By	1st View	Version	Sheet 12 - 41	

1

2

3

4

A

Name	Data type	Offset	Start value	Retain	Accessible from HMI	Visible in HMI	Comment
textlist[617]	Byte		103	False	True	True	
textlist[618]	Byte		101	False	True	True	
textlist[619]	Byte		115	False	True	True	
textlist[620]	Byte		47	False	True	True	
textlist[621]	Byte		86	False	True	True	
textlist[622]	Byte		97	False	True	True	
textlist[623]	Byte		108	False	True	True	
textlist[624]	Byte		118	False	True	True	
textlist[625]	Byte		101	False	True	True	
textlist[626]	Byte		49	False	True	True	
textlist[627]	Byte		46	False	True	True	
textlist[628]	Byte		112	False	True	True	
textlist[629]	Byte		110	False	True	True	
textlist[630]	Byte		103	False	True	True	
textlist[631]	Byte		0	False	True	True	
textlist[632]	Byte		83	False	True	True	
textlist[633]	Byte		116	False	True	True	
textlist[634]	Byte		121	False	True	True	
textlist[635]	Byte		108	False	True	True	
textlist[636]	Byte		101	False	True	True	
textlist[637]	Byte		115	False	True	True	
textlist[638]	Byte		104	False	True	True	
textlist[639]	Byte		101	False	True	True	
textlist[640]	Byte		101	False	True	True	
textlist[641]	Byte		116	False	True	True	
textlist[642]	Byte		47	False	True	True	
textlist[643]	Byte		115	False	True	True	
textlist[644]	Byte		105	False	True	True	
textlist[645]	Byte		101	False	True	True	
textlist[646]	Byte		109	False	True	True	
textlist[647]	Byte		101	False	True	True	
textlist[648]	Byte		110	False	True	True	
textlist[649]	Byte		115	False	True	True	
textlist[650]	Byte		95	False	True	True	
textlist[651]	Byte		83	False	True	True	
textlist[652]	Byte		116	False	True	True	
textlist[653]	Byte		121	False	True	True	
textlist[654]	Byte		108	False	True	True	
textlist[655]	Byte		101	False	True	True	
textlist[656]	Byte		115	False	True	True	
textlist[657]	Byte		104	False	True	True	
textlist[658]	Byte		101	False	True	True	
textlist[659]	Byte		101	False	True	True	
textlist[660]	Byte		116	False	True	True	

B

C

D

E

F

Owner	Project name	Abastecimento de água V11 - 1212C - Final	Date	6/21/2012
Operator	Project Path	D:\Documents and Settings\Tiago\Desktop\Dissertação Mestrado V11\Abastecimento de água V11 - 1212C - Final		
Designed By	Description 1st	Location		
Checked By	Description 2nd	Language	en-US	
Approved By	1st View	Version	Sheet 12 - 42	

1

2

3

4

A

Name	Data type	Offset	Start value	Retain	Accessible from HMI	Visible in HMI	Comment
textlist[661]	Byte		46	False	True	True	
textlist[662]	Byte		99	False	True	True	
textlist[663]	Byte		115	False	True	True	
textlist[664]	Byte		115	False	True	True	
textlist[665]	Byte		0	False	True	True	
textlist[666]	Byte		67	False	True	True	
textlist[667]	Byte		105	False	True	True	
textlist[668]	Byte		114	False	True	True	
textlist[669]	Byte		99	False	True	True	
textlist[670]	Byte		117	False	True	True	
textlist[671]	Byte		105	False	True	True	
textlist[672]	Byte		116	False	True	True	
textlist[673]	Byte		111	False	True	True	
textlist[674]	Byte		115	False	True	True	
textlist[675]	Byte		46	False	True	True	
textlist[676]	Byte		104	False	True	True	
textlist[677]	Byte		116	False	True	True	
textlist[678]	Byte		109	False	True	True	
textlist[679]	Byte		0	False	True	True	
textlist[680]	Byte		72	False	True	True	
textlist[681]	Byte		111	False	True	True	
textlist[682]	Byte		114	False	True	True	
textlist[683]	Byte		97	False	True	True	
textlist[684]	Byte		114	False	True	True	
textlist[685]	Byte		105	False	True	True	
textlist[686]	Byte		111	False	True	True	
textlist[687]	Byte		46	False	True	True	
textlist[688]	Byte		104	False	True	True	
textlist[689]	Byte		116	False	True	True	
textlist[690]	Byte		109	False	True	True	
textlist[691]	Byte		0	False	True	True	
textlist[692]	Byte		77	False	True	True	
textlist[693]	Byte		97	False	True	True	
textlist[694]	Byte		110	False	True	True	
textlist[695]	Byte		117	False	True	True	
textlist[696]	Byte		97	False	True	True	
textlist[697]	Byte		108	False	True	True	
textlist[698]	Byte		46	False	True	True	
textlist[699]	Byte		104	False	True	True	
textlist[700]	Byte		116	False	True	True	
textlist[701]	Byte		109	False	True	True	
textlist[702]	Byte		0	False	True	True	
textlist[703]	Byte		77	False	True	True	
textlist[704]	Byte		97	False	True	True	

B

C

D

E

F

Owner	Project name	Abastecimento de água V11 - 1212C - Final	Date	6/21/2012
Operator	Project Path	D:\Documents and Settings\Tiago\Desktop\Dissertação Mestrado V11\Abastecimento de água V11 - 1212C - Final		
Designed By	Description 1st	Location		
Checked By	Description 2nd	Language	en-US	
Approved By	1st View	Version	Sheet 12 - 43	

1

2

3

4

A

Name	Data type	Offset	Start value	Retain	Access- ible from HMI	Visible in HMI	Comment
textlist[705]	Byte		110	False	True	True	
textlist[706]	Byte		117	False	True	True	
textlist[707]	Byte		116	False	True	True	
textlist[708]	Byte		101	False	True	True	
textlist[709]	Byte		110	False	True	True	
textlist[710]	Byte		99	False	True	True	
textlist[711]	Byte		97	False	True	True	
textlist[712]	Byte		111	False	True	True	
textlist[713]	Byte		46	False	True	True	
textlist[714]	Byte		104	False	True	True	
textlist[715]	Byte		116	False	True	True	
textlist[716]	Byte		109	False	True	True	
textlist[717]	Byte		0	False	True	True	
textlist[718]	Byte		79	False	True	True	
textlist[719]	Byte		114	False	True	True	
textlist[720]	Byte		105	False	True	True	
textlist[721]	Byte		103	False	True	True	
textlist[722]	Byte		101	False	True	True	
textlist[723]	Byte		109	False	True	True	
textlist[724]	Byte		46	False	True	True	
textlist[725]	Byte		104	False	True	True	
textlist[726]	Byte		116	False	True	True	
textlist[727]	Byte		109	False	True	True	
textlist[728]	Byte		0	False	True	True	
textlist[729]	Byte		80	False	True	True	
textlist[730]	Byte		104	False	True	True	
textlist[731]	Byte		46	False	True	True	
textlist[732]	Byte		104	False	True	True	
textlist[733]	Byte		116	False	True	True	
textlist[734]	Byte		109	False	True	True	
textlist[735]	Byte		0	False	True	True	
textlist[736]	Byte		81	False	True	True	
textlist[737]	Byte		117	False	True	True	
textlist[738]	Byte		97	False	True	True	
textlist[739]	Byte		110	False	True	True	
textlist[740]	Byte		116	False	True	True	
textlist[741]	Byte		105	False	True	True	
textlist[742]	Byte		100	False	True	True	
textlist[743]	Byte		97	False	True	True	
textlist[744]	Byte		100	False	True	True	
textlist[745]	Byte		101	False	True	True	
textlist[746]	Byte		115	False	True	True	
textlist[747]	Byte		46	False	True	True	
textlist[748]	Byte		104	False	True	True	

B

C

D

E

F

Owner	Project name	Abastecimento de água V11 - 1212C - Final	Date	6/21/2012
Operator	Project Path	D:\Documents and Settings\Tiago\Desktop\Dissertação Mestrado V11\Abastecimento de água V11 - 1212C - Final		
Designed By	Description 1st	Location		
Checked By	Description 2nd	Language	en-US	
Approved By	1st View	Version	Sheet 12 - 44	

1

2

3

4

A

Name	Data type	Offset	Start value	Retain	Accessible from HMI	Visible in HMI	Comment
textlist[749]	Byte		116	False	True	True	
textlist[750]	Byte		109	False	True	True	
textlist[751]	Byte		0	False	True	True	
textlist[752]	Byte		86	False	True	True	
textlist[753]	Byte		105	False	True	True	
textlist[754]	Byte		115	False	True	True	
textlist[755]	Byte		117	False	True	True	
textlist[756]	Byte		97	False	True	True	
textlist[757]	Byte		108	False	True	True	
textlist[758]	Byte		105	False	True	True	
textlist[759]	Byte		122	False	True	True	
textlist[760]	Byte		97	False	True	True	
textlist[761]	Byte		99	False	True	True	
textlist[762]	Byte		97	False	True	True	
textlist[763]	Byte		111	False	True	True	
textlist[764]	Byte		46	False	True	True	
textlist[765]	Byte		104	False	True	True	
textlist[766]	Byte		116	False	True	True	
textlist[767]	Byte		109	False	True	True	
textlist[768]	Byte		0	False	True	True	
textlist[769]	Byte		69	False	True	True	
textlist[770]	Byte		110	False	True	True	
textlist[771]	Byte		117	False	True	True	
textlist[772]	Byte		109	False	True	True	
textlist[773]	Byte		68	False	True	True	
textlist[774]	Byte		101	False	True	True	
textlist[775]	Byte		102	False	True	True	
textlist[776]	Byte		49	False	True	True	
textlist[777]	Byte		0	False	True	True	
textlist[778]	Byte		34	False	True	True	
textlist[779]	Byte		66	False	True	True	
textlist[780]	Byte		97	False	True	True	
textlist[781]	Byte		99	False	True	True	
textlist[782]	Byte		107	False	True	True	
textlist[783]	Byte		117	False	True	True	
textlist[784]	Byte		112	False	True	True	
textlist[785]	Byte		95	False	True	True	
textlist[786]	Byte		68	False	True	True	
textlist[787]	Byte		97	False	True	True	
textlist[788]	Byte		100	False	True	True	
textlist[789]	Byte		111	False	True	True	
textlist[790]	Byte		115	False	True	True	
textlist[791]	Byte		34	False	True	True	
textlist[792]	Byte		46	False	True	True	

B

C

D

E

F

Owner	Project name	Abastecimento de água V11 - 1212C - Final	Date	6/21/2012
Operator	Project Path	D:\Documents and Settings\Tiago\Desktop\Dissertação Mestrado V11\Abastecimento de água V11 - 1212C - Final		
Designed By	Description 1st	Location		
Checked By	Description 2nd	Language	en-US	
Approved By	1st View	Version	Sheet 12 - 45	

1

2

3

4

A

Name	Data type	Offset	Start value	Retain	Accessible from HMI	Visible in HMI	Comment
textlist[793]	Byte		99	False	True	True	
textlist[794]	Byte		105	False	True	True	
textlist[795]	Byte		114	False	True	True	
textlist[796]	Byte		99	False	True	True	
textlist[797]	Byte		117	False	True	True	
textlist[798]	Byte		105	False	True	True	
textlist[799]	Byte		116	False	True	True	
textlist[800]	Byte		111	False	True	True	
textlist[801]	Byte		95	False	True	True	
textlist[802]	Byte		49	False	True	True	
textlist[803]	Byte		0	False	True	True	
textlist[804]	Byte		34	False	True	True	
textlist[805]	Byte		66	False	True	True	
textlist[806]	Byte		97	False	True	True	
textlist[807]	Byte		99	False	True	True	
textlist[808]	Byte		107	False	True	True	
textlist[809]	Byte		117	False	True	True	
textlist[810]	Byte		112	False	True	True	
textlist[811]	Byte		95	False	True	True	
textlist[812]	Byte		68	False	True	True	
textlist[813]	Byte		97	False	True	True	
textlist[814]	Byte		100	False	True	True	
textlist[815]	Byte		111	False	True	True	
textlist[816]	Byte		115	False	True	True	
textlist[817]	Byte		34	False	True	True	
textlist[818]	Byte		46	False	True	True	
textlist[819]	Byte		99	False	True	True	
textlist[820]	Byte		105	False	True	True	
textlist[821]	Byte		114	False	True	True	
textlist[822]	Byte		99	False	True	True	
textlist[823]	Byte		117	False	True	True	
textlist[824]	Byte		105	False	True	True	
textlist[825]	Byte		116	False	True	True	
textlist[826]	Byte		111	False	True	True	
textlist[827]	Byte		95	False	True	True	
textlist[828]	Byte		50	False	True	True	
textlist[829]	Byte		0	False	True	True	
textlist[830]	Byte		34	False	True	True	
textlist[831]	Byte		66	False	True	True	
textlist[832]	Byte		97	False	True	True	
textlist[833]	Byte		99	False	True	True	
textlist[834]	Byte		107	False	True	True	
textlist[835]	Byte		117	False	True	True	
textlist[836]	Byte		112	False	True	True	

B

C

D

E

F

Owner

Project name Abastecimento de água V11 - 1212C - Final

Date 6/21/2012

Operator

Project Path
D:\Documents and Settings\Tiago\Desktop\Dissertação Mestrado
V11\Abastecimento de água V11 - 1212C - Final

Location

Designed By

Description 1st

Checked By

Description 2nd

Language en-US

Approved By

1st View

Version

Sheet 12 - 46

1

2

3

4

A

Name	Data type	Offset	Start value	Retain	Accessible from HMI	Visible in HMI	Comment
textlist[837]	Byte		95	False	True	True	
textlist[838]	Byte		68	False	True	True	
textlist[839]	Byte		97	False	True	True	
textlist[840]	Byte		100	False	True	True	
textlist[841]	Byte		111	False	True	True	
textlist[842]	Byte		115	False	True	True	
textlist[843]	Byte		34	False	True	True	
textlist[844]	Byte		46	False	True	True	
textlist[845]	Byte		99	False	True	True	
textlist[846]	Byte		105	False	True	True	
textlist[847]	Byte		114	False	True	True	
textlist[848]	Byte		99	False	True	True	
textlist[849]	Byte		117	False	True	True	
textlist[850]	Byte		105	False	True	True	
textlist[851]	Byte		116	False	True	True	
textlist[852]	Byte		111	False	True	True	
textlist[853]	Byte		95	False	True	True	
textlist[854]	Byte		51	False	True	True	
textlist[855]	Byte		0	False	True	True	
textlist[856]	Byte		34	False	True	True	
textlist[857]	Byte		66	False	True	True	
textlist[858]	Byte		97	False	True	True	
textlist[859]	Byte		99	False	True	True	
textlist[860]	Byte		107	False	True	True	
textlist[861]	Byte		117	False	True	True	
textlist[862]	Byte		112	False	True	True	
textlist[863]	Byte		95	False	True	True	
textlist[864]	Byte		68	False	True	True	
textlist[865]	Byte		97	False	True	True	
textlist[866]	Byte		100	False	True	True	
textlist[867]	Byte		111	False	True	True	
textlist[868]	Byte		115	False	True	True	
textlist[869]	Byte		34	False	True	True	
textlist[870]	Byte		46	False	True	True	
textlist[871]	Byte		99	False	True	True	
textlist[872]	Byte		105	False	True	True	
textlist[873]	Byte		114	False	True	True	
textlist[874]	Byte		99	False	True	True	
textlist[875]	Byte		117	False	True	True	
textlist[876]	Byte		105	False	True	True	
textlist[877]	Byte		116	False	True	True	
textlist[878]	Byte		111	False	True	True	
textlist[879]	Byte		95	False	True	True	
textlist[880]	Byte		52	False	True	True	

C

D

E

F

Owner	Project name	Abastecimento de água V11 - 1212C - Final	Date	6/21/2012
Operator	Project Path	D:\Documents and Settings\Tiago\Desktop\Dissertação Mestrado V11\Abastecimento de água V11 - 1212C - Final		
Designed By	Description 1st	Location		
Checked By	Description 2nd	Language	en-US	
Approved By	1st View	Version	Sheet 12 - 47	

1

2

3

4

A

Name	Data type	Offset	Start value	Retain	Access- ible from HMI	Visible in HMI	Comment
textlist[881]	Byte		0	False	True	True	
textlist[882]	Byte		34	False	True	True	
textlist[883]	Byte		66	False	True	True	
textlist[884]	Byte		97	False	True	True	
textlist[885]	Byte		99	False	True	True	
textlist[886]	Byte		107	False	True	True	
textlist[887]	Byte		117	False	True	True	
textlist[888]	Byte		112	False	True	True	
textlist[889]	Byte		95	False	True	True	
textlist[890]	Byte		68	False	True	True	
textlist[891]	Byte		97	False	True	True	
textlist[892]	Byte		100	False	True	True	
textlist[893]	Byte		111	False	True	True	
textlist[894]	Byte		115	False	True	True	
textlist[895]	Byte		34	False	True	True	
textlist[896]	Byte		46	False	True	True	
textlist[897]	Byte		99	False	True	True	
textlist[898]	Byte		105	False	True	True	
textlist[899]	Byte		114	False	True	True	
textlist[900]	Byte		99	False	True	True	
textlist[901]	Byte		117	False	True	True	
textlist[902]	Byte		105	False	True	True	
textlist[903]	Byte		116	False	True	True	
textlist[904]	Byte		111	False	True	True	
textlist[905]	Byte		95	False	True	True	
textlist[906]	Byte		53	False	True	True	
textlist[907]	Byte		0	False	True	True	
textlist[908]	Byte		34	False	True	True	
textlist[909]	Byte		66	False	True	True	
textlist[910]	Byte		97	False	True	True	
textlist[911]	Byte		99	False	True	True	
textlist[912]	Byte		107	False	True	True	
textlist[913]	Byte		117	False	True	True	
textlist[914]	Byte		112	False	True	True	
textlist[915]	Byte		95	False	True	True	
textlist[916]	Byte		68	False	True	True	
textlist[917]	Byte		97	False	True	True	
textlist[918]	Byte		100	False	True	True	
textlist[919]	Byte		111	False	True	True	
textlist[920]	Byte		115	False	True	True	
textlist[921]	Byte		34	False	True	True	
textlist[922]	Byte		46	False	True	True	
textlist[923]	Byte		111	False	True	True	
textlist[924]	Byte		112	False	True	True	

B

C

D

E

F

Owner	Project name	Abastecimento de água V11 - 1212C - Final	Date	6/21/2012
Operator	Project Path	D:\Documents and Settings\Tiago\Desktop\Dissertação Mestrado V11\Abastecimento de água V11 - 1212C - Final		
Designed By	Description 1st	Location		
Checked By	Description 2nd	Language	en-US	
Approved By	1st View	Version	Sheet 12 - 48	

1

2

3

4

A

Name	Data type	Offset	Start value	Retain	Accessible from HMI	Visible in HMI	Comment
textlist[925]	Byte		99	False	True	True	
textlist[926]	Byte		97	False	True	True	
textlist[927]	Byte		111	False	True	True	
textlist[928]	Byte		95	False	True	True	
textlist[929]	Byte		109	False	True	True	
textlist[930]	Byte		111	False	True	True	
textlist[931]	Byte		100	False	True	True	
textlist[932]	Byte		111	False	True	True	
textlist[933]	Byte		95	False	True	True	
textlist[934]	Byte		102	False	True	True	
textlist[935]	Byte		117	False	True	True	
textlist[936]	Byte		110	False	True	True	
textlist[937]	Byte		99	False	True	True	
textlist[938]	Byte		105	False	True	True	
textlist[939]	Byte		111	False	True	True	
textlist[940]	Byte		110	False	True	True	
textlist[941]	Byte		97	False	True	True	
textlist[942]	Byte		109	False	True	True	
textlist[943]	Byte		101	False	True	True	
textlist[944]	Byte		110	False	True	True	
textlist[945]	Byte		116	False	True	True	
textlist[946]	Byte		111	False	True	True	
textlist[947]	Byte		0	False	True	True	
textlist[948]	Byte		34	False	True	True	
textlist[949]	Byte		73	False	True	True	
textlist[950]	Byte		110	False	True	True	
textlist[951]	Byte		102	False	True	True	
textlist[952]	Byte		111	False	True	True	
textlist[953]	Byte		95	False	True	True	
textlist[954]	Byte		83	False	True	True	
textlist[955]	Byte		105	False	True	True	
textlist[956]	Byte		115	False	True	True	
textlist[957]	Byte		116	False	True	True	
textlist[958]	Byte		101	False	True	True	
textlist[959]	Byte		109	False	True	True	
textlist[960]	Byte		97	False	True	True	
textlist[961]	Byte		34	False	True	True	
textlist[962]	Byte		46	False	True	True	
textlist[963]	Byte		77	False	True	True	
textlist[964]	Byte		111	False	True	True	
textlist[965]	Byte		100	False	True	True	
textlist[966]	Byte		111	False	True	True	
textlist[967]	Byte		95	False	True	True	
textlist[968]	Byte		100	False	True	True	

B

C

D

E

F

Owner	Project name	Abastecimento de água V11 - 1212C - Final	Date	6/21/2012
Operator	Project Path	D:\Documents and Settings\Tiago\Desktop\Dissertação Mestrado V11\Abastecimento de água V11 - 1212C - Final		
Designed By	Description 1st	Location		
Checked By	Description 2nd	Language	en-US	
Approved By	1st View	Version	Sheet 12 - 49	

1

2

3

4

A

Name	Data type	Offset	Start value	Retain	Access- ible from HMI	Visible in HMI	Comment
textlist[969]	Byte		101	False	True	True	
textlist[970]	Byte		95	False	True	True	
textlist[971]	Byte		70	False	True	True	
textlist[972]	Byte		117	False	True	True	
textlist[973]	Byte		110	False	True	True	
textlist[974]	Byte		99	False	True	True	
textlist[975]	Byte		105	False	True	True	
textlist[976]	Byte		111	False	True	True	
textlist[977]	Byte		110	False	True	True	
textlist[978]	Byte		97	False	True	True	
textlist[979]	Byte		109	False	True	True	
textlist[980]	Byte		101	False	True	True	
textlist[981]	Byte		110	False	True	True	
textlist[982]	Byte		116	False	True	True	
textlist[983]	Byte		111	False	True	True	
textlist[984]	Byte		0	False	True	True	
textlist[985]	Byte		34	False	True	True	
textlist[986]	Byte		73	False	True	True	
textlist[987]	Byte		110	False	True	True	
textlist[988]	Byte		102	False	True	True	
textlist[989]	Byte		111	False	True	True	
textlist[990]	Byte		95	False	True	True	
textlist[991]	Byte		83	False	True	True	
textlist[992]	Byte		105	False	True	True	
textlist[993]	Byte		115	False	True	True	
textlist[994]	Byte		116	False	True	True	
textlist[995]	Byte		101	False	True	True	
textlist[996]	Byte		109	False	True	True	
textlist[997]	Byte		97	False	True	True	
textlist[998]	Byte		34	False	True	True	
textlist[999]	Byte		46	False	True	True	
textlist[1000]	Byte		67	False	True	True	
textlist[1001]	Byte		105	False	True	True	
textlist[1002]	Byte		114	False	True	True	
textlist[1003]	Byte		99	False	True	True	
textlist[1004]	Byte		117	False	True	True	
textlist[1005]	Byte		105	False	True	True	
textlist[1006]	Byte		116	False	True	True	
textlist[1007]	Byte		111	False	True	True	
textlist[1008]	Byte		95	False	True	True	
textlist[1009]	Byte		49	False	True	True	
textlist[1010]	Byte		0	False	True	True	
textlist[1011]	Byte		34	False	True	True	
textlist[1012]	Byte		73	False	True	True	

B

C

D

E

F

Owner

Project name Abastecimento de água V11 - 1212C - Final

Date 6/21/2012

Operator

Project Path
D:\Documents and Settings\Tiago\Desktop\Dissertação Mestrado
V11\Abastecimento de água V11 - 1212C - Final

Location

Designed By

Description 1st

Checked By

Description 2nd

Language en-US

Approved By

1st View

Version

Sheet 12 - 50

1

2

3

4

A

Name	Data type	Offset	Start value	Retain	Accessible from HMI	Visible in HMI	Comment
textlist[1013]	Byte		110	False	True	True	
textlist[1014]	Byte		102	False	True	True	
textlist[1015]	Byte		111	False	True	True	
textlist[1016]	Byte		95	False	True	True	
textlist[1017]	Byte		83	False	True	True	
textlist[1018]	Byte		105	False	True	True	
textlist[1019]	Byte		115	False	True	True	
textlist[1020]	Byte		116	False	True	True	
textlist[1021]	Byte		101	False	True	True	
textlist[1022]	Byte		109	False	True	True	
textlist[1023]	Byte		97	False	True	True	
textlist[1024]	Byte		34	False	True	True	
textlist[1025]	Byte		46	False	True	True	
textlist[1026]	Byte		67	False	True	True	
textlist[1027]	Byte		105	False	True	True	
textlist[1028]	Byte		114	False	True	True	
textlist[1029]	Byte		99	False	True	True	
textlist[1030]	Byte		117	False	True	True	
textlist[1031]	Byte		105	False	True	True	
textlist[1032]	Byte		116	False	True	True	
textlist[1033]	Byte		111	False	True	True	
textlist[1034]	Byte		95	False	True	True	
textlist[1035]	Byte		50	False	True	True	
textlist[1036]	Byte		0	False	True	True	
textlist[1037]	Byte		34	False	True	True	
textlist[1038]	Byte		73	False	True	True	
textlist[1039]	Byte		110	False	True	True	
textlist[1040]	Byte		102	False	True	True	
textlist[1041]	Byte		111	False	True	True	
textlist[1042]	Byte		95	False	True	True	
textlist[1043]	Byte		83	False	True	True	
textlist[1044]	Byte		105	False	True	True	
textlist[1045]	Byte		115	False	True	True	
textlist[1046]	Byte		116	False	True	True	
textlist[1047]	Byte		101	False	True	True	
textlist[1048]	Byte		109	False	True	True	
textlist[1049]	Byte		97	False	True	True	
textlist[1050]	Byte		34	False	True	True	
textlist[1051]	Byte		46	False	True	True	
textlist[1052]	Byte		67	False	True	True	
textlist[1053]	Byte		105	False	True	True	
textlist[1054]	Byte		114	False	True	True	
textlist[1055]	Byte		99	False	True	True	
textlist[1056]	Byte		117	False	True	True	

B

C

D

E

F

Owner	Project name	Abastecimento de água V11 - 1212C - Final	Date	6/21/2012
Operator	Project Path	D:\Documents and Settings\Tiago\Desktop\Dissertação Mestrado V11\Abastecimento de água V11 - 1212C - Final		
Designed By	Description 1st	Location		
Checked By	Description 2nd	Language	en-US	
Approved By	1st View	Version	Sheet 12 - 51	

1

2

3

4

A

Name	Data type	Offset	Start value	Retain	Accessible from HMI	Visible in HMI	Comment
textlist[1057]	Byte		105	False	True	True	
textlist[1058]	Byte		116	False	True	True	
textlist[1059]	Byte		111	False	True	True	
textlist[1060]	Byte		95	False	True	True	
textlist[1061]	Byte		51	False	True	True	
textlist[1062]	Byte		0	False	True	True	
textlist[1063]	Byte		34	False	True	True	
textlist[1064]	Byte		73	False	True	True	
textlist[1065]	Byte		110	False	True	True	
textlist[1066]	Byte		102	False	True	True	
textlist[1067]	Byte		111	False	True	True	
textlist[1068]	Byte		95	False	True	True	
textlist[1069]	Byte		83	False	True	True	
textlist[1070]	Byte		105	False	True	True	
textlist[1071]	Byte		115	False	True	True	
textlist[1072]	Byte		116	False	True	True	
textlist[1073]	Byte		101	False	True	True	
textlist[1074]	Byte		109	False	True	True	
textlist[1075]	Byte		97	False	True	True	
textlist[1076]	Byte		34	False	True	True	
textlist[1077]	Byte		46	False	True	True	
textlist[1078]	Byte		67	False	True	True	
textlist[1079]	Byte		105	False	True	True	
textlist[1080]	Byte		114	False	True	True	
textlist[1081]	Byte		99	False	True	True	
textlist[1082]	Byte		117	False	True	True	
textlist[1083]	Byte		105	False	True	True	
textlist[1084]	Byte		116	False	True	True	
textlist[1085]	Byte		111	False	True	True	
textlist[1086]	Byte		95	False	True	True	
textlist[1087]	Byte		52	False	True	True	
textlist[1088]	Byte		0	False	True	True	
textlist[1089]	Byte		34	False	True	True	
textlist[1090]	Byte		73	False	True	True	
textlist[1091]	Byte		110	False	True	True	
textlist[1092]	Byte		102	False	True	True	
textlist[1093]	Byte		111	False	True	True	
textlist[1094]	Byte		95	False	True	True	
textlist[1095]	Byte		83	False	True	True	
textlist[1096]	Byte		105	False	True	True	
textlist[1097]	Byte		115	False	True	True	
textlist[1098]	Byte		116	False	True	True	
textlist[1099]	Byte		101	False	True	True	
textlist[1100]	Byte		109	False	True	True	

B

C

D

E

F

Owner	Project name	Abastecimento de água V11 - 1212C - Final	Date	6/21/2012
Operator	Project Path	D:\Documents and Settings\Tiago\Desktop\Dissertação Mestrado V11\Abastecimento de água V11 - 1212C - Final		
Designed By	Description 1st	Location		
Checked By	Description 2nd	Language	en-US	
Approved By	1st View	Version	Sheet 12 - 52	

1

2

3

4

A

Name	Data type	Offset	Start value	Retain	Accessible from HMI	Visible in HMI	Comment
textlist[1101]	Byte		97	False	True	True	
textlist[1102]	Byte		34	False	True	True	
textlist[1103]	Byte		46	False	True	True	
textlist[1104]	Byte		67	False	True	True	
textlist[1105]	Byte		105	False	True	True	
textlist[1106]	Byte		114	False	True	True	
textlist[1107]	Byte		99	False	True	True	
textlist[1108]	Byte		117	False	True	True	
textlist[1109]	Byte		105	False	True	True	
textlist[1110]	Byte		116	False	True	True	
textlist[1111]	Byte		111	False	True	True	
textlist[1112]	Byte		95	False	True	True	
textlist[1113]	Byte		53	False	True	True	
textlist[1114]	Byte		0	False	True	True	
textlist[1115]	Byte		34	False	True	True	
textlist[1116]	Byte		82	False	True	True	
textlist[1117]	Byte		69	False	True	True	
textlist[1118]	Byte		83	False	True	True	
textlist[1119]	Byte		69	False	True	True	
textlist[1120]	Byte		84	False	True	True	
textlist[1121]	Byte		95	False	True	True	
textlist[1122]	Byte		84	False	True	True	
textlist[1123]	Byte		69	False	True	True	
textlist[1124]	Byte		77	False	True	True	
textlist[1125]	Byte		80	False	True	True	
textlist[1126]	Byte		79	False	True	True	
textlist[1127]	Byte		95	False	True	True	
textlist[1128]	Byte		80	False	True	True	
textlist[1129]	Byte		65	False	True	True	
textlist[1130]	Byte		82	False	True	True	
textlist[1131]	Byte		67	False	True	True	
textlist[1132]	Byte		73	False	True	True	
textlist[1133]	Byte		65	False	True	True	
textlist[1134]	Byte		76	False	True	True	
textlist[1135]	Byte		34	False	True	True	
textlist[1136]	Byte		0	False	True	True	
textlist[1137]	Byte		34	False	True	True	
textlist[1138]	Byte		73	False	True	True	
textlist[1139]	Byte		110	False	True	True	
textlist[1140]	Byte		102	False	True	True	
textlist[1141]	Byte		111	False	True	True	
textlist[1142]	Byte		95	False	True	True	
textlist[1143]	Byte		83	False	True	True	
textlist[1144]	Byte		105	False	True	True	

B

C

D

E

F

Owner	Project name	Abastecimento de água V11 - 1212C - Final	Date	6/21/2012
Operator	Project Path	D:\Documents and Settings\Tiago\Desktop\Dissertação Mestrado V11\Abastecimento de água V11 - 1212C - Final		
Designed By	Description 1st	Location		
Checked By	Description 2nd	Language	en-US	
Approved By	1st View	Version	Sheet 12 - 53	

1

2

3

4

A

Name	Data type	Offset	Start value	Retain	Accessible from HMI	Visible in HMI	Comment
textlist[1145]	Byte		115	False	True	True	
textlist[1146]	Byte		116	False	True	True	
textlist[1147]	Byte		101	False	True	True	
textlist[1148]	Byte		109	False	True	True	
textlist[1149]	Byte		97	False	True	True	
textlist[1150]	Byte		34	False	True	True	
textlist[1151]	Byte		46	False	True	True	
textlist[1152]	Byte		77	False	True	True	
textlist[1153]	Byte		111	False	True	True	
textlist[1154]	Byte		100	False	True	True	
textlist[1155]	Byte		111	False	True	True	
textlist[1156]	Byte		95	False	True	True	
textlist[1157]	Byte		78	False	True	True	
textlist[1158]	Byte		111	False	True	True	
textlist[1159]	Byte		99	False	True	True	
textlist[1160]	Byte		116	False	True	True	
textlist[1161]	Byte		117	False	True	True	
textlist[1162]	Byte		114	False	True	True	
textlist[1163]	Byte		110	False	True	True	
textlist[1164]	Byte		111	False	True	True	
textlist[1165]	Byte		0	False	True	True	
textlist[1166]	Byte		34	False	True	True	
textlist[1167]	Byte		73	False	True	True	
textlist[1168]	Byte		110	False	True	True	
textlist[1169]	Byte		102	False	True	True	
textlist[1170]	Byte		111	False	True	True	
textlist[1171]	Byte		95	False	True	True	
textlist[1172]	Byte		83	False	True	True	
textlist[1173]	Byte		105	False	True	True	
textlist[1174]	Byte		115	False	True	True	
textlist[1175]	Byte		116	False	True	True	
textlist[1176]	Byte		101	False	True	True	
textlist[1177]	Byte		109	False	True	True	
textlist[1178]	Byte		97	False	True	True	
textlist[1179]	Byte		34	False	True	True	
textlist[1180]	Byte		46	False	True	True	
textlist[1181]	Byte		77	False	True	True	
textlist[1182]	Byte		111	False	True	True	
textlist[1183]	Byte		100	False	True	True	
textlist[1184]	Byte		111	False	True	True	
textlist[1185]	Byte		95	False	True	True	
textlist[1186]	Byte		68	False	True	True	
textlist[1187]	Byte		105	False	True	True	
textlist[1188]	Byte		117	False	True	True	

B

C

D

E

F

Owner	Project name	Abastecimento de água V11 - 1212C - Final	Date	6/21/2012
Operator	Project Path	D:\Documents and Settings\Tiago\Desktop\Dissertação Mestrado V11\Abastecimento de água V11 - 1212C - Final		
Designed By	Description 1st	Location		
Checked By	Description 2nd	Language	en-US	
Approved By	1st View	Version	Sheet 12 - 54	

1

2

3

4

A

Name	Data type	Offset	Start value	Retain	Accessible from HMI	Visible in HMI	Comment
textlist[1189]	Byte		114	False	True	True	
textlist[1190]	Byte		110	False	True	True	
textlist[1191]	Byte		111	False	True	True	
textlist[1192]	Byte		0	False	True	True	
textlist[1193]	Byte		34	False	True	True	
textlist[1194]	Byte		66	False	True	True	
textlist[1195]	Byte		97	False	True	True	
textlist[1196]	Byte		99	False	True	True	
textlist[1197]	Byte		107	False	True	True	
textlist[1198]	Byte		117	False	True	True	
textlist[1199]	Byte		112	False	True	True	
textlist[1200]	Byte		95	False	True	True	
textlist[1201]	Byte		68	False	True	True	
textlist[1202]	Byte		97	False	True	True	
textlist[1203]	Byte		100	False	True	True	
textlist[1204]	Byte		111	False	True	True	
textlist[1205]	Byte		115	False	True	True	
textlist[1206]	Byte		34	False	True	True	
textlist[1207]	Byte		46	False	True	True	
textlist[1208]	Byte		100	False	True	True	
textlist[1209]	Byte		105	False	True	True	
textlist[1210]	Byte		97	False	True	True	
textlist[1211]	Byte		115	False	True	True	
textlist[1212]	Byte		95	False	True	True	
textlist[1213]	Byte		116	False	True	True	
textlist[1214]	Byte		111	False	True	True	
textlist[1215]	Byte		116	False	True	True	
textlist[1216]	Byte		97	False	True	True	
textlist[1217]	Byte		108	False	True	True	
textlist[1218]	Byte		0	False	True	True	
textlist[1219]	Byte		34	False	True	True	
textlist[1220]	Byte		66	False	True	True	
textlist[1221]	Byte		97	False	True	True	
textlist[1222]	Byte		99	False	True	True	
textlist[1223]	Byte		107	False	True	True	
textlist[1224]	Byte		117	False	True	True	
textlist[1225]	Byte		112	False	True	True	
textlist[1226]	Byte		95	False	True	True	
textlist[1227]	Byte		68	False	True	True	
textlist[1228]	Byte		97	False	True	True	
textlist[1229]	Byte		100	False	True	True	
textlist[1230]	Byte		111	False	True	True	
textlist[1231]	Byte		115	False	True	True	
textlist[1232]	Byte		34	False	True	True	

B

C

D

E

F

Owner	Project name	Abastecimento de água V11 - 1212C - Final	Date	6/21/2012
Operator	Project Path	D:\Documents and Settings\Tiago\Desktop\Dissertação Mestrado V11\Abastecimento de água V11 - 1212C - Final		
Designed By	Description 1st	Location		
Checked By	Description 2nd	Language	en-US	
Approved By	1st View	Version	Sheet 12 - 55	

1

2

3

4

A

Name	Data type	Offset	Start value	Retain	Accessible from HMI	Visible in HMI	Comment
textlist[1233]	Byte		46	False	True	True	
textlist[1234]	Byte		104	False	True	True	
textlist[1235]	Byte		111	False	True	True	
textlist[1236]	Byte		114	False	True	True	
textlist[1237]	Byte		97	False	True	True	
textlist[1238]	Byte		115	False	True	True	
textlist[1239]	Byte		95	False	True	True	
textlist[1240]	Byte		116	False	True	True	
textlist[1241]	Byte		111	False	True	True	
textlist[1242]	Byte		116	False	True	True	
textlist[1243]	Byte		97	False	True	True	
textlist[1244]	Byte		108	False	True	True	
textlist[1245]	Byte		0	False	True	True	
textlist[1246]	Byte		34	False	True	True	
textlist[1247]	Byte		66	False	True	True	
textlist[1248]	Byte		97	False	True	True	
textlist[1249]	Byte		99	False	True	True	
textlist[1250]	Byte		107	False	True	True	
textlist[1251]	Byte		117	False	True	True	
textlist[1252]	Byte		112	False	True	True	
textlist[1253]	Byte		95	False	True	True	
textlist[1254]	Byte		68	False	True	True	
textlist[1255]	Byte		97	False	True	True	
textlist[1256]	Byte		100	False	True	True	
textlist[1257]	Byte		111	False	True	True	
textlist[1258]	Byte		115	False	True	True	
textlist[1259]	Byte		34	False	True	True	
textlist[1260]	Byte		46	False	True	True	
textlist[1261]	Byte		109	False	True	True	
textlist[1262]	Byte		105	False	True	True	
textlist[1263]	Byte		110	False	True	True	
textlist[1264]	Byte		117	False	True	True	
textlist[1265]	Byte		116	False	True	True	
textlist[1266]	Byte		111	False	True	True	
textlist[1267]	Byte		115	False	True	True	
textlist[1268]	Byte		95	False	True	True	
textlist[1269]	Byte		116	False	True	True	
textlist[1270]	Byte		111	False	True	True	
textlist[1271]	Byte		116	False	True	True	
textlist[1272]	Byte		97	False	True	True	
textlist[1273]	Byte		108	False	True	True	
textlist[1274]	Byte		0	False	True	True	
textlist[1275]	Byte		34	False	True	True	
textlist[1276]	Byte		66	False	True	True	

B

C

D

E

F

Owner	Project name	Abastecimento de água V11 - 1212C - Final	Date	6/21/2012
Operator	Project Path	D:\Documents and Settings\Tiago\Desktop\Dissertação Mestrado V11\Abastecimento de água V11 - 1212C - Final		
Designed By	Description 1st	Location		
Checked By	Description 2nd	Language	en-US	
Approved By	1st View	Version	Sheet 12 - 56	

1

2

3

4

A

Name	Data type	Offset	Start value	Retain	Accessible from HMI	Visible in HMI	Comment
textlist[1277]	Byte		97	False	True	True	
textlist[1278]	Byte		99	False	True	True	
textlist[1279]	Byte		107	False	True	True	
textlist[1280]	Byte		117	False	True	True	
textlist[1281]	Byte		112	False	True	True	
textlist[1282]	Byte		95	False	True	True	
textlist[1283]	Byte		68	False	True	True	
textlist[1284]	Byte		97	False	True	True	
textlist[1285]	Byte		100	False	True	True	
textlist[1286]	Byte		111	False	True	True	
textlist[1287]	Byte		115	False	True	True	
textlist[1288]	Byte		34	False	True	True	
textlist[1289]	Byte		46	False	True	True	
textlist[1290]	Byte		100	False	True	True	
textlist[1291]	Byte		105	False	True	True	
textlist[1292]	Byte		97	False	True	True	
textlist[1293]	Byte		115	False	True	True	
textlist[1294]	Byte		95	False	True	True	
textlist[1295]	Byte		112	False	True	True	
textlist[1296]	Byte		97	False	True	True	
textlist[1297]	Byte		114	False	True	True	
textlist[1298]	Byte		99	False	True	True	
textlist[1299]	Byte		105	False	True	True	
textlist[1300]	Byte		97	False	True	True	
textlist[1301]	Byte		108	False	True	True	
textlist[1302]	Byte		0	False	True	True	
textlist[1303]	Byte		34	False	True	True	
textlist[1304]	Byte		66	False	True	True	
textlist[1305]	Byte		97	False	True	True	
textlist[1306]	Byte		99	False	True	True	
textlist[1307]	Byte		107	False	True	True	
textlist[1308]	Byte		117	False	True	True	
textlist[1309]	Byte		112	False	True	True	
textlist[1310]	Byte		95	False	True	True	
textlist[1311]	Byte		68	False	True	True	
textlist[1312]	Byte		97	False	True	True	
textlist[1313]	Byte		100	False	True	True	
textlist[1314]	Byte		111	False	True	True	
textlist[1315]	Byte		115	False	True	True	
textlist[1316]	Byte		34	False	True	True	
textlist[1317]	Byte		46	False	True	True	
textlist[1318]	Byte		104	False	True	True	
textlist[1319]	Byte		111	False	True	True	
textlist[1320]	Byte		114	False	True	True	

B

C

D

E

F

Owner	Project name	Abastecimento de água V11 - 1212C - Final	Date	6/21/2012
Operator	Project Path	D:\Documents and Settings\Tiago\Desktop\Dissertação Mestrado V11\Abastecimento de água V11 - 1212C - Final		
Designed By	Description 1st	Location		
Checked By	Description 2nd	Language	en-US	
Approved By	1st View	Version	Sheet 12 - 57	

1

2

3

4

A

Name	Data type	Offset	Start value	Retain	Accessible from HMI	Visible in HMI	Comment
textlist[1321]	Byte		97	False	True	True	
textlist[1322]	Byte		115	False	True	True	
textlist[1323]	Byte		95	False	True	True	
textlist[1324]	Byte		112	False	True	True	
textlist[1325]	Byte		97	False	True	True	
textlist[1326]	Byte		114	False	True	True	
textlist[1327]	Byte		99	False	True	True	
textlist[1328]	Byte		105	False	True	True	
textlist[1329]	Byte		97	False	True	True	
textlist[1330]	Byte		108	False	True	True	
textlist[1331]	Byte		0	False	True	True	
textlist[1332]	Byte		34	False	True	True	
textlist[1333]	Byte		66	False	True	True	
textlist[1334]	Byte		97	False	True	True	
textlist[1335]	Byte		99	False	True	True	
textlist[1336]	Byte		107	False	True	True	
textlist[1337]	Byte		117	False	True	True	
textlist[1338]	Byte		112	False	True	True	
textlist[1339]	Byte		95	False	True	True	
textlist[1340]	Byte		68	False	True	True	
textlist[1341]	Byte		97	False	True	True	
textlist[1342]	Byte		100	False	True	True	
textlist[1343]	Byte		111	False	True	True	
textlist[1344]	Byte		115	False	True	True	
textlist[1345]	Byte		34	False	True	True	
textlist[1346]	Byte		46	False	True	True	
textlist[1347]	Byte		109	False	True	True	
textlist[1348]	Byte		105	False	True	True	
textlist[1349]	Byte		110	False	True	True	
textlist[1350]	Byte		117	False	True	True	
textlist[1351]	Byte		116	False	True	True	
textlist[1352]	Byte		111	False	True	True	
textlist[1353]	Byte		115	False	True	True	
textlist[1354]	Byte		95	False	True	True	
textlist[1355]	Byte		112	False	True	True	
textlist[1356]	Byte		97	False	True	True	
textlist[1357]	Byte		114	False	True	True	
textlist[1358]	Byte		99	False	True	True	
textlist[1359]	Byte		105	False	True	True	
textlist[1360]	Byte		97	False	True	True	
textlist[1361]	Byte		108	False	True	True	
textlist[1362]	Byte		0	False	True	True	
textlist[1363]	Byte		34	False	True	True	
textlist[1364]	Byte		109	False	True	True	

B

C

D

E

F

Owner	Project name	Abastecimento de água V11 - 1212C - Final	Date	6/21/2012
Operator	Project Path	D:\Documents and Settings\Tiago\Desktop\Dissertação Mestrado V11\Abastecimento de água V11 - 1212C - Final		
Designed By	Description 1st	Location		
Checked By	Description 2nd	Language	en-US	
Approved By	1st View	Version	Sheet 12 - 58	

1

2

3

4

A

Name	Data type	Offset	Start value	Retain	Accessible from HMI	Visible in HMI	Comment
textlist[1365]	Byte		111	False	True	True	
textlist[1366]	Byte		100	False	True	True	
textlist[1367]	Byte		111	False	True	True	
textlist[1368]	Byte		95	False	True	True	
textlist[1369]	Byte		49	False	True	True	
textlist[1370]	Byte		95	False	True	True	
textlist[1371]	Byte		119	False	True	True	
textlist[1372]	Byte		101	False	True	True	
textlist[1373]	Byte		98	False	True	True	
textlist[1374]	Byte		34	False	True	True	
textlist[1375]	Byte		0	False	True	True	
textlist[1376]	Byte		34	False	True	True	
textlist[1377]	Byte		109	False	True	True	
textlist[1378]	Byte		111	False	True	True	
textlist[1379]	Byte		100	False	True	True	
textlist[1380]	Byte		111	False	True	True	
textlist[1381]	Byte		95	False	True	True	
textlist[1382]	Byte		50	False	True	True	
textlist[1383]	Byte		95	False	True	True	
textlist[1384]	Byte		119	False	True	True	
textlist[1385]	Byte		101	False	True	True	
textlist[1386]	Byte		98	False	True	True	
textlist[1387]	Byte		34	False	True	True	
textlist[1388]	Byte		0	False	True	True	
textlist[1389]	Byte		34	False	True	True	
textlist[1390]	Byte		109	False	True	True	
textlist[1391]	Byte		111	False	True	True	
textlist[1392]	Byte		100	False	True	True	
textlist[1393]	Byte		111	False	True	True	
textlist[1394]	Byte		95	False	True	True	
textlist[1395]	Byte		51	False	True	True	
textlist[1396]	Byte		95	False	True	True	
textlist[1397]	Byte		119	False	True	True	
textlist[1398]	Byte		101	False	True	True	
textlist[1399]	Byte		98	False	True	True	
textlist[1400]	Byte		34	False	True	True	
textlist[1401]	Byte		0	False	True	True	
textlist[1402]	Byte		34	False	True	True	
textlist[1403]	Byte		109	False	True	True	
textlist[1404]	Byte		111	False	True	True	
textlist[1405]	Byte		100	False	True	True	
textlist[1406]	Byte		111	False	True	True	
textlist[1407]	Byte		95	False	True	True	
textlist[1408]	Byte		52	False	True	True	

B

C

D

E

F

Owner	Project name	Abastecimento de água V11 - 1212C - Final	Date	6/21/2012
Operator	Project Path	D:\Documents and Settings\Tiago\Desktop\Dissertação Mestrado V11\Abastecimento de água V11 - 1212C - Final		
Designed By	Description 1st	Location		
Checked By	Description 2nd	Language	en-US	
Approved By	1st View	Version	Sheet 12 - 59	

1

2

3

4

A

Name	Data type	Offset	Start value	Retain	Accessible from HMI	Visible in HMI	Comment
textlist[1409]	Byte		95	False	True	True	
textlist[1410]	Byte		119	False	True	True	
textlist[1411]	Byte		101	False	True	True	
textlist[1412]	Byte		98	False	True	True	
textlist[1413]	Byte		34	False	True	True	
textlist[1414]	Byte		0	False	True	True	
textlist[1415]	Byte		34	False	True	True	
textlist[1416]	Byte		66	False	True	True	
textlist[1417]	Byte		97	False	True	True	
textlist[1418]	Byte		99	False	True	True	
textlist[1419]	Byte		107	False	True	True	
textlist[1420]	Byte		117	False	True	True	
textlist[1421]	Byte		112	False	True	True	
textlist[1422]	Byte		95	False	True	True	
textlist[1423]	Byte		68	False	True	True	
textlist[1424]	Byte		97	False	True	True	
textlist[1425]	Byte		100	False	True	True	
textlist[1426]	Byte		111	False	True	True	
textlist[1427]	Byte		115	False	True	True	
textlist[1428]	Byte		34	False	True	True	
textlist[1429]	Byte		46	False	True	True	
textlist[1430]	Byte		115	False	True	True	
textlist[1431]	Byte		105	False	True	True	
textlist[1432]	Byte		115	False	True	True	
textlist[1433]	Byte		116	False	True	True	
textlist[1434]	Byte		101	False	True	True	
textlist[1435]	Byte		109	False	True	True	
textlist[1436]	Byte		97	False	True	True	
textlist[1437]	Byte		95	False	True	True	
textlist[1438]	Byte		111	False	True	True	
textlist[1439]	Byte		110	False	True	True	
textlist[1440]	Byte		95	False	True	True	
textlist[1441]	Byte		111	False	True	True	
textlist[1442]	Byte		102	False	True	True	
textlist[1443]	Byte		102	False	True	True	
textlist[1444]	Byte		0	False	True	True	
textlist[1445]	Byte		34	False	True	True	
textlist[1446]	Byte		66	False	True	True	
textlist[1447]	Byte		97	False	True	True	
textlist[1448]	Byte		99	False	True	True	
textlist[1449]	Byte		107	False	True	True	
textlist[1450]	Byte		117	False	True	True	
textlist[1451]	Byte		112	False	True	True	
textlist[1452]	Byte		95	False	True	True	

B

C

D

E

F

Owner	Project name	Abastecimento de água V11 - 1212C - Final	Date	6/21/2012
Operator	Project Path	D:\Documents and Settings\Tiago\Desktop\Dissertação Mestrado V11\Abastecimento de água V11 - 1212C - Final		
Designed By	Description 1st	Location		
Checked By	Description 2nd	Language	en-US	
Approved By	1st View	Version	Sheet 12 - 60	

1

2

3

4

A

Name	Data type	Offset	Start value	Retain	Access- ible from HMI	Visible in HMI	Comment
textlist[1453]	Byte		68	False	True	True	
textlist[1454]	Byte		97	False	True	True	
textlist[1455]	Byte		100	False	True	True	
textlist[1456]	Byte		111	False	True	True	
textlist[1457]	Byte		115	False	True	True	
textlist[1458]	Byte		34	False	True	True	
textlist[1459]	Byte		46	False	True	True	
textlist[1460]	Byte		98	False	True	True	
textlist[1461]	Byte		111	False	True	True	
textlist[1462]	Byte		109	False	True	True	
textlist[1463]	Byte		98	False	True	True	
textlist[1464]	Byte		97	False	True	True	
textlist[1465]	Byte		95	False	True	True	
textlist[1466]	Byte		97	False	True	True	
textlist[1467]	Byte		103	False	True	True	
textlist[1468]	Byte		117	False	True	True	
textlist[1469]	Byte		97	False	True	True	
textlist[1470]	Byte		95	False	True	True	
textlist[1471]	Byte		109	False	True	True	
textlist[1472]	Byte		97	False	True	True	
textlist[1473]	Byte		110	False	True	True	
textlist[1474]	Byte		117	False	True	True	
textlist[1475]	Byte		97	False	True	True	
textlist[1476]	Byte		108	False	True	True	
textlist[1477]	Byte		0	False	True	True	
textlist[1478]	Byte		34	False	True	True	
textlist[1479]	Byte		66	False	True	True	
textlist[1480]	Byte		97	False	True	True	
textlist[1481]	Byte		99	False	True	True	
textlist[1482]	Byte		107	False	True	True	
textlist[1483]	Byte		117	False	True	True	
textlist[1484]	Byte		112	False	True	True	
textlist[1485]	Byte		95	False	True	True	
textlist[1486]	Byte		68	False	True	True	
textlist[1487]	Byte		97	False	True	True	
textlist[1488]	Byte		100	False	True	True	
textlist[1489]	Byte		111	False	True	True	
textlist[1490]	Byte		115	False	True	True	
textlist[1491]	Byte		34	False	True	True	
textlist[1492]	Byte		46	False	True	True	
textlist[1493]	Byte		98	False	True	True	
textlist[1494]	Byte		111	False	True	True	
textlist[1495]	Byte		109	False	True	True	
textlist[1496]	Byte		98	False	True	True	

B

C

D

E

F

Owner	Project name	Abastecimento de água V11 - 1212C - Final	Date	6/21/2012
Operator	Project Path	D:\Documents and Settings\Tiago\Desktop\Dissertação Mestrado V11\Abastecimento de água V11 - 1212C - Final		
Designed By	Description 1st	Location		
Checked By	Description 2nd	Language	en-US	
Approved By	1st View	Version	Sheet 12 - 61	

1

2

3

4

A

Name	Data type	Offset	Start value	Retain	Accessible from HMI	Visible in HMI	Comment
textlist[1497]	Byte		97	False	True	True	
textlist[1498]	Byte		95	False	True	True	
textlist[1499]	Byte		112	False	True	True	
textlist[1500]	Byte		104	False	True	True	
textlist[1501]	Byte		95	False	True	True	
textlist[1502]	Byte		109	False	True	True	
textlist[1503]	Byte		97	False	True	True	
textlist[1504]	Byte		110	False	True	True	
textlist[1505]	Byte		117	False	True	True	
textlist[1506]	Byte		97	False	True	True	
textlist[1507]	Byte		108	False	True	True	
textlist[1508]	Byte		0	False	True	True	
textlist[1509]	Byte		34	False	True	True	
textlist[1510]	Byte		66	False	True	True	
textlist[1511]	Byte		97	False	True	True	
textlist[1512]	Byte		99	False	True	True	
textlist[1513]	Byte		107	False	True	True	
textlist[1514]	Byte		117	False	True	True	
textlist[1515]	Byte		112	False	True	True	
textlist[1516]	Byte		95	False	True	True	
textlist[1517]	Byte		68	False	True	True	
textlist[1518]	Byte		97	False	True	True	
textlist[1519]	Byte		100	False	True	True	
textlist[1520]	Byte		111	False	True	True	
textlist[1521]	Byte		115	False	True	True	
textlist[1522]	Byte		34	False	True	True	
textlist[1523]	Byte		46	False	True	True	
textlist[1524]	Byte		118	False	True	True	
textlist[1525]	Byte		97	False	True	True	
textlist[1526]	Byte		108	False	True	True	
textlist[1527]	Byte		118	False	True	True	
textlist[1528]	Byte		117	False	True	True	
textlist[1529]	Byte		108	False	True	True	
textlist[1530]	Byte		97	False	True	True	
textlist[1531]	Byte		95	False	True	True	
textlist[1532]	Byte		97	False	True	True	
textlist[1533]	Byte		103	False	True	True	
textlist[1534]	Byte		117	False	True	True	
textlist[1535]	Byte		97	False	True	True	
textlist[1536]	Byte		95	False	True	True	
textlist[1537]	Byte		109	False	True	True	
textlist[1538]	Byte		97	False	True	True	
textlist[1539]	Byte		110	False	True	True	
textlist[1540]	Byte		117	False	True	True	

B

C

D

E

F

Owner	Project name	Abastecimento de água V11 - 1212C - Final	Date	6/21/2012
Operator	Project Path	D:\Documents and Settings\Tiago\Desktop\Dissertação Mestrado V11\Abastecimento de água V11 - 1212C - Final		
Designed By	Description 1st	Location		
Checked By	Description 2nd	Language	en-US	
Approved By	1st View	Version	Sheet 12 - 62	

1

2

3

4

A

Name	Data type	Offset	Start value	Retain	Accessible from HMI	Visible in HMI	Comment
textlist[1541]	Byte		97	False	True	True	
textlist[1542]	Byte		108	False	True	True	
textlist[1543]	Byte		0	False	True	True	
textlist[1544]	Byte		34	False	True	True	
textlist[1545]	Byte		66	False	True	True	
textlist[1546]	Byte		97	False	True	True	
textlist[1547]	Byte		99	False	True	True	
textlist[1548]	Byte		107	False	True	True	
textlist[1549]	Byte		117	False	True	True	
textlist[1550]	Byte		112	False	True	True	
textlist[1551]	Byte		95	False	True	True	
textlist[1552]	Byte		68	False	True	True	
textlist[1553]	Byte		97	False	True	True	
textlist[1554]	Byte		100	False	True	True	
textlist[1555]	Byte		111	False	True	True	
textlist[1556]	Byte		115	False	True	True	
textlist[1557]	Byte		34	False	True	True	
textlist[1558]	Byte		46	False	True	True	
textlist[1559]	Byte		118	False	True	True	
textlist[1560]	Byte		101	False	True	True	
textlist[1561]	Byte		108	False	True	True	
textlist[1562]	Byte		111	False	True	True	
textlist[1563]	Byte		99	False	True	True	
textlist[1564]	Byte		105	False	True	True	
textlist[1565]	Byte		100	False	True	True	
textlist[1566]	Byte		97	False	True	True	
textlist[1567]	Byte		100	False	True	True	
textlist[1568]	Byte		101	False	True	True	
textlist[1569]	Byte		95	False	True	True	
textlist[1570]	Byte		98	False	True	True	
textlist[1571]	Byte		111	False	True	True	
textlist[1572]	Byte		109	False	True	True	
textlist[1573]	Byte		98	False	True	True	
textlist[1574]	Byte		97	False	True	True	
textlist[1575]	Byte		95	False	True	True	
textlist[1576]	Byte		112	False	True	True	
textlist[1577]	Byte		104	False	True	True	
textlist[1578]	Byte		95	False	True	True	
textlist[1579]	Byte		99	False	True	True	
textlist[1580]	Byte		111	False	True	True	
textlist[1581]	Byte		110	False	True	True	
textlist[1582]	Byte		115	False	True	True	
textlist[1583]	Byte		111	False	True	True	
textlist[1584]	Byte		108	False	True	True	

B

C

D

E

F

Owner	Project name	Abastecimento de água V11 - 1212C - Final	Date	6/21/2012
Operator	Project Path	D:\Documents and Settings\Tiago\Desktop\Dissertação Mestrado V11\Abastecimento de água V11 - 1212C - Final		
Designed By	Description 1st	Location		
Checked By	Description 2nd	Language	en-US	
Approved By	1st View	Version	Sheet 12 - 63	

1

2

3

4

A

Name	Data type	Offset	Start value	Retain	Access- ible from HMI	Visible in HMI	Comment
textlist[1585]	Byte		97	False	True	True	
textlist[1586]	Byte		95	False	True	True	
textlist[1587]	Byte		109	False	True	True	
textlist[1588]	Byte		97	False	True	True	
textlist[1589]	Byte		110	False	True	True	
textlist[1590]	Byte		117	False	True	True	
textlist[1591]	Byte		97	False	True	True	
textlist[1592]	Byte		108	False	True	True	
textlist[1593]	Byte		0	False	True	True	
textlist[1594]	Byte		34	False	True	True	
textlist[1595]	Byte		66	False	True	True	
textlist[1596]	Byte		97	False	True	True	
textlist[1597]	Byte		99	False	True	True	
textlist[1598]	Byte		107	False	True	True	
textlist[1599]	Byte		117	False	True	True	
textlist[1600]	Byte		112	False	True	True	
textlist[1601]	Byte		95	False	True	True	
textlist[1602]	Byte		68	False	True	True	
textlist[1603]	Byte		97	False	True	True	
textlist[1604]	Byte		100	False	True	True	
textlist[1605]	Byte		111	False	True	True	
textlist[1606]	Byte		115	False	True	True	
textlist[1607]	Byte		34	False	True	True	
textlist[1608]	Byte		46	False	True	True	
textlist[1609]	Byte		111	False	True	True	
textlist[1610]	Byte		112	False	True	True	
textlist[1611]	Byte		99	False	True	True	
textlist[1612]	Byte		97	False	True	True	
textlist[1613]	Byte		111	False	True	True	
textlist[1614]	Byte		95	False	True	True	
textlist[1615]	Byte		109	False	True	True	
textlist[1616]	Byte		111	False	True	True	
textlist[1617]	Byte		100	False	True	True	
textlist[1618]	Byte		111	False	True	True	
textlist[1619]	Byte		95	False	True	True	
textlist[1620]	Byte		102	False	True	True	
textlist[1621]	Byte		117	False	True	True	
textlist[1622]	Byte		110	False	True	True	
textlist[1623]	Byte		99	False	True	True	
textlist[1624]	Byte		105	False	True	True	
textlist[1625]	Byte		111	False	True	True	
textlist[1626]	Byte		110	False	True	True	
textlist[1627]	Byte		97	False	True	True	
textlist[1628]	Byte		109	False	True	True	

B

C

D

E

F

Owner	Project name	Abastecimento de água V11 - 1212C - Final	Date	6/21/2012
Operator	Project Path	D:\Documents and Settings\Tiago\Desktop\Dissertação Mestrado V11\Abastecimento de água V11 - 1212C - Final		
Designed By	Description 1st	Location		
Checked By	Description 2nd	Language	en-US	
Approved By	1st View	Version	Sheet 12 - 64	

1

2

3

4

A

Name	Data type	Offset	Start value	Retain	Access- ible from HMI	Visible in HMI	Comment
textlist[1629]	Byte		101	False	True	True	
textlist[1630]	Byte		110	False	True	True	
textlist[1631]	Byte		116	False	True	True	
textlist[1632]	Byte		111	False	True	True	
textlist[1633]	Byte		0	False	True	True	
textlist[1634]	Byte		34	False	True	True	
textlist[1635]	Byte		73	False	True	True	
textlist[1636]	Byte		110	False	True	True	
textlist[1637]	Byte		102	False	True	True	
textlist[1638]	Byte		111	False	True	True	
textlist[1639]	Byte		95	False	True	True	
textlist[1640]	Byte		83	False	True	True	
textlist[1641]	Byte		105	False	True	True	
textlist[1642]	Byte		115	False	True	True	
textlist[1643]	Byte		116	False	True	True	
textlist[1644]	Byte		101	False	True	True	
textlist[1645]	Byte		109	False	True	True	
textlist[1646]	Byte		97	False	True	True	
textlist[1647]	Byte		34	False	True	True	
textlist[1648]	Byte		46	False	True	True	
textlist[1649]	Byte		77	False	True	True	
textlist[1650]	Byte		111	False	True	True	
textlist[1651]	Byte		100	False	True	True	
textlist[1652]	Byte		111	False	True	True	
textlist[1653]	Byte		95	False	True	True	
textlist[1654]	Byte		100	False	True	True	
textlist[1655]	Byte		101	False	True	True	
textlist[1656]	Byte		95	False	True	True	
textlist[1657]	Byte		70	False	True	True	
textlist[1658]	Byte		117	False	True	True	
textlist[1659]	Byte		110	False	True	True	
textlist[1660]	Byte		99	False	True	True	
textlist[1661]	Byte		105	False	True	True	
textlist[1662]	Byte		111	False	True	True	
textlist[1663]	Byte		110	False	True	True	
textlist[1664]	Byte		97	False	True	True	
textlist[1665]	Byte		109	False	True	True	
textlist[1666]	Byte		101	False	True	True	
textlist[1667]	Byte		110	False	True	True	
textlist[1668]	Byte		116	False	True	True	
textlist[1669]	Byte		111	False	True	True	
textlist[1670]	Byte		0	False	True	True	
textlist[1671]	Byte		34	False	True	True	
textlist[1672]	Byte		73	False	True	True	

B

C

D

E

F

Owner	Project name	Abastecimento de água V11 - 1212C - Final	Date	6/21/2012
Operator	Project Path	D:\Documents and Settings\Tiago\Desktop\Dissertação Mestrado V11\Abastecimento de água V11 - 1212C - Final		
Designed By	Description 1st	Location		
Checked By	Description 2nd	Language	en-US	
Approved By	1st View	Version	Sheet 12 - 65	

1

2

3

4

A

Name	Data type	Offset	Start value	Retain	Access- ible from HMI	Visible in HMI	Comment
textlist[1673]	Byte		110	False	True	True	
textlist[1674]	Byte		102	False	True	True	
textlist[1675]	Byte		111	False	True	True	
textlist[1676]	Byte		95	False	True	True	
textlist[1677]	Byte		83	False	True	True	
textlist[1678]	Byte		105	False	True	True	
textlist[1679]	Byte		115	False	True	True	
textlist[1680]	Byte		116	False	True	True	
textlist[1681]	Byte		101	False	True	True	
textlist[1682]	Byte		109	False	True	True	
textlist[1683]	Byte		97	False	True	True	
textlist[1684]	Byte		34	False	True	True	
textlist[1685]	Byte		46	False	True	True	
textlist[1686]	Byte		66	False	True	True	
textlist[1687]	Byte		111	False	True	True	
textlist[1688]	Byte		109	False	True	True	
textlist[1689]	Byte		98	False	True	True	
textlist[1690]	Byte		97	False	True	True	
textlist[1691]	Byte		95	False	True	True	
textlist[1692]	Byte		65	False	True	True	
textlist[1693]	Byte		103	False	True	True	
textlist[1694]	Byte		117	False	True	True	
textlist[1695]	Byte		97	False	True	True	
textlist[1696]	Byte		0	False	True	True	
textlist[1697]	Byte		34	False	True	True	
textlist[1698]	Byte		73	False	True	True	
textlist[1699]	Byte		110	False	True	True	
textlist[1700]	Byte		102	False	True	True	
textlist[1701]	Byte		111	False	True	True	
textlist[1702]	Byte		95	False	True	True	
textlist[1703]	Byte		83	False	True	True	
textlist[1704]	Byte		105	False	True	True	
textlist[1705]	Byte		115	False	True	True	
textlist[1706]	Byte		116	False	True	True	
textlist[1707]	Byte		101	False	True	True	
textlist[1708]	Byte		109	False	True	True	
textlist[1709]	Byte		97	False	True	True	
textlist[1710]	Byte		34	False	True	True	
textlist[1711]	Byte		46	False	True	True	
textlist[1712]	Byte		66	False	True	True	
textlist[1713]	Byte		111	False	True	True	
textlist[1714]	Byte		109	False	True	True	
textlist[1715]	Byte		98	False	True	True	
textlist[1716]	Byte		97	False	True	True	

B

C

D

E

F

Owner	Project name	Abastecimento de água V11 - 1212C - Final	Date	6/21/2012
Operator	Project Path	D:\Documents and Settings\Tiago\Desktop\Dissertação Mestrado V11\Abastecimento de água V11 - 1212C - Final		
Designed By	Description 1st	Location		
Checked By	Description 2nd	Language	en-US	
Approved By	1st View	Version	Sheet 12 - 66	

1

2

3

4

A

Name	Data type	Offset	Start value	Retain	Accessible from HMI	Visible in HMI	Comment
textlist[1717]	Byte		95	False	True	True	
textlist[1718]	Byte		80	False	True	True	
textlist[1719]	Byte		72	False	True	True	
textlist[1720]	Byte		0	False	True	True	
textlist[1721]	Byte		34	False	True	True	
textlist[1722]	Byte		73	False	True	True	
textlist[1723]	Byte		110	False	True	True	
textlist[1724]	Byte		102	False	True	True	
textlist[1725]	Byte		111	False	True	True	
textlist[1726]	Byte		95	False	True	True	
textlist[1727]	Byte		83	False	True	True	
textlist[1728]	Byte		105	False	True	True	
textlist[1729]	Byte		115	False	True	True	
textlist[1730]	Byte		116	False	True	True	
textlist[1731]	Byte		101	False	True	True	
textlist[1732]	Byte		109	False	True	True	
textlist[1733]	Byte		97	False	True	True	
textlist[1734]	Byte		34	False	True	True	
textlist[1735]	Byte		46	False	True	True	
textlist[1736]	Byte		86	False	True	True	
textlist[1737]	Byte		97	False	True	True	
textlist[1738]	Byte		108	False	True	True	
textlist[1739]	Byte		118	False	True	True	
textlist[1740]	Byte		117	False	True	True	
textlist[1741]	Byte		108	False	True	True	
textlist[1742]	Byte		97	False	True	True	
textlist[1743]	Byte		95	False	True	True	
textlist[1744]	Byte		65	False	True	True	
textlist[1745]	Byte		103	False	True	True	
textlist[1746]	Byte		117	False	True	True	
textlist[1747]	Byte		97	False	True	True	
textlist[1748]	Byte		0	False	True	True	
textlist[1749]	Byte		34	False	True	True	
textlist[1750]	Byte		73	False	True	True	
textlist[1751]	Byte		110	False	True	True	
textlist[1752]	Byte		102	False	True	True	
textlist[1753]	Byte		111	False	True	True	
textlist[1754]	Byte		95	False	True	True	
textlist[1755]	Byte		83	False	True	True	
textlist[1756]	Byte		105	False	True	True	
textlist[1757]	Byte		115	False	True	True	
textlist[1758]	Byte		116	False	True	True	
textlist[1759]	Byte		101	False	True	True	
textlist[1760]	Byte		109	False	True	True	

B

C

D

E

F

Owner	Project name	Abastecimento de água V11 - 1212C - Final	Date	6/21/2012
Operator	Project Path	D:\Documents and Settings\Tiago\Desktop\Dissertação Mestrado V11\Abastecimento de água V11 - 1212C - Final		
Designed By	Description 1st	Location		
Checked By	Description 2nd	Language	en-US	
Approved By	1st View	Version	Sheet 12 - 67	

1

2

3

4

A

Name	Data type	Offset	Start value	Retain	Accessible from HMI	Visible in HMI	Comment
textlist[1761]	Byte		97	False	True	True	
textlist[1762]	Byte		34	False	True	True	
textlist[1763]	Byte		46	False	True	True	
textlist[1764]	Byte		73	False	True	True	
textlist[1765]	Byte		110	False	True	True	
textlist[1766]	Byte		102	False	True	True	
textlist[1767]	Byte		111	False	True	True	
textlist[1768]	Byte		95	False	True	True	
textlist[1769]	Byte		83	False	True	True	
textlist[1770]	Byte		105	False	True	True	
textlist[1771]	Byte		115	False	True	True	
textlist[1772]	Byte		116	False	True	True	
textlist[1773]	Byte		101	False	True	True	
textlist[1774]	Byte		109	False	True	True	
textlist[1775]	Byte		97	False	True	True	
textlist[1776]	Byte		0	False	True	True	
textlist[1777]	Byte		34	False	True	True	
textlist[1778]	Byte		82	False	True	True	
textlist[1779]	Byte		69	False	True	True	
textlist[1780]	Byte		83	False	True	True	
textlist[1781]	Byte		69	False	True	True	
textlist[1782]	Byte		84	False	True	True	
textlist[1783]	Byte		95	False	True	True	
textlist[1784]	Byte		84	False	True	True	
textlist[1785]	Byte		69	False	True	True	
textlist[1786]	Byte		77	False	True	True	
textlist[1787]	Byte		80	False	True	True	
textlist[1788]	Byte		79	False	True	True	
textlist[1789]	Byte		95	False	True	True	
textlist[1790]	Byte		77	False	True	True	
textlist[1791]	Byte		65	False	True	True	
textlist[1792]	Byte		78	False	True	True	
textlist[1793]	Byte		85	False	True	True	
textlist[1794]	Byte		84	False	True	True	
textlist[1795]	Byte		69	False	True	True	
textlist[1796]	Byte		78	False	True	True	
textlist[1797]	Byte		67	False	True	True	
textlist[1798]	Byte		65	False	True	True	
textlist[1799]	Byte		79	False	True	True	
textlist[1800]	Byte		95	False	True	True	
textlist[1801]	Byte		67	False	True	True	
textlist[1802]	Byte		79	False	True	True	
textlist[1803]	Byte		78	False	True	True	
textlist[1804]	Byte		83	False	True	True	

B

C

D

E

F

Owner	Project name	Abastecimento de água V11 - 1212C - Final	Date	6/21/2012
Operator	Project Path	D:\Documents and Settings\Tiago\Desktop\Dissertação Mestrado V11\Abastecimento de água V11 - 1212C - Final		
Designed By	Description 1st	Location		
Checked By	Description 2nd	Language	en-US	
Approved By	1st View	Version	Sheet 12 - 68	

1

2

3

4

A

Name	Data type	Offset	Start value	Retain	Access- ible from HMI	Visible in HMI	Comment
textlist[1805]	Byte		79	False	True	True	
textlist[1806]	Byte		76	False	True	True	
textlist[1807]	Byte		65	False	True	True	
textlist[1808]	Byte		34	False	True	True	
textlist[1809]	Byte		0	False	True	True	
textlist[1810]	Byte		34	False	True	True	
textlist[1811]	Byte		66	False	True	True	
textlist[1812]	Byte		97	False	True	True	
textlist[1813]	Byte		99	False	True	True	
textlist[1814]	Byte		107	False	True	True	
textlist[1815]	Byte		117	False	True	True	
textlist[1816]	Byte		112	False	True	True	
textlist[1817]	Byte		95	False	True	True	
textlist[1818]	Byte		68	False	True	True	
textlist[1819]	Byte		97	False	True	True	
textlist[1820]	Byte		100	False	True	True	
textlist[1821]	Byte		111	False	True	True	
textlist[1822]	Byte		115	False	True	True	
textlist[1823]	Byte		34	False	True	True	
textlist[1824]	Byte		46	False	True	True	
textlist[1825]	Byte		109	False	True	True	
textlist[1826]	Byte		97	False	True	True	
textlist[1827]	Byte		110	False	True	True	
textlist[1828]	Byte		117	False	True	True	
textlist[1829]	Byte		116	False	True	True	
textlist[1830]	Byte		101	False	True	True	
textlist[1831]	Byte		110	False	True	True	
textlist[1832]	Byte		99	False	True	True	
textlist[1833]	Byte		97	False	True	True	
textlist[1834]	Byte		111	False	True	True	
textlist[1835]	Byte		0	False	True	True	
textlist[1836]	Byte		34	False	True	True	
textlist[1837]	Byte		82	False	True	True	
textlist[1838]	Byte		69	False	True	True	
textlist[1839]	Byte		83	False	True	True	
textlist[1840]	Byte		69	False	True	True	
textlist[1841]	Byte		84	False	True	True	
textlist[1842]	Byte		95	False	True	True	
textlist[1843]	Byte		68	False	True	True	
textlist[1844]	Byte		69	False	True	True	
textlist[1845]	Byte		70	False	True	True	
textlist[1846]	Byte		73	False	True	True	
textlist[1847]	Byte		78	False	True	True	
textlist[1848]	Byte		73	False	True	True	

B

C

D

E

F

Owner

Project name Abastecimento de água V11 - 1212C - Final

Date 6/21/2012

Operator

Project Path
D:\Documents and Settings\Tiago\Desktop\Dissertação Mestrado
V11\Abastecimento de água V11 - 1212C - Final

Location

Designed By

Description 1st

Checked By

Description 2nd

Language en-US

Approved By

1st View

Version

Sheet 12 - 69

1

2

3

4

A

Name	Data type	Offset	Start value	Retain	Access- ible from HMI	Visible in HMI	Comment
textlist[1849]	Byte		67	False	True	True	
textlist[1850]	Byte		79	False	True	True	
textlist[1851]	Byte		69	False	True	True	
textlist[1852]	Byte		83	False	True	True	
textlist[1853]	Byte		95	False	True	True	
textlist[1854]	Byte		79	False	True	True	
textlist[1855]	Byte		82	False	True	True	
textlist[1856]	Byte		73	False	True	True	
textlist[1857]	Byte		71	False	True	True	
textlist[1858]	Byte		69	False	True	True	
textlist[1859]	Byte		77	False	True	True	
textlist[1860]	Byte		34	False	True	True	
textlist[1861]	Byte		0	False	True	True	
textlist[1862]	Byte		34	False	True	True	
textlist[1863]	Byte		66	False	True	True	
textlist[1864]	Byte		97	False	True	True	
textlist[1865]	Byte		99	False	True	True	
textlist[1866]	Byte		107	False	True	True	
textlist[1867]	Byte		117	False	True	True	
textlist[1868]	Byte		112	False	True	True	
textlist[1869]	Byte		95	False	True	True	
textlist[1870]	Byte		68	False	True	True	
textlist[1871]	Byte		97	False	True	True	
textlist[1872]	Byte		100	False	True	True	
textlist[1873]	Byte		111	False	True	True	
textlist[1874]	Byte		115	False	True	True	
textlist[1875]	Byte		34	False	True	True	
textlist[1876]	Byte		46	False	True	True	
textlist[1877]	Byte		115	False	True	True	
textlist[1878]	Byte		101	False	True	True	
textlist[1879]	Byte		116	False	True	True	
textlist[1880]	Byte		95	False	True	True	
textlist[1881]	Byte		112	False	True	True	
textlist[1882]	Byte		111	False	True	True	
textlist[1883]	Byte		105	False	True	True	
textlist[1884]	Byte		110	False	True	True	
textlist[1885]	Byte		116	False	True	True	
textlist[1886]	Byte		95	False	True	True	
textlist[1887]	Byte		112	False	True	True	
textlist[1888]	Byte		104	False	True	True	
textlist[1889]	Byte		95	False	True	True	
textlist[1890]	Byte		99	False	True	True	
textlist[1891]	Byte		111	False	True	True	
textlist[1892]	Byte		110	False	True	True	

B

C

D

E

F

Owner	Project name	Abastecimento de água V11 - 1212C - Final	Date	6/21/2012
Operator	Project Path	D:\Documents and Settings\Tiago\Desktop\Dissertação Mestrado V11\Abastecimento de água V11 - 1212C - Final		
Designed By	Description 1st	Location		
Checked By	Description 2nd	Language	en-US	
Approved By	1st View	Version	Sheet 12 - 70	

1

2

3

4

A

Name	Data type	Offset	Start value	Retain	Access- ible from HMI	Visible in HMI	Comment
textlist[1893]	Byte		115	False	True	True	
textlist[1894]	Byte		111	False	True	True	
textlist[1895]	Byte		108	False	True	True	
textlist[1896]	Byte		97	False	True	True	
textlist[1897]	Byte		0	False	True	True	
textlist[1898]	Byte		34	False	True	True	
textlist[1899]	Byte		66	False	True	True	
textlist[1900]	Byte		97	False	True	True	
textlist[1901]	Byte		99	False	True	True	
textlist[1902]	Byte		107	False	True	True	
textlist[1903]	Byte		117	False	True	True	
textlist[1904]	Byte		112	False	True	True	
textlist[1905]	Byte		95	False	True	True	
textlist[1906]	Byte		68	False	True	True	
textlist[1907]	Byte		97	False	True	True	
textlist[1908]	Byte		100	False	True	True	
textlist[1909]	Byte		111	False	True	True	
textlist[1910]	Byte		115	False	True	True	
textlist[1911]	Byte		34	False	True	True	
textlist[1912]	Byte		46	False	True	True	
textlist[1913]	Byte		111	False	True	True	
textlist[1914]	Byte		112	False	True	True	
textlist[1915]	Byte		99	False	True	True	
textlist[1916]	Byte		97	False	True	True	
textlist[1917]	Byte		111	False	True	True	
textlist[1918]	Byte		95	False	True	True	
textlist[1919]	Byte		97	False	True	True	
textlist[1920]	Byte		108	False	True	True	
textlist[1921]	Byte		101	False	True	True	
textlist[1922]	Byte		114	False	True	True	
textlist[1923]	Byte		116	False	True	True	
textlist[1924]	Byte		97	False	True	True	
textlist[1925]	Byte		95	False	True	True	
textlist[1926]	Byte		112	False	True	True	
textlist[1927]	Byte		104	False	True	True	
textlist[1928]	Byte		0	False	True	True	
textlist[1929]	Byte		34	False	True	True	
textlist[1930]	Byte		66	False	True	True	
textlist[1931]	Byte		97	False	True	True	
textlist[1932]	Byte		99	False	True	True	
textlist[1933]	Byte		107	False	True	True	
textlist[1934]	Byte		117	False	True	True	
textlist[1935]	Byte		112	False	True	True	
textlist[1936]	Byte		95	False	True	True	

B

C

D

E

F

Owner	Project name	Abastecimento de água V11 - 1212C - Final	Date	6/21/2012
Operator	Project Path	D:\Documents and Settings\Tiago\Desktop\Dissertação Mestrado V11\Abastecimento de água V11 - 1212C - Final		
Designed By	Description 1st	Location		
Checked By	Description 2nd	Language	en-US	
Approved By	1st View	Version	Sheet 12 - 71	

1

2

3

4

A

Name	Data type	Offset	Start value	Retain	Accessible from HMI	Visible in HMI	Comment
textlist[1937]	Byte		68	False	True	True	
textlist[1938]	Byte		97	False	True	True	
textlist[1939]	Byte		100	False	True	True	
textlist[1940]	Byte		111	False	True	True	
textlist[1941]	Byte		115	False	True	True	
textlist[1942]	Byte		34	False	True	True	
textlist[1943]	Byte		46	False	True	True	
textlist[1944]	Byte		111	False	True	True	
textlist[1945]	Byte		112	False	True	True	
textlist[1946]	Byte		99	False	True	True	
textlist[1947]	Byte		97	False	True	True	
textlist[1948]	Byte		111	False	True	True	
textlist[1949]	Byte		95	False	True	True	
textlist[1950]	Byte		97	False	True	True	
textlist[1951]	Byte		108	False	True	True	
textlist[1952]	Byte		97	False	True	True	
textlist[1953]	Byte		114	False	True	True	
textlist[1954]	Byte		109	False	True	True	
textlist[1955]	Byte		101	False	True	True	
textlist[1956]	Byte		95	False	True	True	
textlist[1957]	Byte		112	False	True	True	
textlist[1958]	Byte		104	False	True	True	
textlist[1959]	Byte		0	False	True	True	
textlist[1960]	Byte		34	False	True	True	
textlist[1961]	Byte		66	False	True	True	
textlist[1962]	Byte		97	False	True	True	
textlist[1963]	Byte		99	False	True	True	
textlist[1964]	Byte		107	False	True	True	
textlist[1965]	Byte		117	False	True	True	
textlist[1966]	Byte		112	False	True	True	
textlist[1967]	Byte		95	False	True	True	
textlist[1968]	Byte		68	False	True	True	
textlist[1969]	Byte		97	False	True	True	
textlist[1970]	Byte		100	False	True	True	
textlist[1971]	Byte		111	False	True	True	
textlist[1972]	Byte		115	False	True	True	
textlist[1973]	Byte		34	False	True	True	
textlist[1974]	Byte		46	False	True	True	
textlist[1975]	Byte		98	False	True	True	
textlist[1976]	Byte		105	False	True	True	
textlist[1977]	Byte		116	False	True	True	
textlist[1978]	Byte		95	False	True	True	
textlist[1979]	Byte		97	False	True	True	
textlist[1980]	Byte		117	False	True	True	

B

C

D

E

F

Owner	Project name	Abastecimento de água V11 - 1212C - Final	Date	6/21/2012
Operator	Project Path	D:\Documents and Settings\Tiago\Desktop\Dissertação Mestrado V11\Abastecimento de água V11 - 1212C - Final		
Designed By	Description 1st	Location		
Checked By	Description 2nd	Language	en-US	
Approved By	1st View	Version	Sheet 12 - 72	

1

2

3

4

A

Name	Data type	Offset	Start value	Retain	Accessible from HMI	Visible in HMI	Comment
textlist[1981]	Byte		116	False	True	True	
textlist[1982]	Byte		111	False	True	True	
textlist[1983]	Byte		95	False	True	True	
textlist[1984]	Byte		112	False	True	True	
textlist[1985]	Byte		104	False	True	True	
textlist[1986]	Byte		0	False	True	True	
textlist[1987]	Byte		34	False	True	True	
textlist[1988]	Byte		73	False	True	True	
textlist[1989]	Byte		110	False	True	True	
textlist[1990]	Byte		102	False	True	True	
textlist[1991]	Byte		111	False	True	True	
textlist[1992]	Byte		95	False	True	True	
textlist[1993]	Byte		83	False	True	True	
textlist[1994]	Byte		105	False	True	True	
textlist[1995]	Byte		115	False	True	True	
textlist[1996]	Byte		116	False	True	True	
textlist[1997]	Byte		101	False	True	True	
textlist[1998]	Byte		109	False	True	True	
textlist[1999]	Byte		97	False	True	True	
textlist[2000]	Byte		34	False	True	True	
textlist[2001]	Byte		46	False	True	True	
textlist[2002]	Byte		66	False	True	True	
textlist[2003]	Byte		105	False	True	True	
textlist[2004]	Byte		116	False	True	True	
textlist[2005]	Byte		95	False	True	True	
textlist[2006]	Byte		65	False	True	True	
textlist[2007]	Byte		117	False	True	True	
textlist[2008]	Byte		116	False	True	True	
textlist[2009]	Byte		111	False	True	True	
textlist[2010]	Byte		95	False	True	True	
textlist[2011]	Byte		80	False	True	True	
textlist[2012]	Byte		72	False	True	True	
textlist[2013]	Byte		0	False	True	True	
textlist[2014]	Byte		34	False	True	True	
textlist[2015]	Byte		66	False	True	True	
textlist[2016]	Byte		97	False	True	True	
textlist[2017]	Byte		99	False	True	True	
textlist[2018]	Byte		107	False	True	True	
textlist[2019]	Byte		117	False	True	True	
textlist[2020]	Byte		112	False	True	True	
textlist[2021]	Byte		95	False	True	True	
textlist[2022]	Byte		68	False	True	True	
textlist[2023]	Byte		97	False	True	True	
textlist[2024]	Byte		100	False	True	True	

B

C

D

E

F

Owner	Project name	Abastecimento de água V11 - 1212C - Final	Date	6/21/2012
Operator	Project Path	D:\Documents and Settings\Tiago\Desktop\Dissertação Mestrado V11\Abastecimento de água V11 - 1212C - Final		
Designed By	Description 1st	Location		
Checked By	Description 2nd	Language	en-US	
Approved By	1st View	Version	Sheet 12 - 73	

1

2

3

4

A

Name	Data type	Offset	Start value	Retain	Access- ible from HMI	Visible in HMI	Comment
textlist[2025]	Byte		111	False	True	True	
textlist[2026]	Byte		115	False	True	True	
textlist[2027]	Byte		34	False	True	True	
textlist[2028]	Byte		46	False	True	True	
textlist[2029]	Byte		115	False	True	True	
textlist[2030]	Byte		101	False	True	True	
textlist[2031]	Byte		116	False	True	True	
textlist[2032]	Byte		95	False	True	True	
textlist[2033]	Byte		112	False	True	True	
textlist[2034]	Byte		111	False	True	True	
textlist[2035]	Byte		105	False	True	True	
textlist[2036]	Byte		110	False	True	True	
textlist[2037]	Byte		116	False	True	True	
textlist[2038]	Byte		95	False	True	True	
textlist[2039]	Byte		97	False	True	True	
textlist[2040]	Byte		103	False	True	True	
textlist[2041]	Byte		117	False	True	True	
textlist[2042]	Byte		97	False	True	True	
textlist[2043]	Byte		95	False	True	True	
textlist[2044]	Byte		109	False	True	True	
textlist[2045]	Byte		111	False	True	True	
textlist[2046]	Byte		100	False	True	True	
textlist[2047]	Byte		111	False	True	True	
textlist[2048]	Byte		95	False	True	True	
textlist[2049]	Byte		50	False	True	True	
textlist[2050]	Byte		0	False	True	True	
textlist[2051]	Byte		34	False	True	True	
textlist[2052]	Byte		66	False	True	True	
textlist[2053]	Byte		97	False	True	True	
textlist[2054]	Byte		99	False	True	True	
textlist[2055]	Byte		107	False	True	True	
textlist[2056]	Byte		117	False	True	True	
textlist[2057]	Byte		112	False	True	True	
textlist[2058]	Byte		95	False	True	True	
textlist[2059]	Byte		68	False	True	True	
textlist[2060]	Byte		97	False	True	True	
textlist[2061]	Byte		100	False	True	True	
textlist[2062]	Byte		111	False	True	True	
textlist[2063]	Byte		115	False	True	True	
textlist[2064]	Byte		34	False	True	True	
textlist[2065]	Byte		46	False	True	True	
textlist[2066]	Byte		115	False	True	True	
textlist[2067]	Byte		101	False	True	True	
textlist[2068]	Byte		116	False	True	True	

B

C

D

E

F

Owner	Project name	Abastecimento de água V11 - 1212C - Final	Date	6/21/2012
Operator	Project Path	D:\Documents and Settings\Tiago\Desktop\Dissertação Mestrado V11\Abastecimento de água V11 - 1212C - Final		
Designed By	Description 1st	Location		
Checked By	Description 2nd	Language	en-US	
Approved By	1st View	Version	Sheet 12 - 74	

1

2

3

4

A

Name	Data type	Offset	Start value	Retain	Accessible from HMI	Visible in HMI	Comment
textlist[2069]	Byte		95	False	True	True	
textlist[2070]	Byte		112	False	True	True	
textlist[2071]	Byte		111	False	True	True	
textlist[2072]	Byte		105	False	True	True	
textlist[2073]	Byte		110	False	True	True	
textlist[2074]	Byte		116	False	True	True	
textlist[2075]	Byte		95	False	True	True	
textlist[2076]	Byte		97	False	True	True	
textlist[2077]	Byte		103	False	True	True	
textlist[2078]	Byte		117	False	True	True	
textlist[2079]	Byte		97	False	True	True	
textlist[2080]	Byte		95	False	True	True	
textlist[2081]	Byte		109	False	True	True	
textlist[2082]	Byte		111	False	True	True	
textlist[2083]	Byte		100	False	True	True	
textlist[2084]	Byte		111	False	True	True	
textlist[2085]	Byte		95	False	True	True	
textlist[2086]	Byte		52	False	True	True	
textlist[2087]	Byte		0	False	True	True	
textlist[2088]	Byte		34	False	True	True	
textlist[2089]	Byte		66	False	True	True	
textlist[2090]	Byte		97	False	True	True	
textlist[2091]	Byte		99	False	True	True	
textlist[2092]	Byte		107	False	True	True	
textlist[2093]	Byte		117	False	True	True	
textlist[2094]	Byte		112	False	True	True	
textlist[2095]	Byte		95	False	True	True	
textlist[2096]	Byte		68	False	True	True	
textlist[2097]	Byte		97	False	True	True	
textlist[2098]	Byte		100	False	True	True	
textlist[2099]	Byte		111	False	True	True	
textlist[2100]	Byte		115	False	True	True	
textlist[2101]	Byte		34	False	True	True	
textlist[2102]	Byte		46	False	True	True	
textlist[2103]	Byte		100	False	True	True	
textlist[2104]	Byte		105	False	True	True	
textlist[2105]	Byte		102	False	True	True	
textlist[2106]	Byte		101	False	True	True	
textlist[2107]	Byte		114	False	True	True	
textlist[2108]	Byte		101	False	True	True	
textlist[2109]	Byte		110	False	True	True	
textlist[2110]	Byte		99	False	True	True	
textlist[2111]	Byte		105	False	True	True	
textlist[2112]	Byte		97	False	True	True	

B

C

D

E

F

Owner	Project name	Abastecimento de água V11 - 1212C - Final	Date	6/21/2012
Operator	Project Path	D:\Documents and Settings\Tiago\Desktop\Dissertação Mestrado V11\Abastecimento de água V11 - 1212C - Final		
Designed By	Description 1st	Location		
Checked By	Description 2nd	Language	en-US	
Approved By	1st View	Version	Sheet 12 - 75	

1

2

3

4

A

Name	Data type	Offset	Start value	Retain	Access- ible from HMI	Visible in HMI	Comment
textlist[2113]	Byte		108	False	True	True	
textlist[2114]	Byte		95	False	True	True	
textlist[2115]	Byte		109	False	True	True	
textlist[2116]	Byte		111	False	True	True	
textlist[2117]	Byte		100	False	True	True	
textlist[2118]	Byte		111	False	True	True	
textlist[2119]	Byte		95	False	True	True	
textlist[2120]	Byte		51	False	True	True	
textlist[2121]	Byte		0	False	True	True	
textlist[2122]	Byte		34	False	True	True	
textlist[2123]	Byte		82	False	True	True	
textlist[2124]	Byte		69	False	True	True	
textlist[2125]	Byte		83	False	True	True	
textlist[2126]	Byte		69	False	True	True	
textlist[2127]	Byte		84	False	True	True	
textlist[2128]	Byte		95	False	True	True	
textlist[2129]	Byte		65	False	True	True	
textlist[2130]	Byte		71	False	True	True	
textlist[2131]	Byte		85	False	True	True	
textlist[2132]	Byte		65	False	True	True	
textlist[2133]	Byte		34	False	True	True	
textlist[2134]	Byte		0	False	True	True	
textlist[2135]	Byte		34	False	True	True	
textlist[2136]	Byte		66	False	True	True	
textlist[2137]	Byte		97	False	True	True	
textlist[2138]	Byte		99	False	True	True	
textlist[2139]	Byte		107	False	True	True	
textlist[2140]	Byte		117	False	True	True	
textlist[2141]	Byte		112	False	True	True	
textlist[2142]	Byte		95	False	True	True	
textlist[2143]	Byte		68	False	True	True	
textlist[2144]	Byte		97	False	True	True	
textlist[2145]	Byte		100	False	True	True	
textlist[2146]	Byte		111	False	True	True	
textlist[2147]	Byte		115	False	True	True	
textlist[2148]	Byte		34	False	True	True	
textlist[2149]	Byte		46	False	True	True	
textlist[2150]	Byte		97	False	True	True	
textlist[2151]	Byte		103	False	True	True	
textlist[2152]	Byte		117	False	True	True	
textlist[2153]	Byte		97	False	True	True	
textlist[2154]	Byte		95	False	True	True	
textlist[2155]	Byte		116	False	True	True	
textlist[2156]	Byte		111	False	True	True	

B

C

D

E

F

Owner	Project name	Abastecimento de água V11 - 1212C - Final	Date	6/21/2012
Operator	Project Path	D:\Documents and Settings\Tiago\Desktop\Dissertação Mestrado V11\Abastecimento de água V11 - 1212C - Final		
Designed By	Description 1st	Location		
Checked By	Description 2nd	Language	en-US	
Approved By	1st View	Version	Sheet 12 - 76	

1

2

3

4

A

Name	Data type	Offset	Start value	Retain	Accessible from HMI	Visible in HMI	Comment
textlist[2157]	Byte		116	False	True	True	
textlist[2158]	Byte		97	False	True	True	
textlist[2159]	Byte		108	False	True	True	
textlist[2160]	Byte		0	False	True	True	
textlist[2161]	Byte		34	False	True	True	
textlist[2162]	Byte		66	False	True	True	
textlist[2163]	Byte		97	False	True	True	
textlist[2164]	Byte		99	False	True	True	
textlist[2165]	Byte		107	False	True	True	
textlist[2166]	Byte		117	False	True	True	
textlist[2167]	Byte		112	False	True	True	
textlist[2168]	Byte		95	False	True	True	
textlist[2169]	Byte		68	False	True	True	
textlist[2170]	Byte		97	False	True	True	
textlist[2171]	Byte		100	False	True	True	
textlist[2172]	Byte		111	False	True	True	
textlist[2173]	Byte		115	False	True	True	
textlist[2174]	Byte		34	False	True	True	
textlist[2175]	Byte		46	False	True	True	
textlist[2176]	Byte		97	False	True	True	
textlist[2177]	Byte		103	False	True	True	
textlist[2178]	Byte		117	False	True	True	
textlist[2179]	Byte		97	False	True	True	
textlist[2180]	Byte		95	False	True	True	
textlist[2181]	Byte		112	False	True	True	
textlist[2182]	Byte		97	False	True	True	
textlist[2183]	Byte		114	False	True	True	
textlist[2184]	Byte		99	False	True	True	
textlist[2185]	Byte		105	False	True	True	
textlist[2186]	Byte		97	False	True	True	
textlist[2187]	Byte		108	False	True	True	
textlist[2188]	Byte		0	False	True	True	
textlist[2189]	Byte		34	False	True	True	
textlist[2190]	Byte		73	False	True	True	
textlist[2191]	Byte		110	False	True	True	
textlist[2192]	Byte		102	False	True	True	
textlist[2193]	Byte		111	False	True	True	
textlist[2194]	Byte		95	False	True	True	
textlist[2195]	Byte		83	False	True	True	
textlist[2196]	Byte		105	False	True	True	
textlist[2197]	Byte		115	False	True	True	
textlist[2198]	Byte		116	False	True	True	
textlist[2199]	Byte		101	False	True	True	
textlist[2200]	Byte		109	False	True	True	

B

C

D

E

F

Owner	Project name	Abastecimento de água V11 - 1212C - Final	Date	6/21/2012
Operator	Project Path	D:\Documents and Settings\Tiago\Desktop\Dissertação Mestrado V11\Abastecimento de água V11 - 1212C - Final		
Designed By	Description 1st	Location		
Checked By	Description 2nd	Language	en-US	
Approved By	1st View	Version	Sheet 12 - 77	

1

2

3

4

A

Name	Data type	Offset	Start value	Retain	Accessible from HMI	Visible in HMI	Comment
textlist[2201]	Byte		97	False	True	True	
textlist[2202]	Byte		34	False	True	True	
textlist[2203]	Byte		46	False	True	True	
textlist[2204]	Byte		69	False	True	True	
textlist[2205]	Byte		114	False	True	True	
textlist[2206]	Byte		114	False	True	True	
textlist[2207]	Byte		111	False	True	True	
textlist[2208]	Byte		95	False	True	True	
textlist[2209]	Byte		78	False	True	True	
textlist[2210]	Byte		105	False	True	True	
textlist[2211]	Byte		118	False	True	True	
textlist[2212]	Byte		101	False	True	True	
textlist[2213]	Byte		108	False	True	True	
textlist[2214]	Byte		95	False	True	True	
textlist[2215]	Byte		77	False	True	True	
textlist[2216]	Byte		111	False	True	True	
textlist[2217]	Byte		100	False	True	True	
textlist[2218]	Byte		111	False	True	True	
textlist[2219]	Byte		95	False	True	True	
textlist[2220]	Byte		50	False	True	True	
textlist[2221]	Byte		0	False	True	True	
textlist[2222]	Byte		34	False	True	True	
textlist[2223]	Byte		73	False	True	True	
textlist[2224]	Byte		110	False	True	True	
textlist[2225]	Byte		102	False	True	True	
textlist[2226]	Byte		111	False	True	True	
textlist[2227]	Byte		95	False	True	True	
textlist[2228]	Byte		83	False	True	True	
textlist[2229]	Byte		105	False	True	True	
textlist[2230]	Byte		115	False	True	True	
textlist[2231]	Byte		116	False	True	True	
textlist[2232]	Byte		101	False	True	True	
textlist[2233]	Byte		109	False	True	True	
textlist[2234]	Byte		97	False	True	True	
textlist[2235]	Byte		34	False	True	True	
textlist[2236]	Byte		46	False	True	True	
textlist[2237]	Byte		69	False	True	True	
textlist[2238]	Byte		114	False	True	True	
textlist[2239]	Byte		114	False	True	True	
textlist[2240]	Byte		111	False	True	True	
textlist[2241]	Byte		95	False	True	True	
textlist[2242]	Byte		68	False	True	True	
textlist[2243]	Byte		105	False	True	True	
textlist[2244]	Byte		102	False	True	True	

B

C

D

E

F

Owner

Project name Abastecimento de água V11 - 1212C - Final

Date 6/21/2012

Operator

Project Path
D:\Documents and Settings\Tiago\Desktop\Dissertação Mestrado
V11\Abastecimento de água V11 - 1212C - Final

Location

Designed By

Description 1st

Checked By

Description 2nd

Language en-US

Approved By

1st View

Version

Sheet 12 - 78

1

2

3

4

A

Name	Data type	Offset	Start value	Retain	Accessible from HMI	Visible in HMI	Comment
textlist[2245]	Byte		101	False	True	True	
textlist[2246]	Byte		114	False	True	True	
textlist[2247]	Byte		101	False	True	True	
textlist[2248]	Byte		110	False	True	True	
textlist[2249]	Byte		99	False	True	True	
textlist[2250]	Byte		105	False	True	True	
textlist[2251]	Byte		97	False	True	True	
textlist[2252]	Byte		108	False	True	True	
textlist[2253]	Byte		95	False	True	True	
textlist[2254]	Byte		77	False	True	True	
textlist[2255]	Byte		111	False	True	True	
textlist[2256]	Byte		100	False	True	True	
textlist[2257]	Byte		111	False	True	True	
textlist[2258]	Byte		95	False	True	True	
textlist[2259]	Byte		51	False	True	True	
textlist[2260]	Byte		0	False	True	True	
textlist[2261]	Byte		34	False	True	True	
textlist[2262]	Byte		73	False	True	True	
textlist[2263]	Byte		110	False	True	True	
textlist[2264]	Byte		102	False	True	True	
textlist[2265]	Byte		111	False	True	True	
textlist[2266]	Byte		95	False	True	True	
textlist[2267]	Byte		83	False	True	True	
textlist[2268]	Byte		105	False	True	True	
textlist[2269]	Byte		115	False	True	True	
textlist[2270]	Byte		116	False	True	True	
textlist[2271]	Byte		101	False	True	True	
textlist[2272]	Byte		109	False	True	True	
textlist[2273]	Byte		97	False	True	True	
textlist[2274]	Byte		34	False	True	True	
textlist[2275]	Byte		46	False	True	True	
textlist[2276]	Byte		69	False	True	True	
textlist[2277]	Byte		114	False	True	True	
textlist[2278]	Byte		114	False	True	True	
textlist[2279]	Byte		111	False	True	True	
textlist[2280]	Byte		95	False	True	True	
textlist[2281]	Byte		78	False	True	True	
textlist[2282]	Byte		105	False	True	True	
textlist[2283]	Byte		118	False	True	True	
textlist[2284]	Byte		101	False	True	True	
textlist[2285]	Byte		108	False	True	True	
textlist[2286]	Byte		95	False	True	True	
textlist[2287]	Byte		77	False	True	True	
textlist[2288]	Byte		111	False	True	True	

B

C

D

E

F

Owner	Project name	Abastecimento de água V11 - 1212C - Final	Date	6/21/2012
Operator	Project Path	D:\Documents and Settings\Tiago\Desktop\Dissertação Mestrado V11\Abastecimento de água V11 - 1212C - Final		
Designed By	Description 1st	Location		
Checked By	Description 2nd	Language	en-US	
Approved By	1st View	Version	Sheet 12 - 79	

1

2

3

4

A

Name	Data type	Offset	Start value	Retain	Accessible from HMI	Visible in HMI	Comment
textlist[2289]	Byte		100	False	True	True	
textlist[2290]	Byte		111	False	True	True	
textlist[2291]	Byte		95	False	True	True	
textlist[2292]	Byte		52	False	True	True	
textlist[2293]	Byte		0	False	True	True	
textlist[2294]	Byte		34	False	True	True	
textlist[2295]	Byte		73	False	True	True	
textlist[2296]	Byte		110	False	True	True	
textlist[2297]	Byte		102	False	True	True	
textlist[2298]	Byte		111	False	True	True	
textlist[2299]	Byte		95	False	True	True	
textlist[2300]	Byte		83	False	True	True	
textlist[2301]	Byte		105	False	True	True	
textlist[2302]	Byte		115	False	True	True	
textlist[2303]	Byte		116	False	True	True	
textlist[2304]	Byte		101	False	True	True	
textlist[2305]	Byte		109	False	True	True	
textlist[2306]	Byte		97	False	True	True	
textlist[2307]	Byte		34	False	True	True	
textlist[2308]	Byte		46	False	True	True	
textlist[2309]	Byte		73	False	True	True	
textlist[2310]	Byte		110	False	True	True	
textlist[2311]	Byte		102	False	True	True	
textlist[2312]	Byte		111	False	True	True	
textlist[2313]	Byte		95	False	True	True	
textlist[2314]	Byte		83	False	True	True	
textlist[2315]	Byte		105	False	True	True	
textlist[2316]	Byte		115	False	True	True	
textlist[2317]	Byte		116	False	True	True	
textlist[2318]	Byte		101	False	True	True	
textlist[2319]	Byte		109	False	True	True	
textlist[2320]	Byte		97	False	True	True	
textlist[2321]	Byte		0	False	True	True	
textlist[2322]	Byte		34	False	True	True	
textlist[2323]	Byte		69	False	True	True	
textlist[2324]	Byte		115	False	True	True	
textlist[2325]	Byte		116	False	True	True	
textlist[2326]	Byte		97	False	True	True	
textlist[2327]	Byte		100	False	True	True	
textlist[2328]	Byte		111	False	True	True	
textlist[2329]	Byte		95	False	True	True	
textlist[2330]	Byte		70	False	True	True	
textlist[2331]	Byte		117	False	True	True	
textlist[2332]	Byte		110	False	True	True	

B

C

D

E

F

Owner	Project name	Abastecimento de água V11 - 1212C - Final	Date	6/21/2012
Operator	Project Path	D:\Documents and Settings\Tiago\Desktop\Dissertação Mestrado V11\Abastecimento de água V11 - 1212C - Final		
Designed By	Description 1st	Location		
Checked By	Description 2nd	Language	en-US	
Approved By	1st View	Version	Sheet 12 - 80	

1

2

3

4

A

Name	Data type	Offset	Start value	Retain	Accessible from HMI	Visible in HMI	Comment
textlist[2333]	Byte		99	False	True	True	
textlist[2334]	Byte		105	False	True	True	
textlist[2335]	Byte		111	False	True	True	
textlist[2336]	Byte		110	False	True	True	
textlist[2337]	Byte		97	False	True	True	
textlist[2338]	Byte		109	False	True	True	
textlist[2339]	Byte		101	False	True	True	
textlist[2340]	Byte		110	False	True	True	
textlist[2341]	Byte		116	False	True	True	
textlist[2342]	Byte		111	False	True	True	
textlist[2343]	Byte		34	False	True	True	
textlist[2344]	Byte		46	False	True	True	
textlist[2345]	Byte		69	False	True	True	
textlist[2346]	Byte		115	False	True	True	
textlist[2347]	Byte		116	False	True	True	
textlist[2348]	Byte		97	False	True	True	
textlist[2349]	Byte		100	False	True	True	
textlist[2350]	Byte		111	False	True	True	
textlist[2351]	Byte		0	False	True	True	
textlist[2352]	Byte		34	False	True	True	
textlist[2353]	Byte		66	False	True	True	
textlist[2354]	Byte		97	False	True	True	
textlist[2355]	Byte		99	False	True	True	
textlist[2356]	Byte		107	False	True	True	
textlist[2357]	Byte		117	False	True	True	
textlist[2358]	Byte		112	False	True	True	
textlist[2359]	Byte		95	False	True	True	
textlist[2360]	Byte		68	False	True	True	
textlist[2361]	Byte		97	False	True	True	
textlist[2362]	Byte		100	False	True	True	
textlist[2363]	Byte		111	False	True	True	
textlist[2364]	Byte		115	False	True	True	
textlist[2365]	Byte		34	False	True	True	
textlist[2366]	Byte		46	False	True	True	
textlist[2367]	Byte		111	False	True	True	
textlist[2368]	Byte		112	False	True	True	
textlist[2369]	Byte		99	False	True	True	
textlist[2370]	Byte		97	False	True	True	
textlist[2371]	Byte		111	False	True	True	
textlist[2372]	Byte		95	False	True	True	
textlist[2373]	Byte		109	False	True	True	
textlist[2374]	Byte		111	False	True	True	
textlist[2375]	Byte		100	False	True	True	
textlist[2376]	Byte		111	False	True	True	

B

C

D

E

F

Owner	Project name	Abastecimento de água V11 - 1212C - Final	Date	6/21/2012
Operator	Project Path	D:\Documents and Settings\Tiago\Desktop\Dissertação Mestrado V11\Abastecimento de água V11 - 1212C - Final		
Designed By	Description 1st	Location		
Checked By	Description 2nd	Language	en-US	
Approved By	1st View	Version	Sheet 12 - 81	

1

2

3

4

A

Name	Data type	Offset	Start value	Retain	Accessible from HMI	Visible in HMI	Comment
textlist[2377]	Byte		95	False	True	True	
textlist[2378]	Byte		102	False	True	True	
textlist[2379]	Byte		117	False	True	True	
textlist[2380]	Byte		110	False	True	True	
textlist[2381]	Byte		99	False	True	True	
textlist[2382]	Byte		105	False	True	True	
textlist[2383]	Byte		111	False	True	True	
textlist[2384]	Byte		110	False	True	True	
textlist[2385]	Byte		97	False	True	True	
textlist[2386]	Byte		109	False	True	True	
textlist[2387]	Byte		101	False	True	True	
textlist[2388]	Byte		110	False	True	True	
textlist[2389]	Byte		116	False	True	True	
textlist[2390]	Byte		111	False	True	True	
textlist[2391]	Byte		0	False	True	True	
textlist[2392]	Byte		34	False	True	True	
textlist[2393]	Byte		73	False	True	True	
textlist[2394]	Byte		110	False	True	True	
textlist[2395]	Byte		102	False	True	True	
textlist[2396]	Byte		111	False	True	True	
textlist[2397]	Byte		95	False	True	True	
textlist[2398]	Byte		83	False	True	True	
textlist[2399]	Byte		105	False	True	True	
textlist[2400]	Byte		115	False	True	True	
textlist[2401]	Byte		116	False	True	True	
textlist[2402]	Byte		101	False	True	True	
textlist[2403]	Byte		109	False	True	True	
textlist[2404]	Byte		97	False	True	True	
textlist[2405]	Byte		34	False	True	True	
textlist[2406]	Byte		46	False	True	True	
textlist[2407]	Byte		77	False	True	True	
textlist[2408]	Byte		111	False	True	True	
textlist[2409]	Byte		100	False	True	True	
textlist[2410]	Byte		111	False	True	True	
textlist[2411]	Byte		95	False	True	True	
textlist[2412]	Byte		100	False	True	True	
textlist[2413]	Byte		101	False	True	True	
textlist[2414]	Byte		95	False	True	True	
textlist[2415]	Byte		70	False	True	True	
textlist[2416]	Byte		117	False	True	True	
textlist[2417]	Byte		110	False	True	True	
textlist[2418]	Byte		99	False	True	True	
textlist[2419]	Byte		105	False	True	True	
textlist[2420]	Byte		111	False	True	True	

B

C

D

E

F

Owner	Project name	Abastecimento de água V11 - 1212C - Final	Date	6/21/2012
Operator	Project Path	D:\Documents and Settings\Tiago\Desktop\Dissertação Mestrado V11\Abastecimento de água V11 - 1212C - Final		
Designed By	Description 1st	Location		
Checked By	Description 2nd	Language	en-US	
Approved By	1st View	Version	Sheet 12 - 82	

1

2

3

4

A

Name	Data type	Offset	Start value	Retain	Accessible from HMI	Visible in HMI	Comment
textlist[2421]	Byte		110	False	True	True	
textlist[2422]	Byte		97	False	True	True	
textlist[2423]	Byte		109	False	True	True	
textlist[2424]	Byte		101	False	True	True	
textlist[2425]	Byte		110	False	True	True	
textlist[2426]	Byte		116	False	True	True	
textlist[2427]	Byte		111	False	True	True	
textlist[2428]	Byte		0	False	True	True	
textlist[2429]	Byte		77	False	True	True	
textlist[2430]	Byte		87	False	True	True	
textlist[2431]	Byte		49	False	True	True	
textlist[2432]	Byte		49	False	True	True	
textlist[2433]	Byte		49	False	True	True	
textlist[2434]	Byte		0	False	True	True	
textlist[2435]	Byte		77	False	True	True	
textlist[2436]	Byte		87	False	True	True	
textlist[2437]	Byte		49	False	True	True	
textlist[2438]	Byte		49	False	True	True	
textlist[2439]	Byte		51	False	True	True	
textlist[2440]	Byte		0	False	True	True	
textlist[2441]	Byte		34	False	True	True	
textlist[2442]	Byte		73	False	True	True	
textlist[2443]	Byte		110	False	True	True	
textlist[2444]	Byte		102	False	True	True	
textlist[2445]	Byte		111	False	True	True	
textlist[2446]	Byte		95	False	True	True	
textlist[2447]	Byte		83	False	True	True	
textlist[2448]	Byte		105	False	True	True	
textlist[2449]	Byte		115	False	True	True	
textlist[2450]	Byte		116	False	True	True	
textlist[2451]	Byte		101	False	True	True	
textlist[2452]	Byte		109	False	True	True	
textlist[2453]	Byte		97	False	True	True	
textlist[2454]	Byte		34	False	True	True	
textlist[2455]	Byte		46	False	True	True	
textlist[2456]	Byte		66	False	True	True	
textlist[2457]	Byte		111	False	True	True	
textlist[2458]	Byte		109	False	True	True	
textlist[2459]	Byte		98	False	True	True	
textlist[2460]	Byte		97	False	True	True	
textlist[2461]	Byte		95	False	True	True	
textlist[2462]	Byte		65	False	True	True	
textlist[2463]	Byte		103	False	True	True	
textlist[2464]	Byte		117	False	True	True	

B

C

D

E

F

Owner	Project name	Abastecimento de água V11 - 1212C - Final	Date	6/21/2012
Operator	Project Path	D:\Documents and Settings\Tiago\Desktop\Dissertação Mestrado V11\Abastecimento de água V11 - 1212C - Final		
Designed By	Description 1st	Location		
Checked By	Description 2nd	Language	en-US	
Approved By	1st View	Version	Sheet 12 - 83	

1

2

3

4

A

Name	Data type	Offset	Start value	Retain	Access- ible from HMI	Visible in HMI	Comment
textlist[2465]	Byte		97	False	True	True	
textlist[2466]	Byte		0	False	True	True	
textlist[2467]	Byte		34	False	True	True	
textlist[2468]	Byte		73	False	True	True	
textlist[2469]	Byte		110	False	True	True	
textlist[2470]	Byte		102	False	True	True	
textlist[2471]	Byte		111	False	True	True	
textlist[2472]	Byte		95	False	True	True	
textlist[2473]	Byte		83	False	True	True	
textlist[2474]	Byte		105	False	True	True	
textlist[2475]	Byte		115	False	True	True	
textlist[2476]	Byte		116	False	True	True	
textlist[2477]	Byte		101	False	True	True	
textlist[2478]	Byte		109	False	True	True	
textlist[2479]	Byte		97	False	True	True	
textlist[2480]	Byte		34	False	True	True	
textlist[2481]	Byte		46	False	True	True	
textlist[2482]	Byte		66	False	True	True	
textlist[2483]	Byte		111	False	True	True	
textlist[2484]	Byte		109	False	True	True	
textlist[2485]	Byte		98	False	True	True	
textlist[2486]	Byte		97	False	True	True	
textlist[2487]	Byte		95	False	True	True	
textlist[2488]	Byte		80	False	True	True	
textlist[2489]	Byte		72	False	True	True	
textlist[2490]	Byte		0	False	True	True	
textlist[2491]	Byte		34	False	True	True	
textlist[2492]	Byte		73	False	True	True	
textlist[2493]	Byte		110	False	True	True	
textlist[2494]	Byte		102	False	True	True	
textlist[2495]	Byte		111	False	True	True	
textlist[2496]	Byte		95	False	True	True	
textlist[2497]	Byte		83	False	True	True	
textlist[2498]	Byte		105	False	True	True	
textlist[2499]	Byte		115	False	True	True	
textlist[2500]	Byte		116	False	True	True	
textlist[2501]	Byte		101	False	True	True	
textlist[2502]	Byte		109	False	True	True	
textlist[2503]	Byte		97	False	True	True	
textlist[2504]	Byte		34	False	True	True	
textlist[2505]	Byte		46	False	True	True	
textlist[2506]	Byte		86	False	True	True	
textlist[2507]	Byte		97	False	True	True	
textlist[2508]	Byte		108	False	True	True	

B

C

D

E

F

Owner	Project name	Abastecimento de água V11 - 1212C - Final	Date	6/21/2012
Operator	Project Path	D:\Documents and Settings\Tiago\Desktop\Dissertação Mestrado V11\Abastecimento de água V11 - 1212C - Final		
Designed By	Description 1st	Location		
Checked By	Description 2nd	Language	en-US	
Approved By	1st View	Version	Sheet 12 - 84	

1

2

3

4

A

Name	Data type	Offset	Start value	Retain	Accessible from HMI	Visible in HMI	Comment
textlist[2509]	Byte		118	False	True	True	
textlist[2510]	Byte		117	False	True	True	
textlist[2511]	Byte		108	False	True	True	
textlist[2512]	Byte		97	False	True	True	
textlist[2513]	Byte		95	False	True	True	
textlist[2514]	Byte		65	False	True	True	
textlist[2515]	Byte		103	False	True	True	
textlist[2516]	Byte		117	False	True	True	
textlist[2517]	Byte		97	False	True	True	
textlist[2518]	Byte		0	False	True	True	
textlist[2519]	Byte		34	False	True	True	
textlist[2520]	Byte		73	False	True	True	
textlist[2521]	Byte		110	False	True	True	
textlist[2522]	Byte		102	False	True	True	
textlist[2523]	Byte		111	False	True	True	
textlist[2524]	Byte		95	False	True	True	
textlist[2525]	Byte		83	False	True	True	
textlist[2526]	Byte		105	False	True	True	
textlist[2527]	Byte		115	False	True	True	
textlist[2528]	Byte		116	False	True	True	
textlist[2529]	Byte		101	False	True	True	
textlist[2530]	Byte		109	False	True	True	
textlist[2531]	Byte		97	False	True	True	
textlist[2532]	Byte		34	False	True	True	
textlist[2533]	Byte		46	False	True	True	
textlist[2534]	Byte		67	False	True	True	
textlist[2535]	Byte		105	False	True	True	
textlist[2536]	Byte		114	False	True	True	
textlist[2537]	Byte		99	False	True	True	
textlist[2538]	Byte		117	False	True	True	
textlist[2539]	Byte		105	False	True	True	
textlist[2540]	Byte		116	False	True	True	
textlist[2541]	Byte		111	False	True	True	
textlist[2542]	Byte		95	False	True	True	
textlist[2543]	Byte		49	False	True	True	
textlist[2544]	Byte		0	False	True	True	
textlist[2545]	Byte		34	False	True	True	
textlist[2546]	Byte		73	False	True	True	
textlist[2547]	Byte		110	False	True	True	
textlist[2548]	Byte		102	False	True	True	
textlist[2549]	Byte		111	False	True	True	
textlist[2550]	Byte		95	False	True	True	
textlist[2551]	Byte		83	False	True	True	
textlist[2552]	Byte		105	False	True	True	

B

C

D

E

F

Owner	Project name	Abastecimento de água V11 - 1212C - Final	Date	6/21/2012
Operator	Project Path	D:\Documents and Settings\Tiago\Desktop\Dissertação Mestrado V11\Abastecimento de água V11 - 1212C - Final		
Designed By	Description 1st	Location		
Checked By	Description 2nd	Language	en-US	
Approved By	1st View	Version	Sheet 12 - 85	

1

2

3

4

A

Name	Data type	Offset	Start value	Retain	Access- ible from HMI	Visible in HMI	Comment
textlist[2553]	Byte		115	False	True	True	
textlist[2554]	Byte		116	False	True	True	
textlist[2555]	Byte		101	False	True	True	
textlist[2556]	Byte		109	False	True	True	
textlist[2557]	Byte		97	False	True	True	
textlist[2558]	Byte		34	False	True	True	
textlist[2559]	Byte		46	False	True	True	
textlist[2560]	Byte		67	False	True	True	
textlist[2561]	Byte		105	False	True	True	
textlist[2562]	Byte		114	False	True	True	
textlist[2563]	Byte		99	False	True	True	
textlist[2564]	Byte		117	False	True	True	
textlist[2565]	Byte		105	False	True	True	
textlist[2566]	Byte		116	False	True	True	
textlist[2567]	Byte		111	False	True	True	
textlist[2568]	Byte		95	False	True	True	
textlist[2569]	Byte		50	False	True	True	
textlist[2570]	Byte		0	False	True	True	
textlist[2571]	Byte		34	False	True	True	
textlist[2572]	Byte		73	False	True	True	
textlist[2573]	Byte		110	False	True	True	
textlist[2574]	Byte		102	False	True	True	
textlist[2575]	Byte		111	False	True	True	
textlist[2576]	Byte		95	False	True	True	
textlist[2577]	Byte		83	False	True	True	
textlist[2578]	Byte		105	False	True	True	
textlist[2579]	Byte		115	False	True	True	
textlist[2580]	Byte		116	False	True	True	
textlist[2581]	Byte		101	False	True	True	
textlist[2582]	Byte		109	False	True	True	
textlist[2583]	Byte		97	False	True	True	
textlist[2584]	Byte		34	False	True	True	
textlist[2585]	Byte		46	False	True	True	
textlist[2586]	Byte		67	False	True	True	
textlist[2587]	Byte		105	False	True	True	
textlist[2588]	Byte		114	False	True	True	
textlist[2589]	Byte		99	False	True	True	
textlist[2590]	Byte		117	False	True	True	
textlist[2591]	Byte		105	False	True	True	
textlist[2592]	Byte		116	False	True	True	
textlist[2593]	Byte		111	False	True	True	
textlist[2594]	Byte		95	False	True	True	
textlist[2595]	Byte		51	False	True	True	
textlist[2596]	Byte		0	False	True	True	

B

C

D

E

F

Owner	Project name	Abastecimento de água V11 - 1212C - Final	Date	6/21/2012
Operator	Project Path	D:\Documents and Settings\Tiago\Desktop\Dissertação Mestrado V11\Abastecimento de água V11 - 1212C - Final		
Designed By	Description 1st	Location		
Checked By	Description 2nd	Language	en-US	
Approved By	1st View	Version	Sheet 12 - 86	

1

2

3

4

A

Name	Data type	Offset	Start value	Retain	Accessible from HMI	Visible in HMI	Comment
textlist[2597]	Byte		34	False	True	True	
textlist[2598]	Byte		73	False	True	True	
textlist[2599]	Byte		110	False	True	True	
textlist[2600]	Byte		102	False	True	True	
textlist[2601]	Byte		111	False	True	True	
textlist[2602]	Byte		95	False	True	True	
textlist[2603]	Byte		83	False	True	True	
textlist[2604]	Byte		105	False	True	True	
textlist[2605]	Byte		115	False	True	True	
textlist[2606]	Byte		116	False	True	True	
textlist[2607]	Byte		101	False	True	True	
textlist[2608]	Byte		109	False	True	True	
textlist[2609]	Byte		97	False	True	True	
textlist[2610]	Byte		34	False	True	True	
textlist[2611]	Byte		46	False	True	True	
textlist[2612]	Byte		67	False	True	True	
textlist[2613]	Byte		105	False	True	True	
textlist[2614]	Byte		114	False	True	True	
textlist[2615]	Byte		99	False	True	True	
textlist[2616]	Byte		117	False	True	True	
textlist[2617]	Byte		105	False	True	True	
textlist[2618]	Byte		116	False	True	True	
textlist[2619]	Byte		111	False	True	True	
textlist[2620]	Byte		95	False	True	True	
textlist[2621]	Byte		52	False	True	True	
textlist[2622]	Byte		0	False	True	True	
textlist[2623]	Byte		34	False	True	True	
textlist[2624]	Byte		73	False	True	True	
textlist[2625]	Byte		110	False	True	True	
textlist[2626]	Byte		102	False	True	True	
textlist[2627]	Byte		111	False	True	True	
textlist[2628]	Byte		95	False	True	True	
textlist[2629]	Byte		83	False	True	True	
textlist[2630]	Byte		105	False	True	True	
textlist[2631]	Byte		115	False	True	True	
textlist[2632]	Byte		116	False	True	True	
textlist[2633]	Byte		101	False	True	True	
textlist[2634]	Byte		109	False	True	True	
textlist[2635]	Byte		97	False	True	True	
textlist[2636]	Byte		34	False	True	True	
textlist[2637]	Byte		46	False	True	True	
textlist[2638]	Byte		67	False	True	True	
textlist[2639]	Byte		105	False	True	True	
textlist[2640]	Byte		114	False	True	True	

B

C

D

E

F

Owner	Project name	Abastecimento de água V11 - 1212C - Final	Date	6/21/2012
Operator	Project Path	D:\Documents and Settings\Tiago\Desktop\Dissertação Mestrado V11\Abastecimento de água V11 - 1212C - Final		
Designed By	Description 1st	Location		
Checked By	Description 2nd	Language	en-US	
Approved By	1st View	Version	Sheet 12 - 87	

1

2

3

4

A

Name	Data type	Offset	Start value	Retain	Accessible from HMI	Visible in HMI	Comment
textlist[2641]	Byte		99	False	True	True	
textlist[2642]	Byte		117	False	True	True	
textlist[2643]	Byte		105	False	True	True	
textlist[2644]	Byte		116	False	True	True	
textlist[2645]	Byte		111	False	True	True	
textlist[2646]	Byte		95	False	True	True	
textlist[2647]	Byte		53	False	True	True	
textlist[2648]	Byte		0	False	True	True	
textlist[2649]	Byte		34	False	True	True	
textlist[2650]	Byte		73	False	True	True	
textlist[2651]	Byte		110	False	True	True	
textlist[2652]	Byte		102	False	True	True	
textlist[2653]	Byte		111	False	True	True	
textlist[2654]	Byte		95	False	True	True	
textlist[2655]	Byte		83	False	True	True	
textlist[2656]	Byte		105	False	True	True	
textlist[2657]	Byte		115	False	True	True	
textlist[2658]	Byte		116	False	True	True	
textlist[2659]	Byte		101	False	True	True	
textlist[2660]	Byte		109	False	True	True	
textlist[2661]	Byte		97	False	True	True	
textlist[2662]	Byte		34	False	True	True	
textlist[2663]	Byte		46	False	True	True	
textlist[2664]	Byte		65	False	True	True	
textlist[2665]	Byte		103	False	True	True	
textlist[2666]	Byte		117	False	True	True	
textlist[2667]	Byte		97	False	True	True	
textlist[2668]	Byte		95	False	True	True	
textlist[2669]	Byte		66	False	True	True	
textlist[2670]	Byte		111	False	True	True	
textlist[2671]	Byte		109	False	True	True	
textlist[2672]	Byte		98	False	True	True	
textlist[2673]	Byte		97	False	True	True	
textlist[2674]	Byte		0	False	True	True	
textlist[2675]	Byte		34	False	True	True	
textlist[2676]	Byte		73	False	True	True	
textlist[2677]	Byte		110	False	True	True	
textlist[2678]	Byte		102	False	True	True	
textlist[2679]	Byte		111	False	True	True	
textlist[2680]	Byte		95	False	True	True	
textlist[2681]	Byte		83	False	True	True	
textlist[2682]	Byte		105	False	True	True	
textlist[2683]	Byte		115	False	True	True	
textlist[2684]	Byte		116	False	True	True	

B

C

D

E

F

Owner	Project name	Abastecimento de água V11 - 1212C - Final	Date	6/21/2012
Operator	Project Path	D:\Documents and Settings\Tiago\Desktop\Dissertação Mestrado V11\Abastecimento de água V11 - 1212C - Final		
Designed By	Description 1st	Location		
Checked By	Description 2nd	Language	en-US	
Approved By	1st View	Version	Sheet 12 - 88	

1

2

3

4

A

Name	Data type	Offset	Start value	Retain	Accessible from HMI	Visible in HMI	Comment
textlist[2685]	Byte		101	False	True	True	
textlist[2686]	Byte		109	False	True	True	
textlist[2687]	Byte		97	False	True	True	
textlist[2688]	Byte		34	False	True	True	
textlist[2689]	Byte		46	False	True	True	
textlist[2690]	Byte		78	False	True	True	
textlist[2691]	Byte		105	False	True	True	
textlist[2692]	Byte		118	False	True	True	
textlist[2693]	Byte		101	False	True	True	
textlist[2694]	Byte		108	False	True	True	
textlist[2695]	Byte		95	False	True	True	
textlist[2696]	Byte		80	False	True	True	
textlist[2697]	Byte		72	False	True	True	
textlist[2698]	Byte		0	False	True	True	
textlist[2699]	Byte		34	False	True	True	
textlist[2700]	Byte		73	False	True	True	
textlist[2701]	Byte		110	False	True	True	
textlist[2702]	Byte		102	False	True	True	
textlist[2703]	Byte		111	False	True	True	
textlist[2704]	Byte		95	False	True	True	
textlist[2705]	Byte		83	False	True	True	
textlist[2706]	Byte		105	False	True	True	
textlist[2707]	Byte		115	False	True	True	
textlist[2708]	Byte		116	False	True	True	
textlist[2709]	Byte		101	False	True	True	
textlist[2710]	Byte		109	False	True	True	
textlist[2711]	Byte		97	False	True	True	
textlist[2712]	Byte		34	False	True	True	
textlist[2713]	Byte		46	False	True	True	
textlist[2714]	Byte		65	False	True	True	
textlist[2715]	Byte		108	False	True	True	
textlist[2716]	Byte		97	False	True	True	
textlist[2717]	Byte		114	False	True	True	
textlist[2718]	Byte		109	False	True	True	
textlist[2719]	Byte		101	False	True	True	
textlist[2720]	Byte		95	False	True	True	
textlist[2721]	Byte		80	False	True	True	
textlist[2722]	Byte		72	False	True	True	
textlist[2723]	Byte		0	False	True	True	
textlist[2724]	Byte		34	False	True	True	
textlist[2725]	Byte		73	False	True	True	
textlist[2726]	Byte		110	False	True	True	
textlist[2727]	Byte		102	False	True	True	
textlist[2728]	Byte		111	False	True	True	

B

C

D

E

F

Owner	Project name	Abastecimento de água V11 - 1212C - Final	Date	6/21/2012
Operator	Project Path	D:\Documents and Settings\Tiago\Desktop\Dissertação Mestrado V11\Abastecimento de água V11 - 1212C - Final		
Designed By	Description 1st	Location		
Checked By	Description 2nd	Language	en-US	
Approved By	1st View	Version	Sheet 12 - 89	

1

2

3

4

A

Name	Data type	Offset	Start value	Retain	Access- ible from HMI	Visible in HMI	Comment
textlist[2729]	Byte		95	False	True	True	
textlist[2730]	Byte		83	False	True	True	
textlist[2731]	Byte		105	False	True	True	
textlist[2732]	Byte		115	False	True	True	
textlist[2733]	Byte		116	False	True	True	
textlist[2734]	Byte		101	False	True	True	
textlist[2735]	Byte		109	False	True	True	
textlist[2736]	Byte		97	False	True	True	
textlist[2737]	Byte		34	False	True	True	
textlist[2738]	Byte		46	False	True	True	
textlist[2739]	Byte		80	False	True	True	
textlist[2740]	Byte		97	False	True	True	
textlist[2741]	Byte		114	False	True	True	
textlist[2742]	Byte		97	False	True	True	
textlist[2743]	Byte		103	False	True	True	
textlist[2744]	Byte		101	False	True	True	
textlist[2745]	Byte		109	False	True	True	
textlist[2746]	Byte		95	False	True	True	
textlist[2747]	Byte		69	False	True	True	
textlist[2748]	Byte		109	False	True	True	
textlist[2749]	Byte		101	False	True	True	
textlist[2750]	Byte		114	False	True	True	
textlist[2751]	Byte		103	False	True	True	
textlist[2752]	Byte		101	False	True	True	
textlist[2753]	Byte		110	False	True	True	
textlist[2754]	Byte		99	False	True	True	
textlist[2755]	Byte		105	False	True	True	
textlist[2756]	Byte		97	False	True	True	
textlist[2757]	Byte		0	False	True	True	
textlist[2758]	Byte		34	False	True	True	
textlist[2759]	Byte		73	False	True	True	
textlist[2760]	Byte		110	False	True	True	
textlist[2761]	Byte		102	False	True	True	
textlist[2762]	Byte		111	False	True	True	
textlist[2763]	Byte		95	False	True	True	
textlist[2764]	Byte		83	False	True	True	
textlist[2765]	Byte		105	False	True	True	
textlist[2766]	Byte		115	False	True	True	
textlist[2767]	Byte		116	False	True	True	
textlist[2768]	Byte		101	False	True	True	
textlist[2769]	Byte		109	False	True	True	
textlist[2770]	Byte		97	False	True	True	
textlist[2771]	Byte		34	False	True	True	
textlist[2772]	Byte		46	False	True	True	

B

C

D

E

F

Owner	Project name	Abastecimento de água V11 - 1212C - Final	Date	6/21/2012
Operator	Project Path	D:\Documents and Settings\Tiago\Desktop\Dissertação Mestrado V11\Abastecimento de água V11 - 1212C - Final		
Designed By	Description 1st	Location		
Checked By	Description 2nd	Language	en-US	
Approved By	1st View	Version	Sheet 12 - 90	

1

2

3

4

A

Name	Data type	Offset	Start value	Retain	Accessible from HMI	Visible in HMI	Comment
textlist[2773]	Byte		77	False	True	True	
textlist[2774]	Byte		97	False	True	True	
textlist[2775]	Byte		110	False	True	True	
textlist[2776]	Byte		117	False	True	True	
textlist[2777]	Byte		116	False	True	True	
textlist[2778]	Byte		101	False	True	True	
textlist[2779]	Byte		110	False	True	True	
textlist[2780]	Byte		99	False	True	True	
textlist[2781]	Byte		97	False	True	True	
textlist[2782]	Byte		111	False	True	True	
textlist[2783]	Byte		95	False	True	True	
textlist[2784]	Byte		66	False	True	True	
textlist[2785]	Byte		111	False	True	True	
textlist[2786]	Byte		109	False	True	True	
textlist[2787]	Byte		98	False	True	True	
textlist[2788]	Byte		97	False	True	True	
textlist[2789]	Byte		0	False	True	True	
textlist[2790]	Byte		0	False	True	True	

C

D

E

F

Owner	Project name	Abastecimento de água V11 - 1212C - Final	Date	6/21/2012
Operator	Project Path	D:\Documents and Settings\Tiago\Desktop\Dissertação Mestrado V11\Abastecimento de água V11 - 1212C - Final		
	Location			
Designed By	Description 1st			
Checked By	Description 2nd	Language	en-US	
Approved By	1st View	Version	Sheet 12 - 91	

